

PLEASE CHECK WWW.MOLEX.COM FOR LATEST PART INFORMATION

Part Number: [0481460011](#)
Status: **Active**
Overview: [modular_plugs_jacks](#)
Description: Modular Jack, Right Angle, Low Profile, Inverted, Shielded, with LEDs, 8/8, LED Color: Left (Green); Right (Amber), Lead Free

Documents:

[3D Model](#) [Product Specification PS-48146-001 \(PDF\)](#)
[Drawing \(PDF\)](#) [RoHS Certificate of Compliance \(PDF\)](#)

General

Product Family	Modular Jacks/Plugs
Series	48146
Comments	With LED
Component Type	PCB Jack
Magnetic	No
Overview	modular_plugs_jacks
Performance Category	5
Power over Ethernet (PoE)	N/A
Product Name	RJ45
Physical	
Boot Color	N/A
Color - Resin	Black
Durability (mating cycles max)	750
Inverted / Top Latch	Yes
Keying to Mating Part	Yes
Lightpipes/LEDs	LEDs
Material - Metal	Brass, Phosphor Bronze
Material - Plating Mating	Gold
Material - Plating Termination	Tin
Material - Resin	High Temperature Thermoplastic
Orientation	Right Angle (Side Entry)
PCB Locator	Yes
PCB Retention	Yes
PCB Thickness Recommended (in)	0.062 In
PCB Thickness Recommended (mm)	1.60 mm
Packaging Type	Tray
Panel Mount	Without Flange
Pitch - Mating Interface (in)	0.080 In
Pitch - Mating Interface (mm)	2.03 mm
Pitch - Term. Interface (in)	0.080 In
Pitch - Term. Interface (mm)	2.03 mm
Plating min: Mating (µin)	50
Plating min: Mating (µm)	1.27
Plating min: Termination (µin)	100
Plating min: Termination (µm)	2.54
Ports	1
Positions / Loaded Contacts	8/8
Surface Mount Compatible (SMC)	No
Temperature Range - Operating	-40°C to +85°C
Termination Interface: Style	Through Hole
Wire/Cable Type	N/A

Electrical

Current - Maximum per Contact 1.5A

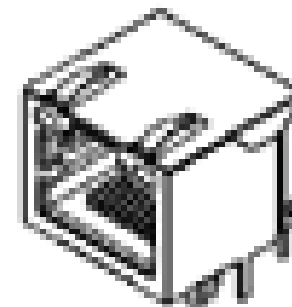


image - Reference only

Series

EU RoHS

**ELV and RoHS
Compliant**
REACH SVHC
 Not Reviewed
**Halogen-Free
Status**
 Not Reviewed

China RoHS



**Need more information on product
environmental compliance?**

Email productcompliance@molex.com
 For a multiple part number RoHS Certificate of
 Compliance, [click here](#)

Please visit the [Contact Us](#) section for any
 non-product compliance questions.

Search Parts in this Series

[48146Series](#)

Mates With

FCC 68 Plugs

Grounding to PCB
Grounding to Panel
Shielded
Voltage - Maximum

No
Panel Ground Tab
Yes
150V AC

Material Info

Reference - Drawing Numbers

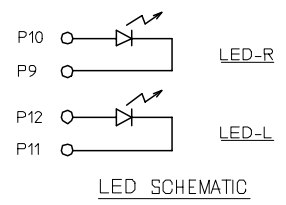
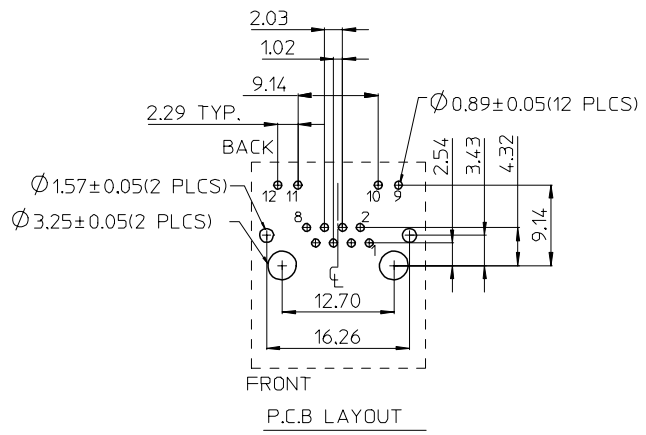
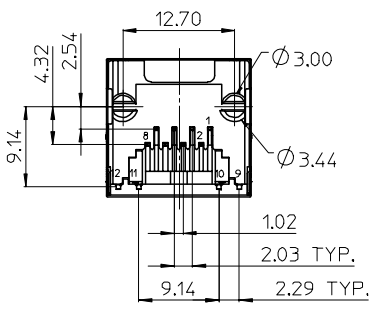
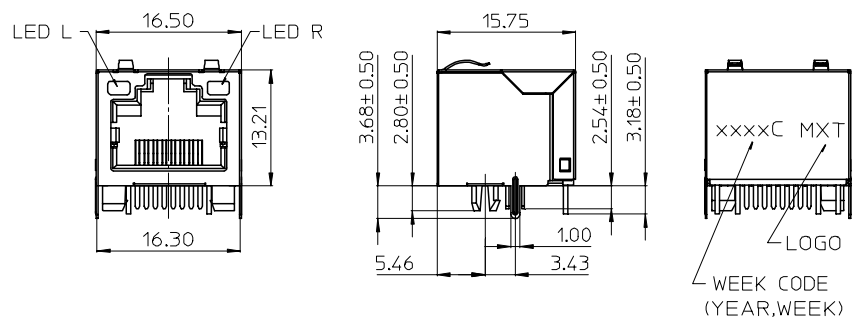
Packaging Specification	PK-48146-001
Product Specification	PS-48146-001
Sales Drawing	SD-48146-001
Test Summary	TS-48146-001

This document was generated on 06/07/2010

PLEASE CHECK WWW.MOLEX.COM FOR LATEST PART INFORMATION

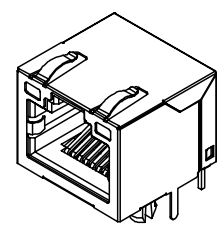
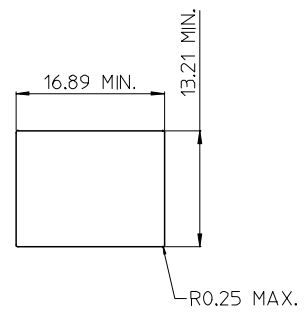
10 9 8 7 6 5 4 3 2 1

NOTES:
 1.MATERIAL:
 METAL SHELL: BRASS
 HOUSING: HIGH TEMP THERMOPLASTIC,UL94V-0,COLOR:BLACK
 INSERT: HIGH TEMP THERMOPLASTIC,UL94V-0,COLOR:BLACK
 TERMINAL: PHOSPHOR BRONZE
 2.PLATING:
 TERMINAL:
 CONTACT AREA: GOLD(Au),THICKNESS=50 MICROINCH/1.27 MICROMETER
 SOLDER TAIL: TIN(Sn),THICKNESS=100 MICROINCH MINIMUM,
 UNDER PLATE: NICKEL (Ni).
 METAL SHELL:
 SOLDER TAIL: TIN(Sn),THICKNESS=100 MICROINCH MINIMUM,
 UNDER PLATE: NICKEL (Ni),(SOLDERING AVAILABLE)
 SURFACE APPEARANCE: BRIGHT.
 3.RECOMMENDED PCB THICKNESS: 1.60±0.05
 4.PRODUCT SPECIFICATION REFER TO PS-48146-001
 5.TEST SUMMARY REFER TO TS-48146-001
 6.PACKAGING SPECIFICATION REFER TO PK-48146-001.
 7.LEAD FREE AND ROHS COMPLIANT PRODUCT.



LED ELECTRICAL SPECIFICATION

PARAMETER	GREEN (TYP.)	AMBER (TYP.)	UNITS	TEST CONDITIONS
POWER DISSIPATION	105	100	mW	
REVERSE VOLTAGE	5	5	V	
PEAK WAVELENGTH	565	600	nm	IF=20mA
FORWARD VOLTAGE	2.2 MAX.=2.5	2.1 MAX.=2.5	V	IF=20mA



P/N	LED COLOR	
	LEFT	RIGHT
48146-0001	GREEN	GREEN
48146-0011	GREEN	AMBER
48146-0010	AMBER	GREEN

ADD NEW P/N EC NO: SH2007-0138 DRWN:ALLIN 2006/09/12 CHKD: 2006/09/13 APPR:WWSCHANG 2006/09/13	QUALITY SYMBOLS ▽=0 ▽=0	GENERAL TOLERANCES (UNLESS SPECIFIED) mm INCH 4 PLACES ± --- ± --- 3 PLACES ± --- ± --- 2 PLACES ± 0.25 ± --- 1 PLACE ± 0.25 ± --- ANGULAR ± 3 °	DIMENSION STYLE MM ONLY DRAWN BY DATE LINDA 2004/07/27 CHECKED BY DATE ALL IN 2004/07/27 APPROVED BY DATE WWSCHANG 2004/07/27	SCALE 1:1 DESIGN UNITS METRIC THIRD ANGLE PROJECTION	TITLE CATEGORY 5 MODULAR JACK 8 POSITION, 8 CONTACTS
	DRAFT WHERE APPLICABLE MUST REMAIN WITHIN DIMENSIONS		MATERIAL NO. SEE TABLE	DOCUMENT NO. SD-48146-001	SHEET NO. 1 OF 1
	MOLEX INCORPORATED				
	THIS DRAWING CONTAINS INFORMATION THAT IS PROPRIETARY TO MOLEX INCORPORATED AND SHOULD NOT BE USED WITHOUT WRITTEN PERMISSION				

9 8 7 6 5 4 3 2 1