

**PLEASE CHECK WWW.MOLEX.COM FOR LATEST PART INFORMATION**

**Part Number:** **0473622010**  
**Status:** **Active**  
**Overview:** serial ata 127 host receptacles  
**Description:** 1.27mm (.050") Pitch Combo SATA Cable Connector, Right Angle Type, with Arris on top surface, with bumps, Gold(Au) Flash Plating, 22 Circuits, Lead Free

**Documents:**

[3D Model](#) [Product Specification PS-47362-001 \(PDF\)](#)  
[Drawing \(PDF\)](#) [RoHS Certificate of Compliance \(PDF\)](#)

**General**

Product Family	I/O Connectors
Series	<a href="#">47362</a>
Application	Wire-to-Board
Comments	Right Angle Type
Component Type	Receptacle
Overview	<a href="#">serial ata 127 host receptacles</a>
Product Name	Serial ATA
Type	N/A

**Physical**

Boot Color	N/A
Circuits (Loaded)	22
Circuits (maximum)	22
Circuits Detail	Signal 7, Power 15
Color - Resin	Black
Durability (mating cycles max)	50
Gender	Receptacle
Keying to Mating Part	Yes
Lock to Mating Part	Yes
Material - Metal	Copper Alloy
Material - Plating Mating	Gold
Material - Plating Termination	Tin
Number of Rows	1
Orientation	Right Angle
PCB Locator	No
PCB Retention	None
PCB Thickness Recommended (in)	0.039 In
PCB Thickness Recommended (mm)	1.00 mm
Packaging Type	Tray
Panel Mount	Yes
Pitch - Mating Interface (in)	0.050 In
Pitch - Mating Interface (mm)	1.27 mm
Pitch - Term. Interface (in)	0.050 In
Pitch - Term. Interface (mm)	1.27 mm
Plating min: Mating (µin)	2
Plating min: Mating (µm)	0.05
Plating min: Termination (µin)	50
Plating min: Termination (µm)	1.27
Polarized to Mating Part	Yes
Polarized to PCB	Yes
Ports	2
Temperature Range - Operating	-35°C to +85°C
Termination Interface: Style	Through Hole
Waterproof / Dustproof	No
Wire Size AWG	N/A



*image - Reference only*

*Series*

**EU RoHS**

**ELV and RoHS  
Compliant**  
**REACH SVHC  
Not Reviewed**  
**Halogen-Free  
Status  
Not Reviewed**

**China RoHS**



**Need more information on product  
environmental compliance?**

Email [productcompliance@molex.com](mailto:productcompliance@molex.com)  
 For a multiple part number RoHS Certificate of Compliance, [click here](#)

Please visit the [Contact Us](#) section for any non-product compliance questions.

**Search Parts in this Series**  
[47362Series](#)

**Electrical**

Current - Maximum per Contact	1.5A
Voltage - Maximum	15V DC

**Material Info****Reference - Drawing Numbers**

Packaging Specification	PK-47362-001
Product Specification	PS-47362-001
Sales Drawing	SD-47362-100

This document was generated on 05/19/2010

**PLEASE CHECK [WWW.MOLEX.COM](http://WWW.MOLEX.COM) FOR LATEST PART INFORMATION**

10 9 8 7 6 5 4 3 2 1

F

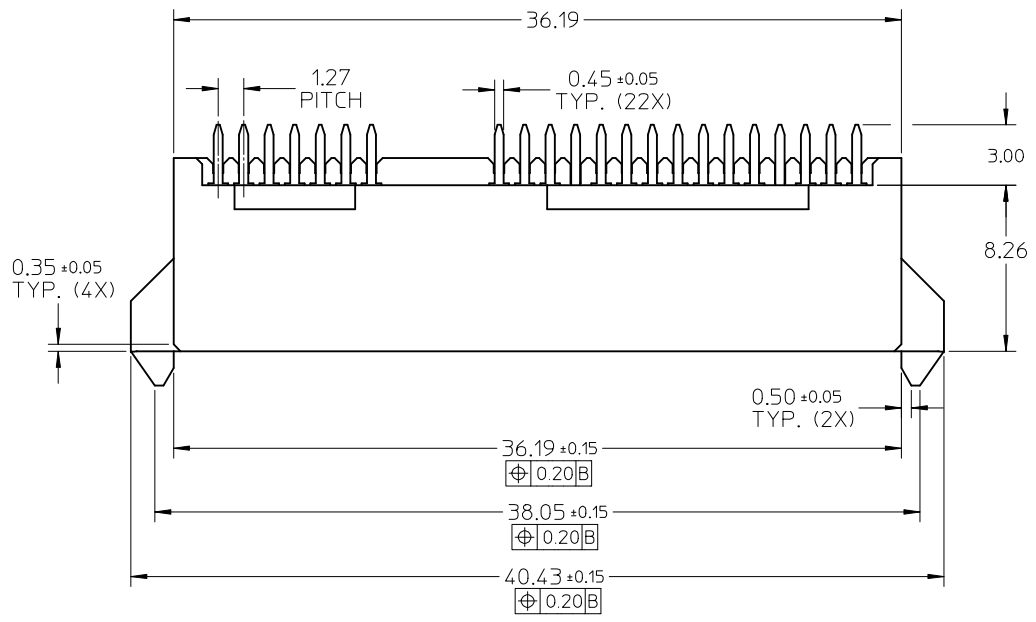
E

D

C

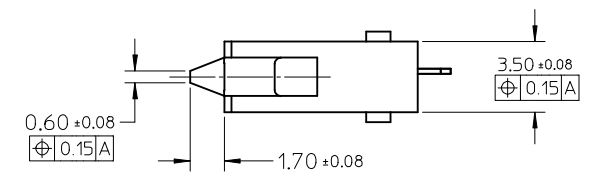
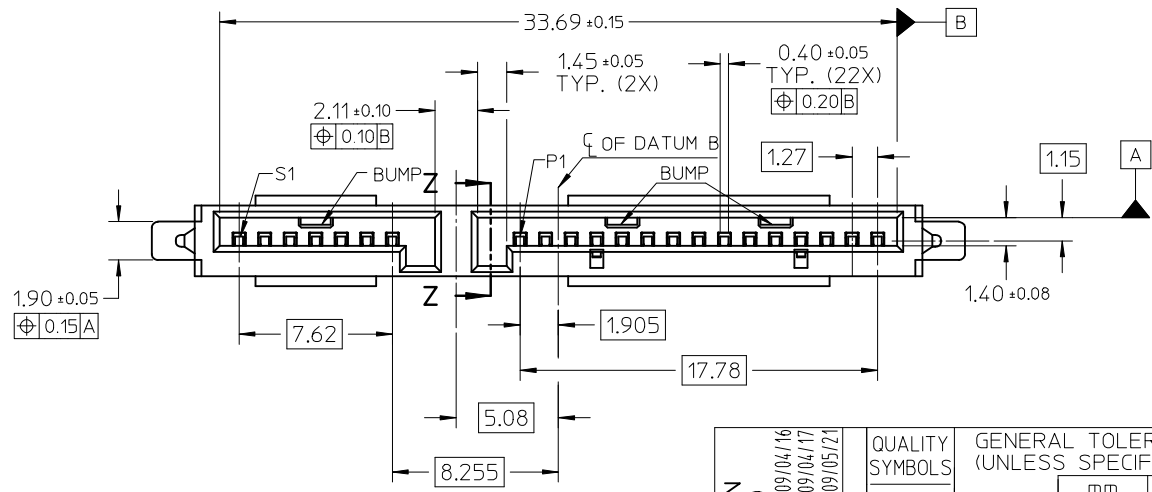
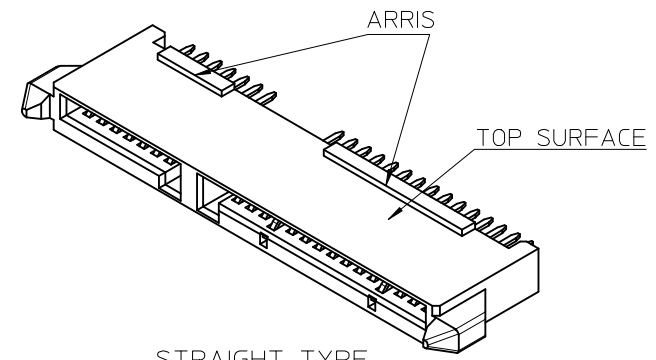
B

A



NOTES:

- 1. MATERIAL:**  
HOUSING: THERMAL PLASTIC, GLASS FILLED, UL94V-0, COLOR: BLACK.  
TERMINAL: COPPER ALLOY, THICKNESS=0.25MM.
- 2. TERMINAL PLATING:**  
CONTACT AREA: GOLD PLATED, SEE TABLE.  
SOLDER AREA: PURE TIN, THICKNESS=1.27 MICRONS MINIMUM.  
UNDER PLATE: NICKLE, THICKNESS=1.27 MICRONS MINIMUM.
- 3. PRODUCT SPECIFICATION:** REFER TO PS-47362-001.
- 4. PACKAGING METHOD:** REFER TO PK-47362-001.
- 5. PRODUCT COMPLIANT TO RoHS DIRECTIVE 2002/95/EC AND ELV DIRECTIVE 2000/53/EC**



ADD NEW OPTION	REV	DESCRIPTION
EC NO: SH2009-0500		
DRWN: XJ SONG	2009/04/16	
CHKD: XJ SONG	2009/04/17	
APPR: H WANG	2009/05/21	

QUALITY SYMBOLS	DESCRIPTION
▽=0	
▽=0	

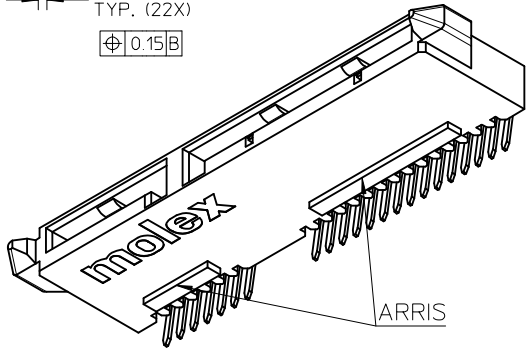
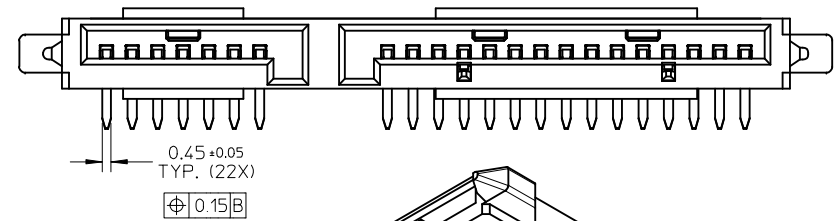
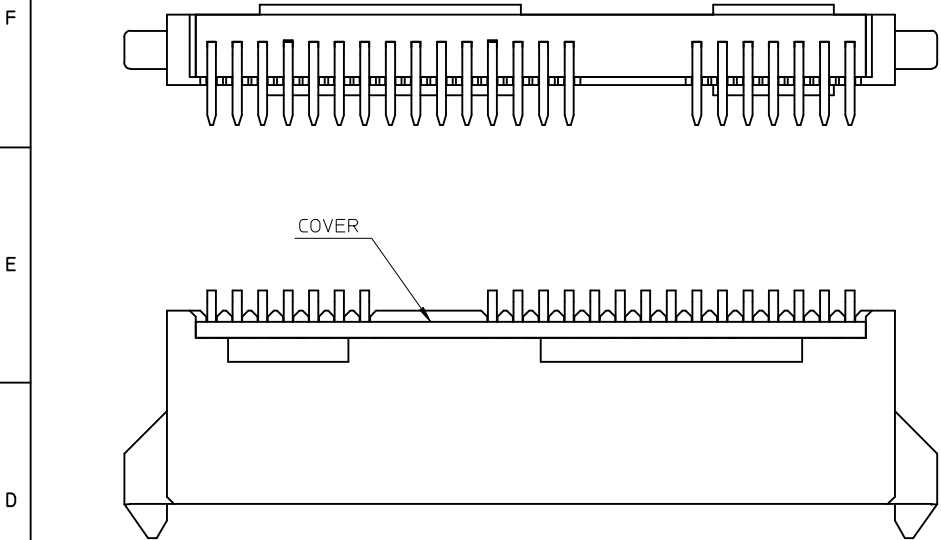
GENERAL TOLERANCES (UNLESS SPECIFIED)	mm	INCH	
	4 PLACES	± ---	± ---
	3 PLACES	± ---	± ---
	2 PLACES	± 0.2	± ---
	1 PLACE	± 0.25	± ---
ANGULAR ± 3 °			
DRAFT WHERE APPLICABLE MUST REMAIN WITHIN DIMENSIONS			

DIMENSION STYLE		SCALE	DESIGN UNITS	THIRD ANGLE PROJECTION
MM ONLY		4:1	METRIC	
DRAWN BY	DATE	TITLE		
BCHEN26	2005/12/05	COMBO SATA RECEPTACLE CABLE END		
CHECKED BY	DATE	MOLEX INCORPORATED		
DIXON	2005/12/05			
APPROVED BY	DATE			
GRATE	2005/12/05			
MATERIAL NO.		DOCUMENT NO.		SHEET NO.
SEE SHEET 4		SD-47362-100		1 OF 4

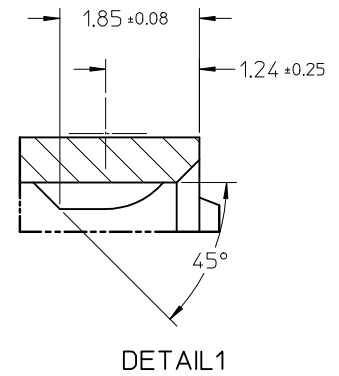
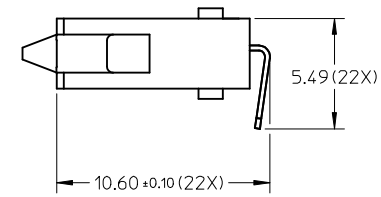
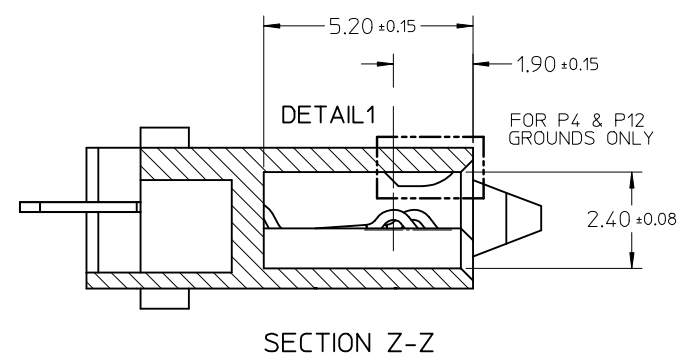
COMBO SATA RECEPTACLE CABLE END			
MOLEX INCORPORATED			
MATERIAL NO.		DOCUMENT NO.	
SEE SHEET 4		SD-47362-100	
THIS DRAWING CONTAINS INFORMATION THAT IS PROPRIETARY TO MOLEX INCORPORATED AND SHOULD NOT BE USED WITHOUT WRITTEN PERMISSION			

9 8 7 6 5 4 3 2 1

10 9 8 7 6 5 4 3 2 1



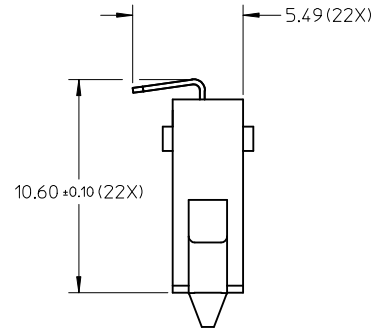
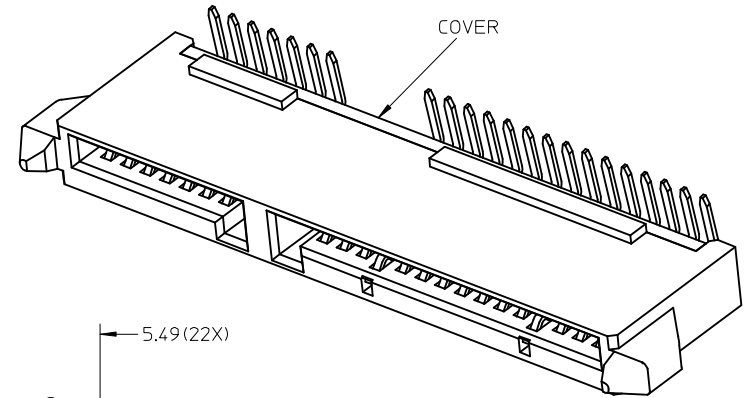
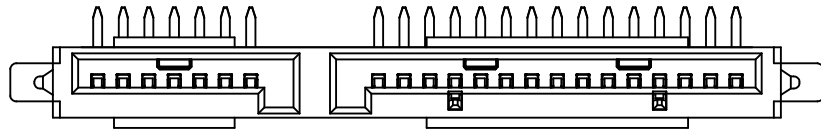
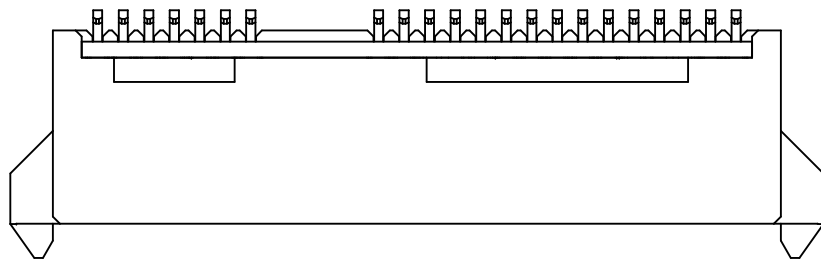
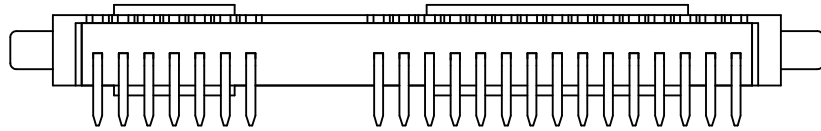
RIGHT ANGLE(90 DEGREE) TYPE  
OTHER DIMENSIONS REFER TO STRAIGHT TYPE



SEE SHEET 1 IEC NO: SH2009-0500 DRWN: XJ SONG 2009/04/16 CHKD: XJ SONG 2009/04/17 APPR: HWANG 2009/05/21	QUALITY SYMBOLS ▽=0 ◻=0	GENERAL TOLERANCES (UNLESS SPECIFIED) mm INCH 4 PLACES ± --- ± --- 3 PLACES ± --- ± --- 2 PLACES ± 0.2 ± --- 1 PLACE ± 0.25 ± --- ANGULAR ± 3 °	DIMENSION STYLE MM ONLY DRAWN BY: BCHEN26 CHECKED BY: DIXON APPROVED BY: GRATE MATERIAL NO.	DATE: 2005/12/05 DATE: 2005/12/05 DATE: 2005/12/05	SCALE: 4:1 DESIGN UNITS: METRIC THIRD ANGLE PROJECTION	TITLE: COMBO SATA RECEPTACLE CABLE END	MOLEX INCORPORATED DOCUMENT NO. SD-47362-100	SHEET NO. 2 OF 4	
	DRAFT WHERE APPLICABLE MUST REMAIN WITHIN DIMENSIONS	SEE SHEET 4	THIS DRAWING CONTAINS INFORMATION THAT IS PROPRIETARY TO MOLEX INCORPORATED AND SHOULD NOT BE USED WITHOUT WRITTEN PERMISSION						

9 8 7 6 5 4 3 2 1

10 9 8 7 6 5 4 3 2 1



RIGHT ANGLE(270 DEGREE) TYPE  
OTHER DIMENSIONS REFER TO RIGHT ANGLE(90 DEGREE) TYPE

SEE SHEET 1 EC NO: SH2009-0500 DRWN: XJ SONG 2009/04/16 CHKD: XJ SONG 2009/04/17 APPR: H WANG 2009/05/21	QUALITY SYMBOLS ▽ = 0 ▽ = 0	GENERAL TOLERANCES (UNLESS SPECIFIED)		DIMENSION STYLE MM ONLY		SCALE 4:1	DESIGN UNITS METRIC	THIRD ANGLE PROJECTION	
			mm	INCH	DRAWN BY BCHEN26	DATE 2005/12/05	TITLE COMBO SATA RECEPTACLE CABLE END		
		4 PLACES	± ---	± ---	CHECKED BY DIXON	DATE 2005/12/05	MOLEX INCORPORATED		
		3 PLACES	± ---	± ---	APPROVED BY GRATE	DATE 2005/12/05	DOCUMENT NO. SD-47362-100	SHEET NO. 3 OF 4	
	2 PLACES	± 0.2	± ---	MATERIAL NO. SEE SHEET 4		THIS DRAWING CONTAINS INFORMATION THAT IS PROPRIETARY TO MOLEX INCORPORATED AND SHOULD NOT BE USED WITHOUT WRITTEN PERMISSION			
	1 PLACE	± 0.25	± ---	ANGULAR ± 3 °					
DRAFT WHERE APPLICABLE MUST REMAIN WITHIN DIMENSIONS									

9 8 7 6 5 4 3 2 1

10	9	8	7	6	5	4	3	2	1
P/N	PLATE TYPE	REMARK	STRAIGHT OR R/A	P/N	PLATE TYPE	REMARK	STRAIGHT OR R/A		
47362-1000	GOLD FLASH			47362-3000	GOLD FLASH				
47362-1001	GOLD PLATED 0.76 MICRONS MIN.	WITH ARRIS ON BOTH SURFACE	STRAIGHT TYPE	47362-3001	GOLD PLATED 0.76 MICRONS MIN.	WITH ARRIS ON BOTH SURFACE	RIGHT ANGLE TYPE (270 DEGREE)		
47362-1002	GOLD PLATED 0.38 MICRONS MIN.	WITH BUMPS		47362-3002	GOLD PLATED 0.38 MICRONS MIN.	WITH BUMPS,WITH COVER			
47362-1010	GOLD FLASH			47362-3010	GOLD FLASH				
47362-1011	GOLD PLATED 0.76 MICRONS MIN.	WITH ARRIS ON TOP SURFACE		47362-3011	GOLD PLATED 0.76 MICRONS MIN.	WITH ARRIS ON TOP SURFACE			
47362-1012	GOLD PLATED 0.38 MICRONS MIN.	WITH BUMPS		47362-3012	GOLD PLATED 0.38 MICRONS MIN.	WITH BUMPS,WITH COVER			
47362-1020	GOLD FLASH			47362-3020	GOLD FLASH				
47362-1021	GOLD PLATED 0.76 MICRONS MIN.	WITH ARRIS ON BOTTOM SURFACE		47362-3021	GOLD PLATED 0.76 MICRONS MIN.	WITH ARRIS ON BOTTOM SURFACE			
47362-1022	GOLD PLATED 0.38 MICRONS MIN.	WITH BUMPS		47362-3022	GOLD PLATED 0.38 MICRONS MIN.	WITH BUMPS,WITH COVER			
47362-1030	GOLD FLASH			47362-3030	GOLD FLASH				
47362-1031	GOLD PLATED 0.76 MICRONS MIN.	WITHOUT ARRIS		47362-3031	GOLD PLATED 0.76 MICRONS MIN.	WITHOUT ARRIS			
47362-1032	GOLD PLATED 0.38 MICRONS MIN.	WITH BUMPS	47362-3032	GOLD PLATED 0.38 MICRONS MIN.	WITH BUMPS,WITH COVER				
47362-2000	GOLD FLASH		RIGHT ANGLE TYPE (90 DEGREE)						
47362-2001	GOLD PLATED 0.76 MICRONS MIN.	WITH ARRIS ON BOTH SURFACE							
47362-2002	GOLD PLATED 0.38 MICRONS MIN.	WITH BUMPS,WITH COVER							
47362-2010	GOLD FLASH								
47362-2011	GOLD PLATED 0.76 MICRONS MIN.	WITH ARRIS ON TOP SURFACE							
47362-2012	GOLD PLATED 0.38 MICRONS MIN.	WITH BUMPS,WITH COVER							
47362-2020	GOLD FLASH								
47362-2021	GOLD PLATED 0.76 MICRONS MIN.	WITH ARRIS ON BOTTOM SURFACE							
47362-2022	GOLD PLATED 0.38 MICRONS MIN.	WITH BUMPS,WITH COVER							
47362-2030	GOLD FLASH								
47362-2031	GOLD PLATED 0.76 MICRONS MIN.	WITHOUT ARRIS							
47362-2032	GOLD PLATED 0.38 MICRONS MIN.	WITH BUMPS,WITH COVER							
47362-1003	GOLD PLATED 0.38 MICRONS MIN.	WITH ARRIS ON BOTH SURFACE WITHOUT BUMPS	STRAIGHT TYPE						
47362-1082	GOLD PLATED 0.38 MICRONS MIN.	WITH ARRIS ON BOTH SURFACE WITH BUMPS	STRAIGHT TYPE						

--	--	--	--	--	--	--	--	--	--

SEE SHEET1 EC NO: SH2009-0500 DRWN: X JSONG CHKD: X JSONG APPR: HWANG	2009/04/16 2009/04/17 2009/05/21	DESCRIPTION REV	QUALITY SYMBOLS ▽=0 ▽=0	GENERAL TOLERANCES (UNLESS SPECIFIED) <table border="1"> <tr> <td></td> <td>mm</td> <td>INCH</td> </tr> <tr> <td>4 PLACES</td> <td>± ---</td> <td>± ---</td> </tr> <tr> <td>3 PLACES</td> <td>± ---</td> <td>± ---</td> </tr> <tr> <td>2 PLACES</td> <td>± 0.2</td> <td>± ---</td> </tr> <tr> <td>1 PLACE</td> <td>± 0.25</td> <td>± ---</td> </tr> <tr> <td colspan="3">ANGULAR ± 3 °</td> </tr> </table>		mm	INCH	4 PLACES	± ---	± ---	3 PLACES	± ---	± ---	2 PLACES	± 0.2	± ---	1 PLACE	± 0.25	± ---	ANGULAR ± 3 °			DIMENSION STYLE <b>MM ONLY</b>	SCALE <b>4:1</b>	DESIGN UNITS <b>METRIC</b>	THIRD ANGLE PROJECTION	DRAWN BY BCHEN26	DATE 2005/12/05	COMBO SATA RECEPTACLE CABLE END
				mm	INCH																								
			4 PLACES	± ---	± ---																								
			3 PLACES	± ---	± ---																								
2 PLACES	± 0.2	± ---																											
1 PLACE	± 0.25	± ---																											
ANGULAR ± 3 °																													
CHECKED BY DIXON	DATE 2005/12/05	APPROVED BY GRATE	DATE 2005/12/05	<b>MOLEX INCORPORATED</b>																									
MATERIAL NO. <b>SEE TABLE</b>		DOCUMENT NO. <b>SD-47362-100</b>		SHEET NO. <b>4 OF 4</b>																									
DRAFT WHERE APPLICABLE MUST REMAIN WITHIN DIMENSIONS					THIS DRAWING CONTAINS INFORMATION THAT IS PROPRIETARY TO MOLEX INCORPORATED AND SHOULD NOT BE USED WITHOUT WRITTEN PERMISSION																								