

PLEASE CHECK WWW.MOLEX.COM FOR LATEST PART INFORMATION

Part Number: [0330112002](#)
Status: **Active**
Overview: [mx150 sealed connector system](#)
Description: MX150™ Male Terminal, Silver (Ag) Plating, 16-20 AWG, Right Reel Payoff, Contact Material Thickness 0.30mm (.012")

Documents:

[Drawing \(PDF\)](#) [RoHS Certificate of Compliance \(PDF\)](#)

General

Product Family	Crimp Terminals
Series	33011
Comments	Right Reel Payoff
Crimp Quality Equipment	Yes
Overview	mx150 sealed connector system
Product Name	MX150™

Physical

Gender	Male
Material - Metal	High Performance Alloy (HPA)
Material - Plating Mating	Silver
Material - Plating Termination	Tin
Packaging Type	Reel
Plating min: Mating (µin)	30.4
Plating min: Mating (µm)	0.76
Plating min: Termination (µin)	100
Plating min: Termination (µm)	2.5
Termination Interface: Style	Crimp or Compression
Wire Insulation Diameter	2.60mm (.102") max.
Wire Size AWG	16, 18, 20
Wire Size mm²	0.75, 1.00

Electrical

Current - Maximum per Contact	22A
Voltage - Maximum	250V

Material Info

Reference - Drawing Numbers

Sales Drawing	SD-33000-001
---------------	--------------



EU RoHS

**ELV and RoHS
Compliant**
**REACH SVHC
Contains SVHC: No**
**Halogen-Free
Status
Not Reviewed**

China RoHS



Need more information on product environmental compliance?

Email productcompliance@molex.com
 For a multiple part number RoHS Certificate of Compliance, [click here](#)

Please visit the [Contact Us](#) section for any non-product compliance questions.

Search Parts in this Series

[33011Series](#)

Use With

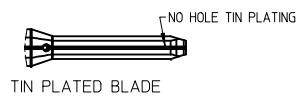
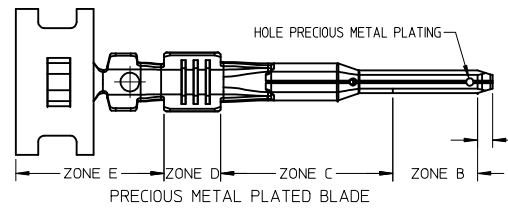
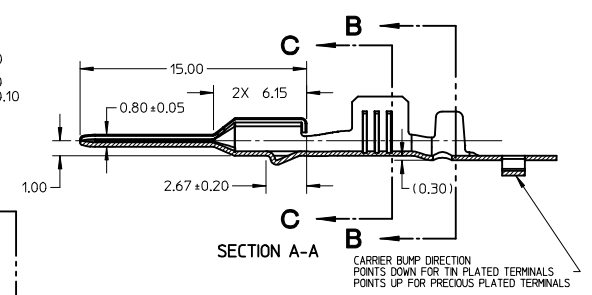
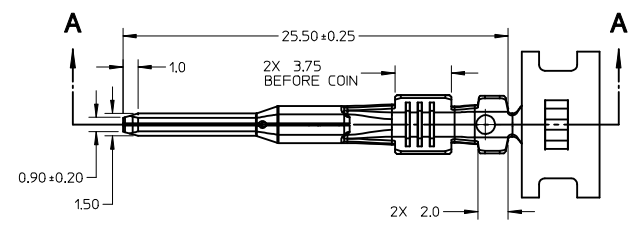
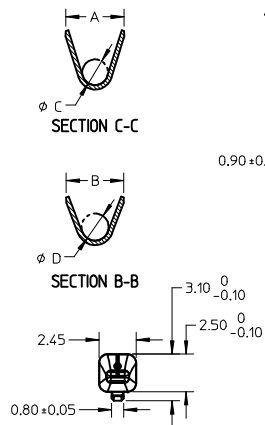
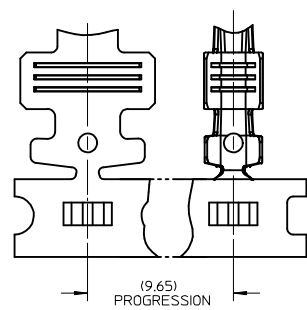
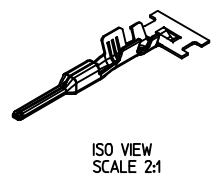
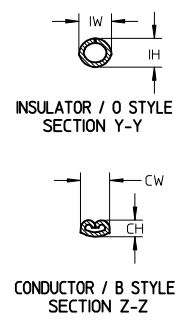
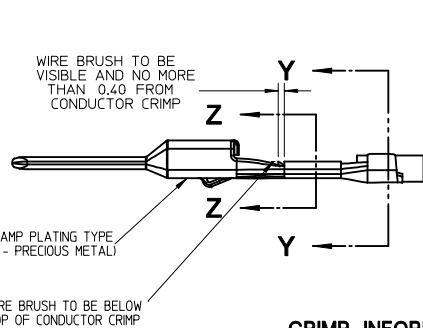
[33482](#) Dual Row Housing, [33481](#) Single Row Housing, [33486](#) Hybrid Housing

Application Tooling | FAQ

Tooling specifications and manuals are found by selecting the products below. Crimp Height Specifications are then contained in the Application Tooling Specification document.

Global

Description	Product #
Hand Crimp Tool, 14-16AWG	0638112400
Hand Crimp Tool, 18-22AWG	0638112600



- PLATING NOTES:
- PRECIOUS METAL PLATED TERMINAL:
 - GOLD PLATING:
 - ZONE A: SHALL BE COMPLETELY COVERED WITH NICKEL TO PREVENT EXPOSED BASE METAL REDUCED GOLD THICKNESS FROM ZONE B PERMITTED
 - ZONE B: PRECIOUS METAL PLATING PER MOLEX PLATING SPECIFICATION ES-88
 - BASE LAYER: ELECTRODEPOSITED DUCTILE SULFAMATE NICKEL THICKNESS: 1.25 - 2.25 MICROMETERS
 - GOLD LAYER: ELECTRODEPOSITED GOLD THICKNESS: 0.76 MICROMETERS MINIMUM
 - ZONE C: SHALL BE COMPLETELY COVERED WITH NICKEL TO PREVENT EXPOSED BASE METAL REDUCED PLATING THICKNESS FROM ZONE B AND ZONE D PERMITTED
 - ZONE D: TIN PLATING PER MOLEX PLATING SPECIFICATION ES-88
 - BASE LAYER: ELECTRODEPOSITED DUCTILE SULFAMATE NICKEL THICKNESS: 1.25 - 2.25 MICROMETERS
 - TIN LAYER: ELECTRODEPOSITED 100% TIN, MATTE FINISH THICKNESS: 2.5 - 4.0 MICROMETERS
 - ZONE E: SHALL BE COMPLETELY COVERED WITH NICKEL TO PREVENT EXPOSED BASE METAL REDUCED THICKNESS FROM ZONE D PERMITTED
 - SILVER PLATING:
 - ZONE A: SHALL BE COMPLETELY COVERED WITH NICKEL TO PREVENT EXPOSED BASE METAL REDUCED SILVER THICKNESS FROM ZONE B PERMITTED
 - ZONE B: SILVER PLATING
 - BASE LAYER: ELECTRODEPOSITED DUCTILE SULFAMATE NICKEL THICKNESS: 1.25 - 2.25 MICROMETERS
 - SILVER LAYER: ELECTRODEPOSITED PURE SILVER (0.5% MAX IMPURITIES) THICKNESS: 1.9 - 3.3 MICROMETERS FINISH: SEMI BRIGHT
 - ANTI-TARNISH: TREATMENT FOR SILVER PLATED TERMINAL - EVABRITE WS
 - ZONE C: SHALL BE COMPLETELY COVERED WITH NICKEL TO PREVENT EXPOSED BASE METAL REDUCED PLATING THICKNESS FROM ZONE B AND ZONE D PERMITTED
 - ZONE D: TIN PLATING PER MOLEX PLATING SPECIFICATION ES-88
 - BASE LAYER: ELECTRODEPOSITED DUCTILE SULFAMATE NICKEL THICKNESS 1.25 - 2.25 MICROMETERS
 - TIN LAYER: ELECTRODEPOSITED 100% TIN, MATTE FINISH THICKNESS 2.5 - 4.0 MICROMETERS
 - ZONE E: SHALL BE COMPLETELY COVERED WITH NICKEL TO PREVENT EXPOSED BASE METAL REDUCED THICKNESS FROM ZONE D PERMITTED
 - TIN PLATED TERMINAL (ENTIRE TERMINAL)
 - BASE LAYER: ELECTRODEPOSITED ADVANCED TIN BARRIER THICKNESS 0.25 - 1.00 MICROMETERS
 - TIN LAYER: ELECTRODEPOSITED REFLOW TIN, 100% TIN, NO BRIGHTENERS THICKNESS 0.50 - 1.00 MICROMETERS

- GENERAL NOTES: (UNLESS OTHERWISE SPECIFIED)
- MATING TERMINAL SHOWN ON SD-33012-002
 - MATERIAL: ASTM B422, UNS C19025, HR04 THICKNESS: 0.30 mm ±0.01 TEMPER: FULL HARD (REF) TENSILE: 496-572 MPA PLATING: SEE PLATING NOTES
 - MEETS CRIMP PERFORMANCE SPECIFICATION SAE/USCAR-21 (RELEASED: 08/25/01)
 - MEETS PERFORMANCE STANDARD FOR AUTOMOTIVE ELECTRICAL CONNECTOR SYSTEMS SAE/USCAR-2 REV 3 (APRIL 2001)
 - MEETS FIELD CORRELATED LIFE TEST SAE/USCAR-20 (NOVEMBER 2001)
 - MEETS WIRING COMPONENT DESIGN GUIDELINES SAE/USCAR-12 REV 2 (DECEMBER 2001)
 - MEETS ELECTRICAL CONNECTION SYSTEM DESIGN SPECIFICATION (SDS) REV 11 (5/2002)
 - REFERENCE PK-31300-516 FOR REEL DIRECTION
 - REFERENCE CS-33000-001 FOR ADDITIONAL CRIMP INFORMATION

ENTER DESCRIPTION EC NO: UAU2010-0107 DRINKFERGUSON 2009/08/18 CHKD:A.DHIR 2009/08/19 APPR:BMOSER 2009/08/20	QUALITY SYMBOLS ▽=0 ▽=0	GENERAL TOLERANCES (UNLESS SPECIFIED)		DIMENSION STYLE MM ONLY		SCALE 4:1	DESIGN UNITS METRIC	THIRD ANGLE PROJECTION	
		mm	INCH	DRAWN BY L.PULLIAM	DATE 2006/01/31	TITLE MX150 15MM BLADE TERMINAL			
DESCRIPTION C10	REV	4 PLACES ± ---	± ---	CHECKED BY A.DHIR	DATE 2006/02/01	MOLEX MOLEX INCORPORATED DOCUMENT NO. SD-33000-001 SHEET NO. 1 OF 5			
		3 PLACES ± ---	± ---	APPROVED BY B.MOSER	DATE 2006/02/02				
		2 PLACES ± 0.1	± ---	MATERIAL NO. SEE TABLE					
		1 PLACE ± 0.3	± ---	SIZE THIS DRAWING CONTAINS INFORMATION THAT IS PROPRIETARY TO MOLEX INCORPORATED AND SHOULD NOT BE USED WITHOUT WRITTEN PERMISSION					
		ANGULAR ± 3 °							

SUPPLIER PART NO. B DIRECTION RIGHT PAYOFF	D DIRECTION LEFT PAYOFF	FORD PART NO.	PLATING (STAMPING)	WIRE APPLICATION			A +0.30	B +0.30	C +0.30	D +0.30	E +0.005	F +0.005	G +0.005	J +0.005	K +0.005	M +0.005	N +0.005	P +0.005	R +0.005	U +0.005	V +0.005	
				SAE (awg)	WIRE SPECIFICATION	METRIC (mm)																WIRE SPECIFICATION
33000-0001	33000-1001	ZL1T-14421-DA	TIN	14	MIL-123A/MIL-135A1	2.0, 1.5	MIL-126A1 JASO D 611	3.9	3.8	1.7	1.6	12.82	0.60	1.19	7.05	13.12	1.35	6.91	2.44	6.11	2.72	1.40
33000-0002	33000-1002	ZL1T-14421-CA	TIN	16	MIL-123A	-		3.3	3.1	1.3	1.4	12.46	0.57	0.99	6.52	12.96	1.28	6.51	2.14	1.93	2.52	1.30
				18	MIL-123A	10, 0.75	MIL-126A1	3.3	3.1	1.3	1.4	12.46	0.57	0.99	6.52	12.96	1.28	6.51	2.14	1.93	2.52	1.30
				20	SAE J1128 (IGXL)	-		3.3	3.1	1.3	1.4	12.46	0.57	0.99	6.52	12.96	1.28	6.51	2.14	1.93	2.52	1.30
					MIL-123A	-		3.3	3.1	1.3	1.4	12.46	0.57	0.99	6.52	12.96	1.28	6.51	2.14	1.93	2.52	1.30
33000-0003	33000-1003	ZL1T-14421-BA	TIN	22	MIL-123A	0.5	MIL-126A1 JASO D 611	2.5	2.6	0.9	1.0	11.97	0.42	0.72	6.57	12.24	0.93	6.31	1.60	1.44	1.84	0.95
33000-0003*	33000-1003*	ZL1T-14421-BA*	TIN	-	-	0.35	WSK-1A348-A2	2.5	2.6	0.9	1.0	11.97	0.42	0.72	6.57	12.24	0.93	6.31	1.60	1.44	1.84	0.95
33000-0024*	33000-1024*	4L2T-14421-AA*	TIN	-	-	0.35 + 0.35	MIL-126A1	T80	T80	T80	T80	T80	T80	T80	T80	T80	T80	T80	T80	T80	T80	T80
33000-0024*	33000-1024*	4L2T-14421-AA*	TIN	-	-	0.35 + 0.50	MIL-126A1	T80	T80	T80	T80	T80	T80	T80	T80	T80	T80	T80	T80	T80	T80	T80
33011-1002	33011-0002	ZL1T-14421-GA	GOLD	14	MIL-123A/MIL-135A1	2.0, 1.5	MIL-126A1 JASO D 611	3.9	3.8	1.7	1.6	12.82	0.60	1.19	7.05	13.12	1.35	6.91	2.44	6.11	2.72	1.40
33011-1004	33011-0004	ZL1T-14421-FA	GOLD	16	MIL-123A	-		3.3	3.1	1.3	1.4	12.46	0.57	0.99	6.52	12.96	1.28	6.51	2.14	1.93	2.52	1.30
				18	MIL-123A	10, 0.75	MIL-126A1	3.3	3.1	1.3	1.4	12.46	0.57	0.99	6.52	12.96	1.28	6.51	2.14	1.93	2.52	1.30
				20	SAE J1128 (IGXL)	-		3.3	3.1	1.3	1.4	12.46	0.57	0.99	6.52	12.96	1.28	6.51	2.14	1.93	2.52	1.30
					MIL-123A	-		3.3	3.1	1.3	1.4	12.46	0.57	0.99	6.52	12.96	1.28	6.51	2.14	1.93	2.52	1.30
33011-1006	33011-0006	ZL1T-14421-EA	GOLD	22	MIL-123A	0.5	MIL-126A1 JASO D 611	2.5	2.6	0.9	1.0	11.97	0.42	0.72	6.57	12.24	0.93	6.31	1.60	1.44	1.84	0.95
33011-1006*	33011-0006*	ZL1T-14421-EA*	GOLD	-	-	0.35	WSK-1A348-A2	2.5	2.6	0.9	1.0	11.97	0.42	0.72	6.57	12.24	0.93	6.31	1.60	1.44	1.84	0.95
33011-2003	33011-3003	7U5T-14421-CA	SILVER	14	MIL-123A/MIL-135A1	2.0, 1.5	MIL-126A1 JASO D 611	3.9	3.8	1.7	1.6	12.82	0.60	1.19	7.05	13.12	1.35	6.91	2.44	6.11	2.72	1.40
33011-2002	33011-3002	7U5T-14421-BA	SILVER	16	MIL-123A	-		3.3	3.1	1.3	1.4	12.46	0.57	0.99	6.52	12.96	1.28	6.51	2.14	1.93	2.52	1.30
				18	MIL-123A	10, 0.75	MIL-126A1	3.3	3.1	1.3	1.4	12.46	0.57	0.99	6.52	12.96	1.28	6.51	2.14	1.93	2.52	1.30
				20	SAE J1128 (IGXL)	-		3.3	3.1	1.3	1.4	12.46	0.57	0.99	6.52	12.96	1.28	6.51	2.14	1.93	2.52	1.30
					MIL-123A	-		3.3	3.1	1.3	1.4	12.46	0.57	0.99	6.52	12.96	1.28	6.51	2.14	1.93	2.52	1.30
33011-2001	33011-3001	7U5T-14421-AA	SILVER	22	MIL-123A	0.5	MIL-126A1 JASO D 611	2.5	2.6	0.9	1.0	11.97	0.42	0.72	6.57	12.24	0.93	6.31	1.60	1.44	1.84	0.95
33011-2001*	33011-3001*	7U5T-14421-AA*	SILVER	-	-	0.35	WSK-1A348-A2	2.5	2.6	0.9	1.0	11.97	0.42	0.72	6.57	12.24	0.93	6.31	1.60	1.44	1.84	0.95

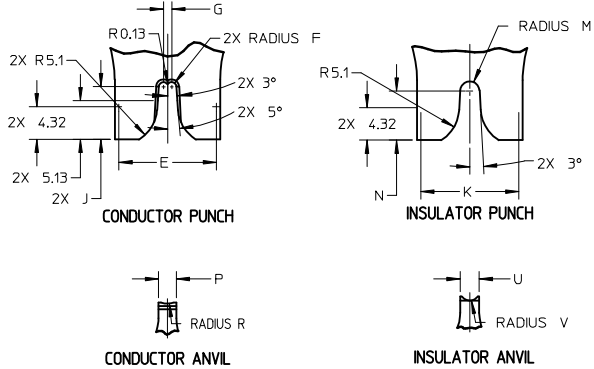
* UNSEALED APPLICATIONS ONLY

SUPPLIER PART NO. B DIRECTION RIGHT PAYOFF	D DIRECTION LEFT PAYOFF	FORD PART NO.	PLATING	WIRE SIZE	WIRE SPECIFICATION	CONDUCTOR CH (SECT Z-Z) +0.05 mm	CONDUCTOR CW (SECT Z-Z) +0.10 mm	INSULATOR IH (SECT Y-Y) +0.10 mm	INSULATOR IW (SECT Y-Y) +0.10 mm	WIRE PULL FORCE (N)
33000-0001	33000-1001	ZL1T-14421-DA	TIN	14 awg	MIL-123A	1.65	2.45	2.85	2.75	339
					MIL-135A1	1.65	2.45	2.80	2.80	339
				16 awg	MIL-123A	1.35	2.15	2.20	2.60	215
33000-0002	33000-1002	ZL1T-14421-CA	TIN	18 awg	SAE J1128 (IGXL)	1.25	2.15	2.30	2.60	158
					MIL-123A	1.15	2.15	1.90	2.10	113
				20 awg	SAE J1128 (IGXL)	1.15	2.15	2.00	2.30	105
					MIL-123A	1.00	1.60	1.85	1.90	62
33000-0001	33000-1001	ZL1T-14421-DA	TIN	2.0 mm ²	JASO D 611 (AVSSI)	1.60	2.45	2.85	275	233
33000-0002	33000-1002	ZL1T-14421-CA	TIN	1.5 mm ²	MIL-126A1	1.40	2.25	2.65	2.80	177
				1.0 mm ²	MIL-126A1	1.30	2.15	2.00	2.30	162
				0.75 mm ²	MIL-126A1	1.25	2.15	1.95	2.30	145
33000-0003	33000-1003	ZL1T-14421-BA	TIN	0.5 mm ²	MIL-126A1	1.10	1.60	1.80	190	82
33000-0003*	33000-1003*	ZL1T-14421-BA*	TIN	0.35 mm ²	JASO D 611 (AVSSI)	1.10	1.60	1.85	190	100
33000-0024*	33000-1024*	4L2T-14421-AA*	TIN	0.35 mm ²	WSK-1A348-A2	0.95	1.60	1.70	190	50
33000-0024*	33000-1024*	4L2T-14421-AA*	TIN	0.35 + 0.35	MIL-126A1	T80	T80	T80	T80	T80
33000-0024*	33000-1024*	4L2T-14421-AA*	TIN	0.35 + 0.50	MIL-126A1	T80	T80	T80	T80	T80
33011-1002	33011-0002	ZL1T-14421-GA	GOLD	14 awg	MIL-123A	1.65	2.45	2.85	2.75	339
					MIL-135A1	1.65	2.45	2.80	2.80	339
				16 awg	MIL-123A	1.35	2.15	2.20	2.60	215
33011-1004	33011-0004	ZL1T-14421-FA	GOLD	18 awg	MIL-123A	1.25	2.15	2.00	2.30	157
					SAE J1128 (IGXL)	1.25	2.15	2.30	2.60	158
				20 awg	MIL-123A	1.15	2.15	1.90	2.10	113
					SAE J1128 (IGXL)	1.15	2.15	2.00	2.30	105
33011-1006	33011-0006	ZL1T-14421-EA	GOLD	22 awg	MIL-123A	1.00	1.60	1.85	190	62
33011-1002	33011-0002	ZL1T-14421-GA	GOLD	2.0 mm ²	JASO D 611 (AVSSI)	1.60	2.45	2.85	275	233
33011-1004	33011-0004	ZL1T-14421-FA	GOLD	1.5 mm ²	MIL-126A1	1.40	2.25	2.65	2.80	177
				1.0 mm ²	MIL-126A1	1.30	2.15	2.00	2.30	162
				0.75 mm ²	MIL-126A1	1.25	2.15	1.95	2.30	145
33011-1006	33011-0006	ZL1T-14421-EA	GOLD	0.5 mm ²	MIL-126A1	1.10	1.60	1.80	190	82
33011-1006*	33011-0006*	ZL1T-14421-EA*	GOLD	0.35 mm ²	JASO D 611 (AVSSI)	1.10	1.60	1.85	190	100
33011-2003	33011-3003	7U5T-14421-CA	SILVER	14 awg	MIL-123A	1.65	2.45	2.85	2.75	339
33011-2002	33011-3002	7U5T-14421-BA	SILVER	16 awg	MIL-135A1	1.65	2.45	2.80	2.80	339
					MIL-123A	1.35	2.15	2.20	2.60	215
				18 awg	SAE J1128 (IGXL)	1.25	2.15	2.30	2.60	158
					MIL-123A	1.15	2.15	1.90	2.10	113
33011-2001	33011-3001	7U5T-14421-AA	SILVER	22 awg	MIL-123A	1.00	1.60	1.85	190	62
33011-2003	33011-3003	7U5T-14421-CA	SILVER	2.0 mm ²	JASO D 611 (AVSSI)	1.60	2.45	2.85	275	233
33011-2002	33011-3002	7U5T-14421-BA	SILVER	1.5 mm ²	MIL-126A1	1.40	2.25	2.65	2.80	177
				1.0 mm ²	MIL-126A1	1.30	2.15	2.00	2.30	162
				0.75 mm ²	MIL-126A1	1.25	2.15	1.95	2.30	145
33011-2001	33011-3001	7U5T-14421-AA	SILVER	0.5 mm ²	MIL-126A1	1.10	1.60	1.80	190	82
33011-2001*	33011-3001*	7U5T-14421-AA*	SILVER	0.35 mm ²	JASO D 611 (AVSSI)	1.10	1.60	1.85	190	100
33011-2001*	33011-3001*	7U5T-14421-AA*	SILVER	0.35 mm ²	WSK-1A348-A2	0.95	1.60	1.70	190	50

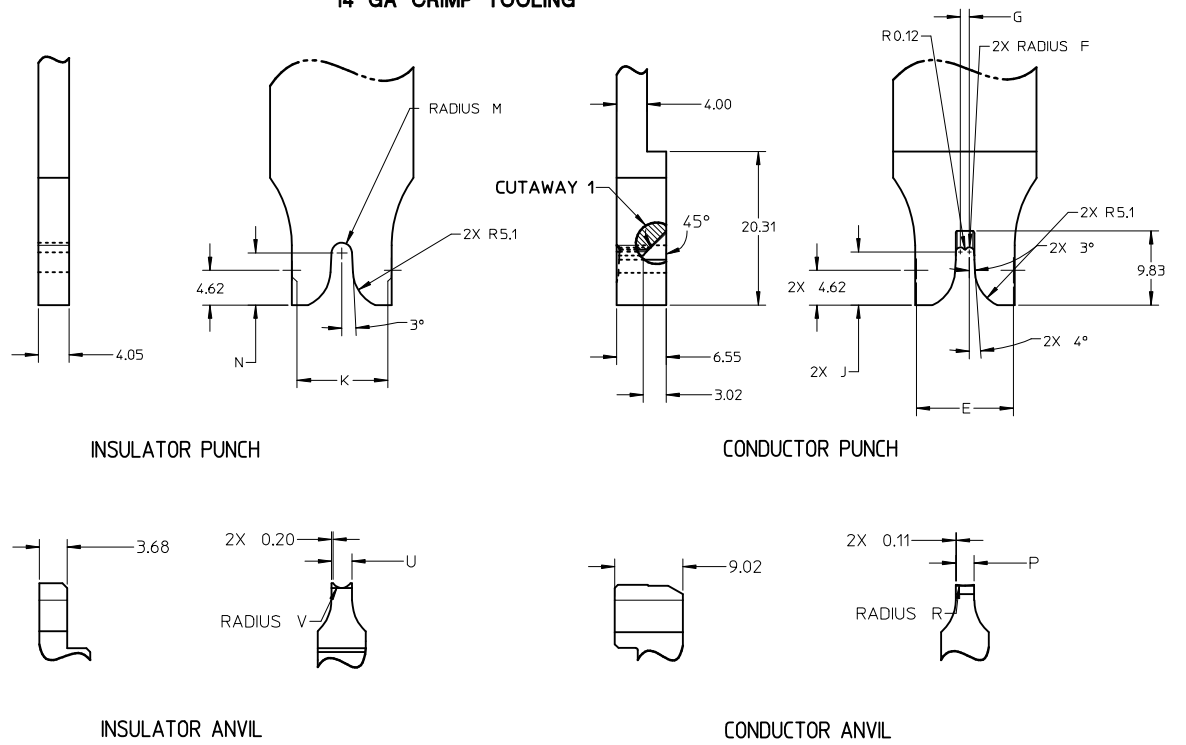
* UNSEALED APPLICATIONS ONLY

ENTER DESCRIPTION EC NO: UAU2010-0107 DRANKFERGUSON 2009/08/18 CHKD-A:DHIR 2009/08/19 APPR:BMOSER 2009/08/20 REV:	QUALITY SYMBOLS ▽=0 ▽=0	GENERAL TOLERANCES (UNLESS SPECIFIED) mm INCH 4 PLACES ± --- ± --- 3 PLACES ± --- ± --- 2 PLACES ± 0.1 ± --- 1 PLACE ± 0.3 ± --- ANGULAR ± 3°	DIMENSION STYLE MM ONLY DRAWN BY DATE L.PULLIAM 2006/01/31 CHECKED BY DATE A.DHIR 2006/02/01 APPROVED BY DATE B.MOSER 2006/02/02	SCALE 1:1 DESIGN UNITS METRIC THIRD ANGLE PROJECTION	TITLE MX150 15MM BLADE TERMINAL	MATERIAL NO. 9999999999 DOCUMENT NO. SD-33000-001 SHEET NO. 2 OF 5	
							DRAFT WHERE APPLICABLE MUST REMAIN WITHIN DIMENSIONS
							MOLEX INCORPORATED
							THIS DRAWING CONTAINS INFORMATION THAT IS PROPRIETARY TO MOLEX INCORPORATED AND SHOULD NOT BE USED WITHOUT WRITTEN PERMISSION

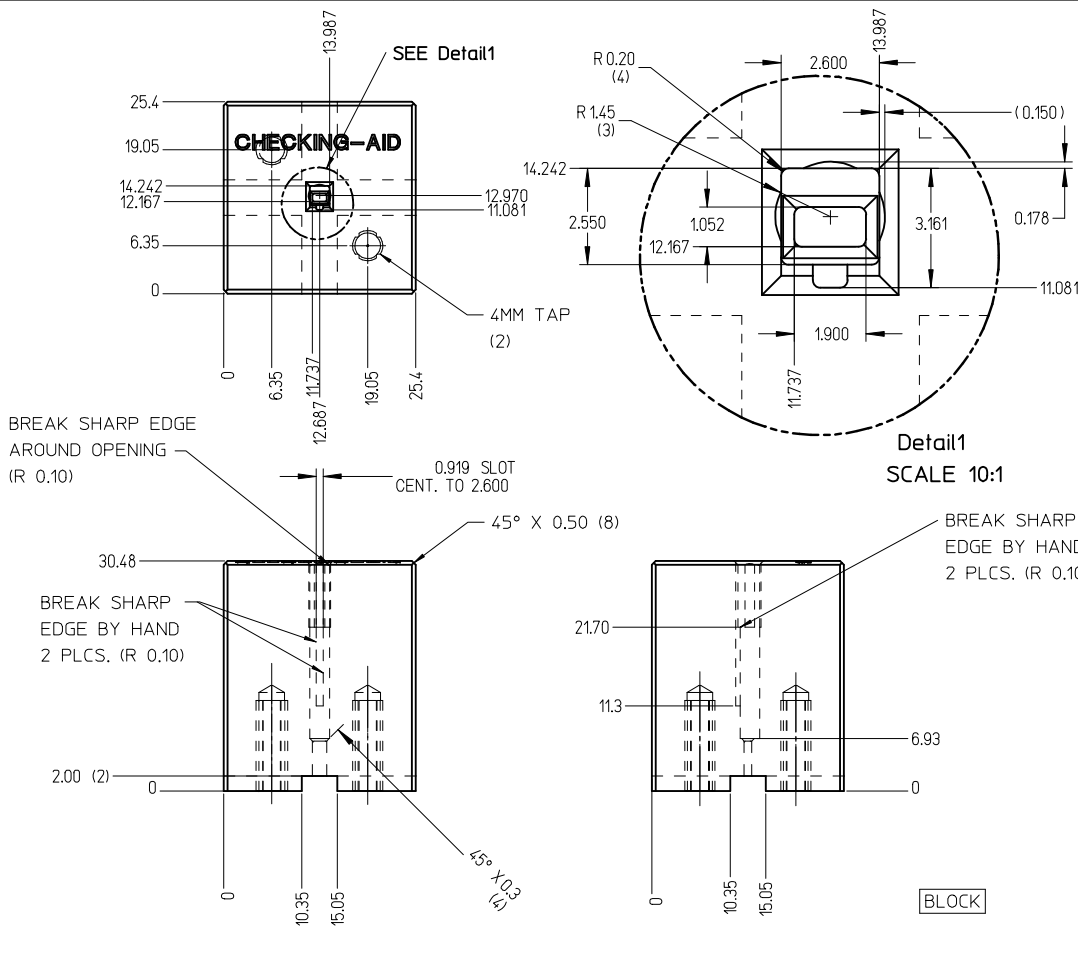
**CRIMP TOOL INFORMATION
EXCEPT 14 GA**



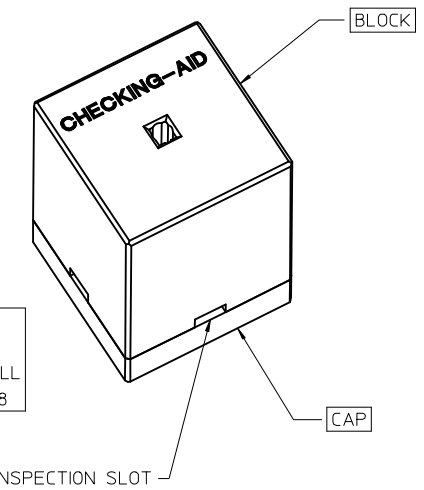
14 GA CRIMP TOOLING



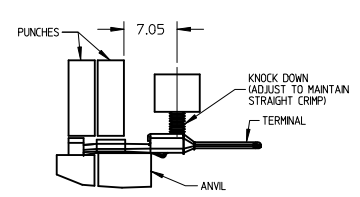
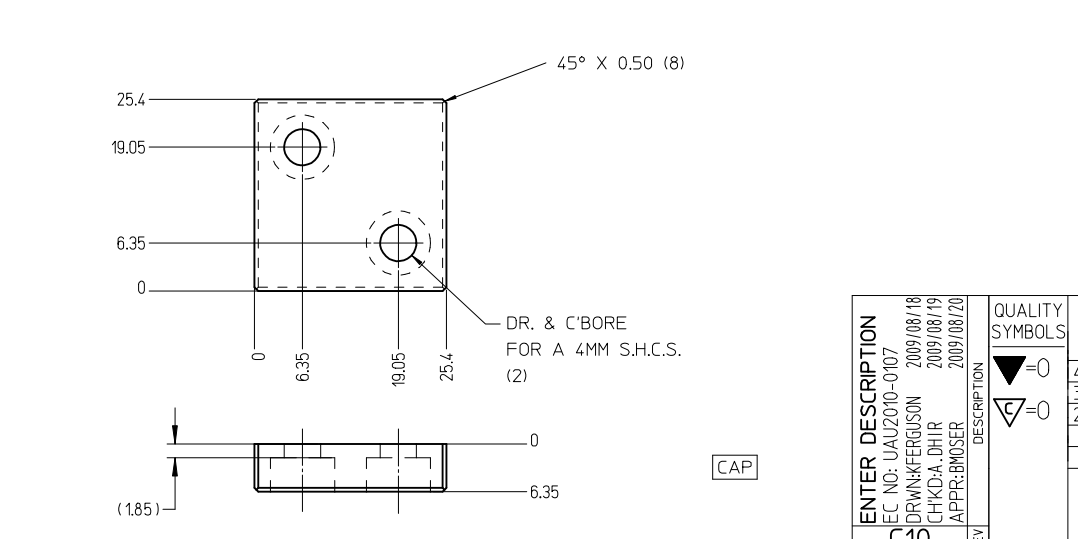
ENTER DESCRIPTION EC NO: UAU2010-0107 DRWNG:FERGUSON 2009/08/18 CHKD:A.DHIR 2009/08/19 APPR:BMOSER 2009/08/20 REV	QUALITY SYMBOLS ▽=0 ▽=0	GENERAL TOLERANCES (UNLESS SPECIFIED) <table border="1"> <tr> <th></th> <th>mm</th> <th>INCH</th> </tr> <tr> <td>4 PLACES</td> <td>± .005</td> <td>± .0004</td> </tr> <tr> <td>3 PLACES</td> <td>± .005</td> <td>± .0004</td> </tr> <tr> <td>2 PLACES</td> <td>± 0.1</td> <td>± .004</td> </tr> <tr> <td>1 PLACE</td> <td>± 0.3</td> <td>± .012</td> </tr> </table>		mm	INCH	4 PLACES	± .005	± .0004	3 PLACES	± .005	± .0004	2 PLACES	± 0.1	± .004	1 PLACE	± 0.3	± .012	DIMENSION STYLE MM ONLY DRAWN BY DATE L.PULLIAM 2006/01/31 CHECKED BY DATE A.DHIR 2006/02/01 APPROVED BY DATE B.MOSER 2006/02/02	SCALE 2:1 DESIGN UNITS METRIC THIRD ANGLE PROJECTION	TITLE MX150 15MM BLADE TERMINAL
		mm	INCH																	
	4 PLACES	± .005	± .0004																	
	3 PLACES	± .005	± .0004																	
2 PLACES	± 0.1	± .004																		
1 PLACE	± 0.3	± .012																		
MATERIAL NO. SEE TABLE	DOCUMENT NO. SD-33000-001	SHEET NO. 3 OF 5																		
SIZE C10	THIS DRAWING CONTAINS INFORMATION THAT IS PROPRIETARY TO MOLEX INCORPORATED AND SHOULD NOT BE USED WITHOUT WRITTEN PERMISSION																			



CHECKING-AID
 2 PIECE ASM. A2 TOOL STEEL
 HARDEN & GRIND TO A ROCKWELL
 HARDNESS "C" SCALE OF 56-58

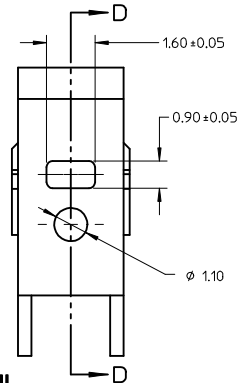
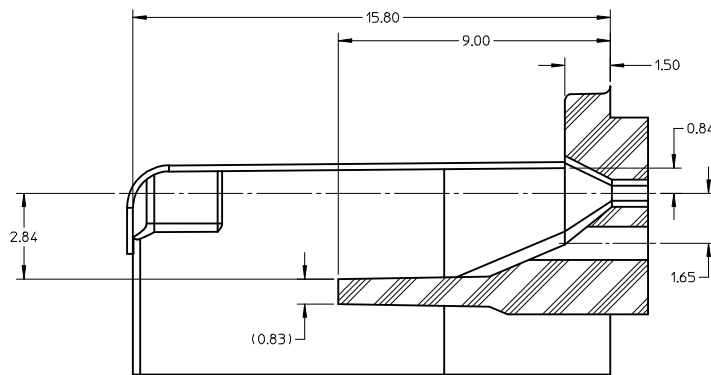
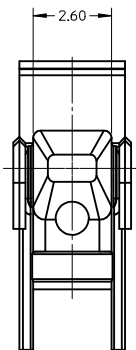


CHECKING AID TOLERANCE	
.XXX	= .005
.XX	= .03
.X	= .3

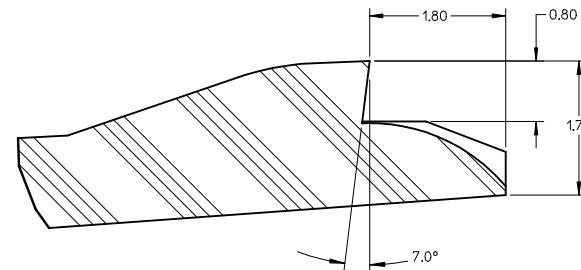
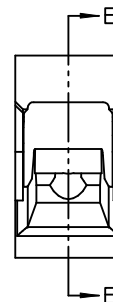
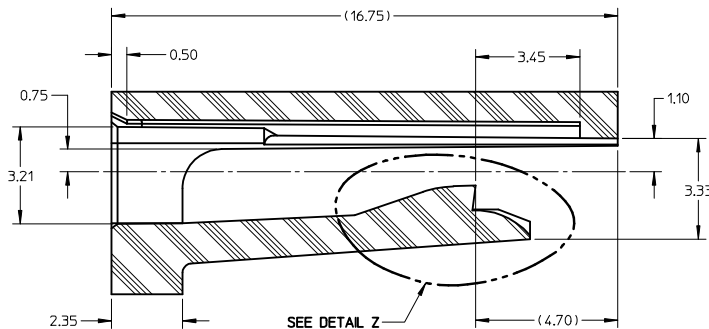
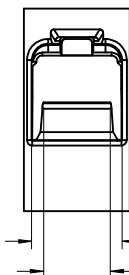


- CRIMP REQUIREMENTS:
1. CRIMP STRAIGHTNESS MUST BE MAINTAINED. USE A KNOCKDOWN TOOL LOCATED AS SHOWN. TERMINAL BOX MUST NOT BE DEFORMED
 2. AFTER CRIMPING, THE TERMINAL AND WIRE MUST FIT FREELY INTO THE CHECKING AID 33000-700. PROPER INSERTION DEPTH IS MET WHEN BLADE TIP STOPS ON CAP. SLOTS PROVIDED TO VISUALLY INSPECT STOPPAGE OF PIN TIP.
 3. FOR OTHER MECHANICAL REQUIREMENTS ON CRIMPED TERMINALS, REFER TO SAE/USCAR-21 (5-13-02) SECTIONS 4.2 (VISUAL INSPECTION), 4.3 (CROSS SECTION ANALYSIS) AND 4.4 (CONDUCTOR CRIMP PULLOUT FORCE)

ENTER DESCRIPTION EC NO: UAU2010-0107 DRWNG:FERGUSON 2009/08/18 CHKD:A.DHIR 2009/08/19 APPR:BMOSER 2009/08/20 REV:	QUALITY SYMBOLS ▽=0 ▽=0	GENERAL TOLERANCES (UNLESS SPECIFIED) <table border="1"> <thead> <tr> <th></th> <th>mm</th> <th>INCH</th> </tr> </thead> <tbody> <tr> <td>4 PLACES</td> <td>± .005</td> <td>± .0005</td> </tr> <tr> <td>3 PLACES</td> <td>± .003</td> <td>± .0003</td> </tr> <tr> <td>2 PLACES</td> <td>± 0.1</td> <td>± .004</td> </tr> <tr> <td>1 PLACE</td> <td>± 0.3</td> <td>± .012</td> </tr> </tbody> </table>		mm	INCH	4 PLACES	± .005	± .0005	3 PLACES	± .003	± .0003	2 PLACES	± 0.1	± .004	1 PLACE	± 0.3	± .012	DIMENSION STYLE MM ONLY	SCALE 2:1	DESIGN UNITS METRIC	THIRD ANGLE PROJECTION
		mm	INCH																		
	4 PLACES	± .005	± .0005																		
	3 PLACES	± .003	± .0003																		
2 PLACES	± 0.1	± .004																			
1 PLACE	± 0.3	± .012																			
APPROVED BY B.MOSER 2006/02/02	DRAWN BY L.PULLIAM 2006/01/31	CHECKED BY A.DHIR 2006/02/01	DATE 2006/02/02	DATE 2006/02/02	DATE 2006/02/02	DATE 2006/02/02															
MATERIAL NO. SEE TABLE	DOCUMENT NO. SD-33000-001	SIZE C	THIS DRAWING CONTAINS INFORMATION THAT IS PROPRIETARY TO MOLEX INCORPORATED AND SHOULD NOT BE USED WITHOUT WRITTEN PERMISSION	MOLEX MOLEX INCORPORATED	SHEET NO. 4 OF 5	APPROVED BY B.MOSER 2006/02/02															
ANGULAR ± 3°	CRIMP TOOLING SCALE 2:1	CRIMP REQUIREMENTS: <ol style="list-style-type: none"> 1. CRIMP STRAIGHTNESS MUST BE MAINTAINED. USE A KNOCKDOWN TOOL LOCATED AS SHOWN. TERMINAL BOX MUST NOT BE DEFORMED 2. AFTER CRIMPING, THE TERMINAL AND WIRE MUST FIT FREELY INTO THE CHECKING AID 33000-700. PROPER INSERTION DEPTH IS MET WHEN BLADE TIP STOPS ON CAP. SLOTS PROVIDED TO VISUALLY INSPECT STOPPAGE OF PIN TIP. 3. FOR OTHER MECHANICAL REQUIREMENTS ON CRIMPED TERMINALS, REFER TO SAE/USCAR-21 (5-13-02) SECTIONS 4.2 (VISUAL INSPECTION), 4.3 (CROSS SECTION ANALYSIS) AND 4.4 (CONDUCTOR CRIMP PULLOUT FORCE) 	MX150 15MM BLADE TERMINAL	MOLEX MOLEX INCORPORATED	SHEET NO. 4 OF 5	APPROVED BY B.MOSER 2006/02/02															

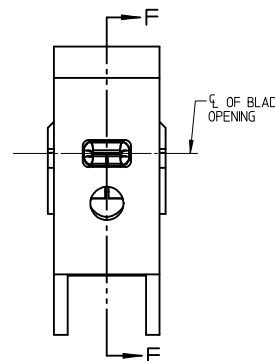
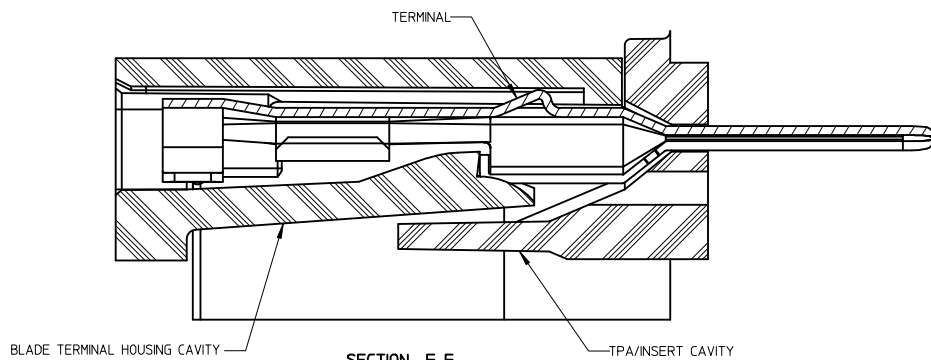
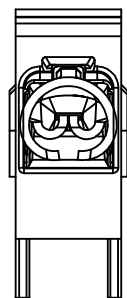


SECTION D-D TPA/INSERT DETAIL



SECTION E-E HOUSING DETAIL

DETAIL Z SCALE 20:1



BLADE CAVITY ASSEMBLY VIEWS

NOTES: (UNLESS OTHERWISE SPECIFIED)

1. TOLERANCES: LINEAR ± 0.10
ANGULAR 3°
2. ALL DRAFT WITHIN TOLERANCE
3. MAX RADII ON ALL CORNERS SHOWN SHARP: 0.10
4. MAX FLASH PERMISSIBLE: 0.1
5. EJECTOR PIN MARKS PERMISSIBLE IF FLUSH TO 0.25 BELOW SURFACE
6. MATERIAL: HOUSING/FINGER SPECIFICATION ENGINEERED FOR MATERIAL WITH THE FOLLOWING PROPERTIES:
A. FLEXURAL MODULUS = 4,500 TO 9,400 MPa
PER ASTM TEST D790
B. ELONGATION AT YIELD = 2.3% OR BETTER
PER ASTM TEST D638 TYPE V
7. CAVITY SPEC FOR USE ONLY WITH MOLEX BLADE TERMINAL PART NUMBERS (EXCEPT P/N'S FOR UNSEALED APPLICATIONS) SPECIFIED ELSEWHERE ON THIS DRAWING

ENTER DESCRIPTION EC NO: UAU2010-0107 DRAWN BY: DRWINKFERGUSON 2009/08/18 CHECKED BY: CHKDA.DHIR 2009/08/19 APPR: BMOSEY 2009/08/20 REV: C10	QUALITY SYMBOLS $\nabla=0$ $\nabla=0$	GENERAL TOLERANCES (UNLESS SPECIFIED)		DIMENSION STYLE MM ONLY	SCALE 8:1	DESIGN UNITS METRIC	THIRD ANGLE PROJECTION		
		4 PLACES ± 0.1 mm 3 PLACES ± 0.15 mm 2 PLACES ± 0.2 mm 1 PLACE ± 0.3 mm	4 PLACES ± 0.004 INCH 3 PLACES ± 0.005 INCH 2 PLACES ± 0.007 INCH 1 PLACE ± 0.010 INCH	DRAWN BY: L.PULLIAM DATE: 2006/01/31	CHECKED BY: A.DHIR DATE: 2006/02/01	APPROVED BY: B.MOSER DATE: 2006/02/02	TITLE MX150 15MM BLADE TERMINAL		
		ANGULAR $\pm 3^\circ$		MATERIAL NO. SEE TABLE	DOCUMENT NO. SD-33000-001	SHEET NO. 5 OF 5	MOLEX INCORPORATED		
		THIS DRAWING CONTAINS INFORMATION THAT IS PROPRIETARY TO MOLEX INCORPORATED AND SHOULD NOT BE USED WITHOUT WRITTEN PERMISSION							