

PLEASE CHECK WWW.MOLEX.COM FOR LATEST PART INFORMATION

Part Number: [0194330001](#)
Status: **Active**
Overview: [mx150l sealed connector system](#)
Description: MX150L™ 4 Circuit Plug for 10-12 AWG Wire

Documents:

[3D Model](#) [Product Specification PS-19432-001 \(PDF\)](#)
[Drawing \(PDF\)](#) [RoHS Certificate of Compliance \(PDF\)](#)

Agency Certification

CSA LR18689
 UL E152602

General

Product Family Crimp Housings
 Series [19433](#)
 Comments Mat Seal Color is Yellow, Polarized to Mating Part
 Overview [mx150l sealed connector system](#)
 Product Literature Order No 987650-2181
 Product Name MX150L™

Physical

Circuits (maximum) 4
 Circuits Detail 2x2
 Flammability 94V-0
 Gender Male
 Glow-Wire Compliant No
 Keying to Mating Part N/A
 Lock to Mating Part Yes
 Number of Rows 2
 Packaging Type Bag
 Panel Mount No
 Pitch - Mating Interface (in) 0.230 In
 Pitch - Mating Interface (mm) 5.84 mm
 Polarized to Mating Part Yes
 Stackable No
 Temperature Range - Operating -40°C to +125°C

Electrical

Current - Maximum per Contact 18A

Material Info

Reference - Drawing Numbers

Packaging Specification PK-19433-001
 Product Specification PS-19432-001
 Sales Drawing SD-19433-002

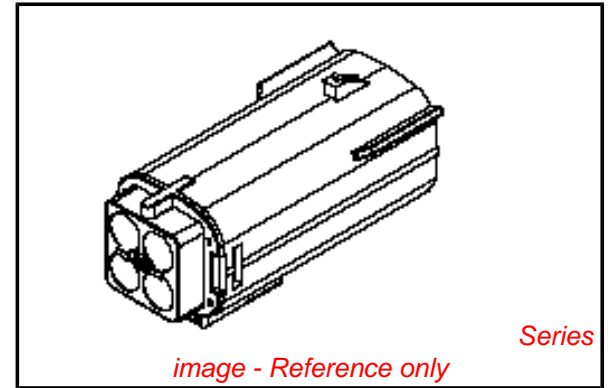


image - Reference only

EU RoHS

**ELV and RoHS
 Compliant**
REACH SVHC
 Not Reviewed
**Halogen-Free
 Status**
Not Reviewed

China RoHS



**Need more information on product
 environmental compliance?**

Email productcompliance@molex.com
 For a multiple part number RoHS Certificate of
 Compliance, [click here](#)

Please visit the [Contact Us](#) section for any
 non-product compliance questions.

Search Parts in this Series

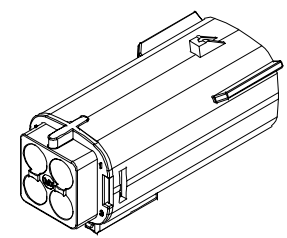
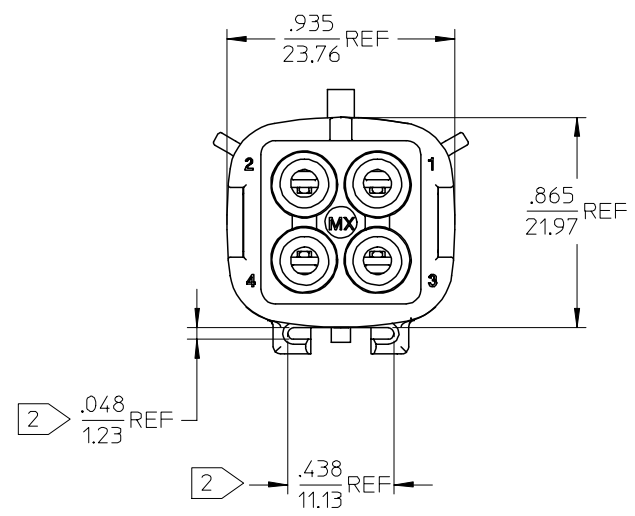
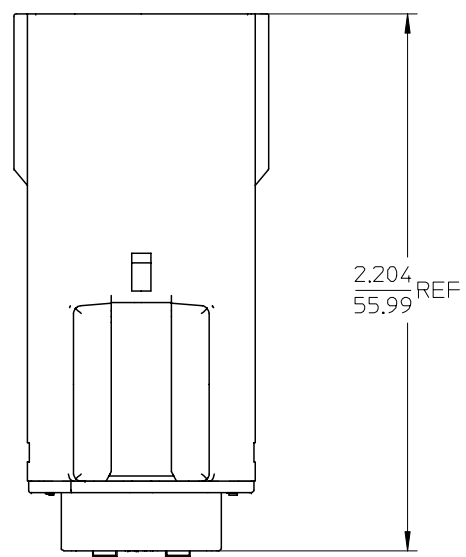
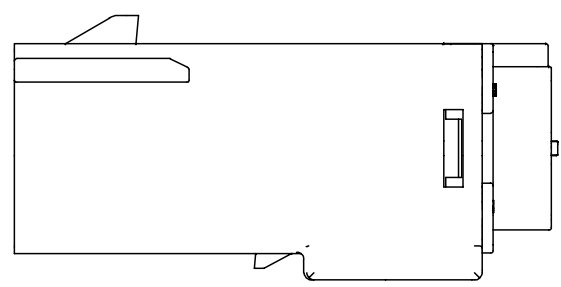
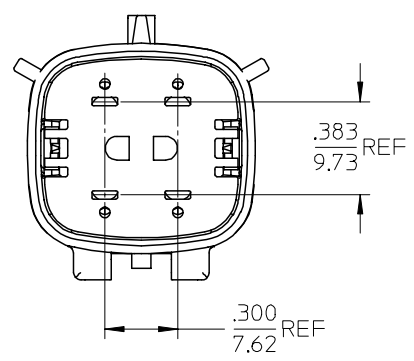
[19433Series](#)

Mates With

[19432-0001](#) Female Receptacle

Use With

[19431](#) Male Terminal



- NOTES:
- ASSEMBLY PACKAGED PER PK-19433-001.
 - MOUNTING SLOT DIMENSION.
 - USE CONNECTOR WITH MALE CRIMP TERMINAL: SERIES 19431.

PRODUCT RELEASE
 EC NO: ETC2005-0048
 DRWNG: JPAWLICK 2004/10/29
 CHKD: JPAWLICK 2004/10/29
 APPR: RDEROSS 2004/10/29

QUALITY SYMBOLS
 ▽=0
 ▽=0

GENERAL TOLERANCES (UNLESS SPECIFIED)	
	INCH
4 PLACES	± .015
3 PLACES	± .015
2 PLACES	± 0.38
1 PLACE	± .015
ANGULAR ± 1 °	

DIMENSION STYLE IN/MM
 DRAWN BY: B. RUPERT
 CHECKED BY: JPAWLICK
 APPROVED BY: R. DEROSS

194330001	10-12
194330002	8
MATERIAL NUMBER	UL WIRE AWG
SCALE 2:1	DESIGN UNITS INCH
THIRD ANGLE PROJECTION	
TITLE: 4 WAY PLUG ASSEMBLY MX250L	
MOLEX INCORPORATED	
MATERIAL NO. SEE CHART	DOCUMENT NO. SD-19433-002
SIZE B	SHEET NO. 1 OF 1