

PLEASE CHECK WWW.MOLEX.COM FOR LATEST PART INFORMATION

Part Number: **0014600117**
Status: **Active**
Description: 2.54mm (.100") Pitch SL™ Insulation Displacement Connector Assembly, Female, Single Row, Version C, Front Ribs, Wire Size 24, 3.81µm (150µ") Tin/Lead (SnPb), 11 Circuits

Documents:

[3D Model](#) [Product Specification PS-70400 \(PDF\)](#)
[Drawing \(PDF\)](#) [RoHS Certificate of Compliance \(PDF\)](#)

Agency Certification

CSA LR19980
 UL E29179

General

Product Family Ribbon Cable / Wire Trap Connectors
 Series [70400](#)
 Comments Terminals Preloaded
 Component Type Housing
 Glow-Wire Compliant No
 Product Name SL™

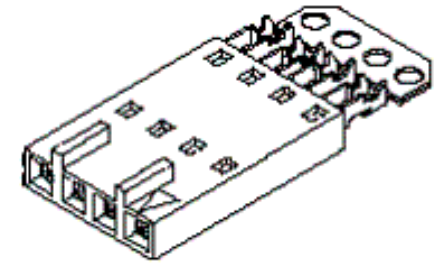
Physical

Circuits (Loaded) 11
 Color - Resin Black
 Durability (mating cycles max) 25
 Entry Angle Vertical
 Flammability 94V-0
 Lock to Mating Part None
 Material - Metal Phosphor Bronze
 Material - Plating Mating Tin
 Material - Plating Termination Tin
 Material - Resin Polyester Alloy
 Number of Rows 1
 PCB Retention None
 Packaging Type Tube
 Pitch - Mating Interface (in) 0.100 In
 Pitch - Mating Interface (mm) 2.54 mm
 Plating min: Mating (µin) 150
 Plating min: Mating (µm) 3.75
 Plating min: Termination (µin) 75
 Plating min: Termination (µm) 1.875
 Polarized to Mating Part Yes
 Stackable Yes
 Surface Mount Compatible (SMC) N/A
 Temperature Range - Operating -40°C to +105°C
 Termination Interface: Style IDT or Pierce
 Wire Insulation Diameter 1.35mm (.053") max.
 Wire Size AWG 24
 Wire/Cable Type Discrete Wire, Ribbon Cable

Electrical

Current - Maximum per Contact 3A
 Voltage - Maximum 250V

Material Info



Series

image - Reference only

EU RoHS

**ELV and RoHS
 Compliant**
**REACH SVHC
 Not Reviewed**
**Halogen-Free
 Status
 Not Reviewed**

China RoHS



Need more information on product environmental compliance?

Email productcompliance@molex.com
 For a multiple part number RoHS Certificate of Compliance, [click here](#)

Please visit the [Contact Us](#) section for any non-product compliance questions.

Search Parts in this Series

[70400Series](#)

Mates With

[70544](#), [70546](#), [70554](#), [70556](#)

Use With

[7307](#) Tinned 28AWG, [7767](#) Topcoat 28AWG, [24241](#) Tinned 26AWG, [8996](#) Topcoat 26AWG, [24226](#) Tinned 24AWG, [8997](#) Topcoat 24AWG, [24369](#) High Flex 26AWG, [24389](#) High Flex 24AWG

Application Tooling | FAQ

Tooling specifications and manuals are found by selecting the products below. Crimp Height Specifications are then contained in the Application Tooling Specification document.

Global

Description	Product #
Hawk Semi-Automatic Discrete Wire Terminator for SL - Rebuilt US*	0011201337

Reference - Drawing Numbers

Product Specification
Sales Drawing

PS-70400
SDA-70400-0036-0059

Hawk™ Ribbon Cable Terminator for SL without Break-off	<u>0623003000</u>
Hawk™ Semi- Automatic Discrete Wire Terminator for SL	<u>0623003100</u>
Hawk™ Flat Flex Cable Terminator for SL with Break-off	<u>0623005200</u>
Hawk™ Ribbon Cable Terminator with for SL Break-off	<u>0623005300</u>
Hawk™ Semi- Automatic Discrete Wire Terminator for SL - Rebuilt CE Approved*	<u>0623004900</u>

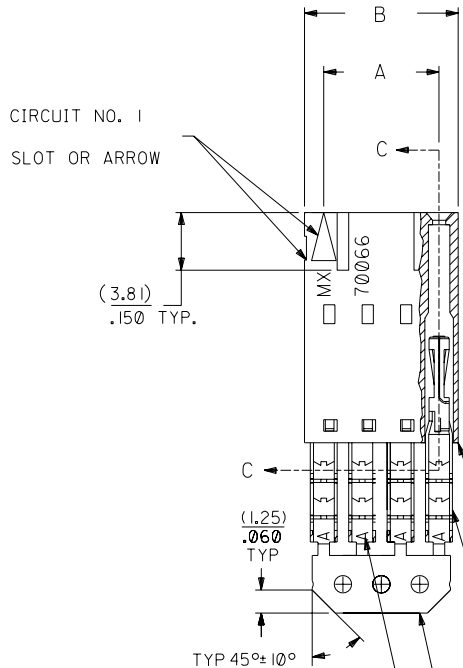
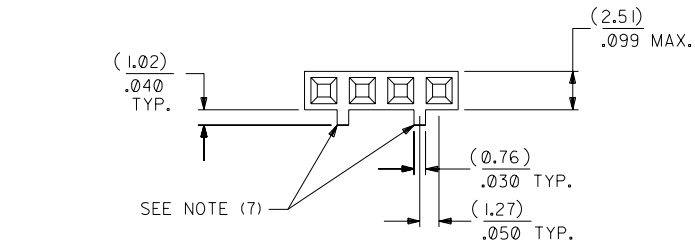
This document was generated on 03/30/2010

PLEASE CHECK WWW.MOLEX.COM FOR LATEST PART INFORMATION

OPTION C

NOTES:

- TO BE USED WITH (24) AWG. STRANDED WIRE WITH (1.35)/.053 DIA. MAX. INSULATION.
- SEE CHART FOR CIRCUIT SIZES.
- STANDARD PACKAGING PER PK-70400-0001. OPTIONAL PACKAGING MAY BE AVAILABLE, REQUEST DWG. PK-70400
- PARTS STACKABLE END TO END ON (2.54)/.100 CENTERS.
- REFER TO PRODUCT SPECIFICATION: PS-70400.
- SEE DWG. SDA-70400-***** (SHT. 5) FOR OPTIONAL HOUSING DETAILS.
- 4 CIRCUIT SHOWN. 4 - 25 CKT.'S. HAVE (2) RIBS.
- TO MATE WITH MOLEX PART NO.'S.: A-70374-****, A-70376-****, A-70390-****, A-70392-****, A-70544-****, A-70554-****, A-70542-****, A-70552-****, A-70546-****, A-70556-****.
- 2 CIRCUIT ASSEMBLIES SUPPLIED AS GROUPED PAIRS.



I.D. SLOT CODE TO WIRE GAUGE CHART	
I.D. SLOT CODE	WIRE GAUGE
A	24 AWG.

PLATING CODE (STRIPE ON CARRIER STRIP)	
PLATING	COLOR
TIN	NONE

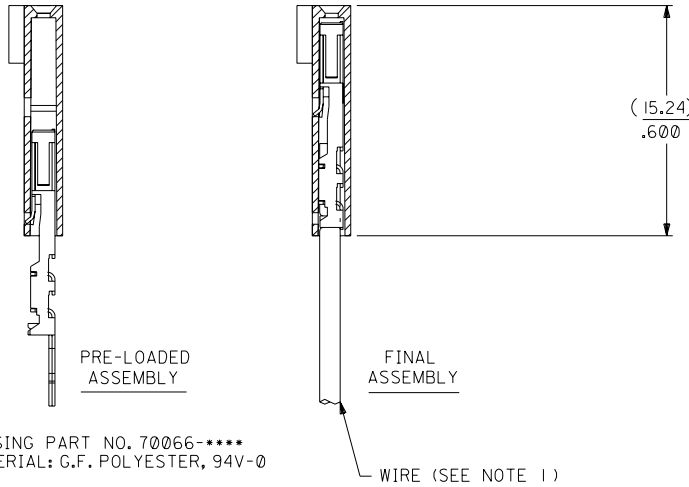
HOUSING PART NO. 70066-****
MATERIAL: G.F. POLYESTER, 94V-0

TERMINAL PART NO. 70028-****
MATERIAL: PHOSPHOR BRONZE
PLATING PER ES-88-***

TIN - .000150 MIN. TIN OVER
.000050 MIN. NICKEL PLATE.



SECTION C-C



PRE-LOADED ASSEMBLY

FINAL ASSEMBLY

WIRE (SEE NOTE 1)

*THE PRIMARY SHIPPING CARTON WILL BE LABELED "COMPLIANT TO ROHS DIRECTIVE 2002/95/EC AND ELV ANNEX II OF DIRECTIVE 2000/53/EC". CARTONS WITHOUT THIS LABEL MAY CONTAIN PRODUCT WITH LEAD.

CKT. SIZE	A	B	EDP. NO.	ENG. NO.
2	(2.54) .100	(5.05) .199	14-60-0027	A-70400-0036
3	(5.08) .200	(7.59) .299	14-60-0037	A-70400-0037
4	(7.62) .300	(10.13) .399	14-60-0047	A-70400-0038
5	(10.16) .400	(12.67) .499	14-60-0057	A-70400-0039
6	(12.70) .500	(15.21) .599	14-60-0067	A-70400-0040
7	(15.24) .600	(17.75) .699	14-60-0077	A-70400-0041
8	(17.78) .700	(20.29) .799	14-60-0087	A-70400-0042
9	(20.32) .800	(22.83) .899	14-60-0097	A-70400-0043
10	(22.86) .900	(25.37) .999	14-60-0107	A-70400-0044
11	(25.54) 1.000	(27.91) 1.099	14-60-0117	A-70400-0045
12	(27.94) 1.100	(30.45) 1.199	14-60-0127	A-70400-0046
13	(30.48) 1.200	(32.99) 1.299	14-60-0137	A-70400-0047
14	(33.02) 1.300	(35.53) 1.399	14-60-0147	A-70400-0048
15	(35.56) 1.400	(38.07) 1.499	14-60-0157	A-70400-0049
16	(38.01) 1.500	(40.61) 1.599	14-60-0167	A-70400-0050
17	(40.64) 1.600	(43.15) 1.699	14-60-0177	A-70400-0051
18	(43.18) 1.700	(45.69) 1.799	14-60-0187	A-70400-0052
19	(45.72) 1.800	(48.23) 1.899	14-60-0197	A-70400-0053
20	(48.26) 1.900	(50.77) 1.999	14-60-0207	A-70400-0054
21	(50.80) 2.000	(53.31) 2.099	14-60-0217	A-70400-0055
22	(53.34) 2.100	(55.85) 2.199	14-60-0227	A-70400-0056
23	(55.88) 2.200	(58.39) 2.299	14-60-0237	A-70400-0057
24	(58.42) 2.300	(60.93) 2.399	14-60-0247	A-70400-0058
25	(60.96) 2.400	(63.47) 2.499	14-60-0257	A-70400-0059

G	LEAD FREE UCP2004-1769 RWHITE 04/03/17	E	REVISED PER ECR NO. U82110 10-17-88 BJS	DIMENSIONS SHOWN (METRIC) INCH UNLESS OTHERWISE SPECIFIED TOLERANCES: ANGULAR ± 1/2°		▽ = 0 ▼ = 0	REVISE ONLY ON CAD SYSTEM																								
FI	ADD CARRIER CHAMF ECN #UDT1998-0280 05/20/98 LMCGRATH	D	REVISE PER ECR #U80110 2/3/88 MJM	<table border="1"> <thead> <tr> <th colspan="2">INCH</th> <th colspan="2">METRIC</th> </tr> </thead> <tbody> <tr> <td>3 PLACE</td> <td>± .010</td> <td>---</td> <td>---</td> </tr> <tr> <td>2 PLACE</td> <td>± .014</td> <td>± 0.25</td> <td>---</td> </tr> <tr> <td>1 PLACE</td> <td>---</td> <td>± 0.35</td> <td>---</td> </tr> </tbody> </table>		INCH		METRIC		3 PLACE	± .010	---	---	2 PLACE	± .014	± 0.25	---	1 PLACE	---	± 0.35	---	<table border="1"> <tr> <td colspan="2">MFG. SH. REV.</td> </tr> <tr> <td colspan="2">TITLE ASSEMBLY, SL CONNECTOR (SINGLE ROW- (2.54)/.100 GRID)</td> </tr> <tr> <td colspan="2">MOLEX INCORPORATED LITSE, ILL. 60532 U.S.A.</td> </tr> <tr> <td>SHEET NO. 60532</td> <td>DATE 10/09/84</td> </tr> </table>		MFG. SH. REV.		TITLE ASSEMBLY, SL CONNECTOR (SINGLE ROW- (2.54)/.100 GRID)		MOLEX INCORPORATED LITSE, ILL. 60532 U.S.A.		SHEET NO. 60532	DATE 10/09/84
INCH		METRIC																													
3 PLACE	± .010	---	---																												
2 PLACE	± .014	± 0.25	---																												
1 PLACE	---	± 0.35	---																												
MFG. SH. REV.																															
TITLE ASSEMBLY, SL CONNECTOR (SINGLE ROW- (2.54)/.100 GRID)																															
MOLEX INCORPORATED LITSE, ILL. 60532 U.S.A.																															
SHEET NO. 60532	DATE 10/09/84																														
F	164 PLATING WAS 102 PER ECR # U30941 07/07/93 REED	C	REDRAWN ON CAD ECR# 8842 5/8/86 W.Z.	<table border="1"> <tr> <td>DRWG. BY WAZ</td> <td>CHK'D. BY WAZ</td> </tr> <tr> <td>APP'D. BY</td> <td>SCALE 4 : 1</td> </tr> </table>		DRWG. BY WAZ	CHK'D. BY WAZ	APP'D. BY	SCALE 4 : 1	<table border="1"> <tr> <td colspan="2">PART NO. SEE CHART SDA-70400-0036-0059</td> </tr> <tr> <td>FILE NAME 570400CX1</td> <td>THIS DRAWING CONTAINS INFORMATION THAT IS PROPRIETARY TO MOLEX INC. AND SHOULD NOT BE USED WITHOUT WRITTEN PERMISSION.</td> </tr> </table>		PART NO. SEE CHART SDA-70400-0036-0059		FILE NAME 570400CX1	THIS DRAWING CONTAINS INFORMATION THAT IS PROPRIETARY TO MOLEX INC. AND SHOULD NOT BE USED WITHOUT WRITTEN PERMISSION.																
DRWG. BY WAZ	CHK'D. BY WAZ																														
APP'D. BY	SCALE 4 : 1																														
PART NO. SEE CHART SDA-70400-0036-0059																															
FILE NAME 570400CX1	THIS DRAWING CONTAINS INFORMATION THAT IS PROPRIETARY TO MOLEX INC. AND SHOULD NOT BE USED WITHOUT WRITTEN PERMISSION.																														
LTR.	REVISIONS	LTR.	REVISIONS	<table border="1"> <tr> <td>DRWG. NO. WAZ</td> <td>DIV. DA</td> </tr> </table>				DRWG. NO. WAZ	DIV. DA																						
DRWG. NO. WAZ	DIV. DA																														