

**PLEASE CHECK WWW.MOLEX.COM FOR LATEST PART INFORMATION**

**Part Number:** **0014600116**  
**Status:** **Active**  
**Description:** 2.54mm (.100") Pitch SL™ Insulation Displacement Connector Assembly, Female, Single Row, Version G, Positive Lock, Wire Size 28, 3.81µm (150µ") Tin/Lead (SnPb), 11 Circuits

**Documents:**

[3D Model](#) [Product Specification PS-70400 \(PDF\)](#)  
[Drawing \(PDF\)](#) [RoHS Certificate of Compliance \(PDF\)](#)

**Agency Certification**

CSA LR19980  
 UL E29179

**General**

Product Family Ribbon Cable / Wire Trap Connectors  
 Series [70400](#)  
 Comments Terminals Preloaded  
 Component Type Housing  
 Glow-Wire Compliant No  
 Product Name SL™

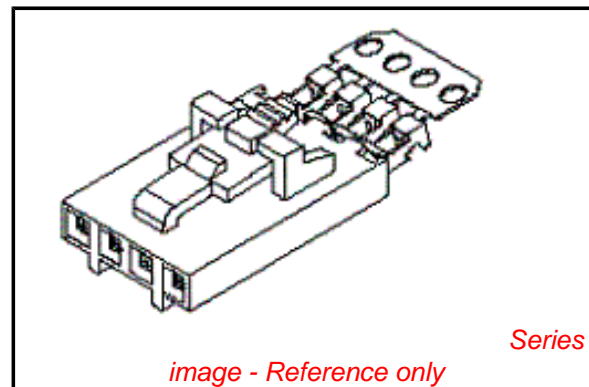
**Physical**

Circuits (Loaded) 11  
 Color - Resin Black  
 Durability (mating cycles max) 25  
 Entry Angle Vertical  
 Flammability 94V-0  
 Lock to Mating Part Yes  
 Material - Metal Phosphor Bronze  
 Material - Plating Mating Tin  
 Material - Plating Termination Tin  
 Material - Resin Polyester Alloy  
 Number of Rows 1  
 PCB Retention None  
 Packaging Type Tube  
 Pitch - Mating Interface (in) 0.100 In  
 Pitch - Mating Interface (mm) 2.54 mm  
 Plating min: Mating (µin) 150  
 Plating min: Mating (µm) 3.75  
 Plating min: Termination (µin) 75  
 Plating min: Termination (µm) 1.875  
 Polarized to Mating Part Yes  
 Stackable Yes  
 Surface Mount Compatible (SMC) N/A  
 Temperature Range - Operating -40°C to +105°C  
 Termination Interface: Style IDT or Pierce  
 Wire Insulation Diameter 1.35mm (.053") max.  
 Wire Size AWG 28  
 Wire/Cable Type Discrete Wire, Ribbon Cable

**Electrical**

Current - Maximum per Contact 1.2A  
 Voltage - Maximum 250V

**Material Info**



**EU RoHS**

**ELV and RoHS Compliant**  
**REACH SVHC Not Reviewed**  
**Halogen-Free Status Not Reviewed**

**China RoHS**



**Need more information on product environmental compliance?**

Email [productcompliance@molex.com](mailto:productcompliance@molex.com)  
 For a multiple part number RoHS Certificate of Compliance, [click here](#)

Please visit the [Contact Us](#) section for any non-product compliance questions.

**Search Parts in this Series**

[70400Series](#)

**Mates With**

[70018](#) , [70107A/B](#), [70543](#), [70545](#) , [70553](#) , [70555](#)

**Use With**

[7307](#) Tinned 28AWG, [7767](#) Topcoat 28AWG, [24241](#) Tinned 26AWG, [8996](#) Topcoat 26AWG, [24226](#) Tinned 24AWG, [8997](#) Topcoat 24AWG, [24369](#) High Flex 26AWG, [24389](#) High Flex 24AWG

**Application Tooling | FAQ**

*Tooling specifications and manuals are found by selecting the products below. Crimp Height Specifications are then contained in the Application Tooling Specification document.*

**Global**

Description	Product #
Hawk Semi-Automatic Discrete	<a href="#">0011201337</a>

## Reference - Drawing Numbers

Product Specification  
Sales Drawing

PS-70400  
SDA-70400-0491-0514

Wire Terminator for SL - Rebuilt US*	
Hawk™ Ribbon	<u>0623003000</u>
Cable Terminator for SL without Break-off	
Hawk™ Semi- Automatic Discrete	<u>0623003100</u>
Wire Terminator for SL	
Hawk™ Flat Flex	<u>0623005200</u>
Cable Terminator for SL with Break-off	
Hawk™ Ribbon	<u>0623005300</u>
Cable Terminator with for SL Break-off	
Hawk™ Semi- Automatic Discrete	<u>0623004900</u>
Wire Terminator for SL - Rebuilt CE Approved*	

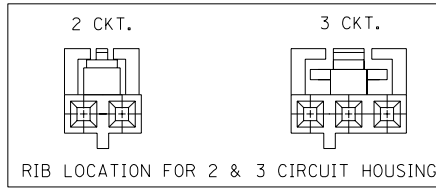
This document was generated on 03/30/2010

**PLEASE CHECK [WWW.MOLEX.COM](http://WWW.MOLEX.COM) FOR LATEST PART INFORMATION**

# OPTION G

## NOTES:

- TO BE USED WITH (28) AWG. STRANDED WIRE WITH (1.35)/.053 DIA. MAX. INSULATION.
- SEE CHART FOR CIRCUIT SIZES.
- STANDARD PACKAGING PER PK-70873-0001. OPTIONAL PACKAGING MAY BE AVAILABLE, REQUEST DWG. PK-70400
- PARTS STACKABLE END TO END ON (2.54)/.100 CENTERS.
- REFER TO PRODUCT SPECIFICATION: PS-70400.
- SEE DWG. SDA-70400-\*\*\*\* (SHT. 5) FOR OPTIONAL HOUSING DETAILS.
- 4 CIRCUIT SHOWN. 4 - 25 CKT'S. HAVE (2) RIBS.
- TO MATE WITH MOLEX PART NO'S.: A-70373-\*\*\*\*, A-70375-\*\*\*\*, A-70389-\*\*\*\*, A-70391-\*\*\*\*, 70107-\*\*\*\*, 70018-\*\*\*\*, A-70543-\*\*\*\*, A-70553-\*\*\*\*, A-70541-\*\*\*\*, A-70551-\*\*\*\*, A-70545-\*\*\*\*, A-70555-\*\*\*\*.
- 2 CIRCUIT ASSEMBLIES SUPPLIED AS GROUPED PAIRS.



## SECTION C-C

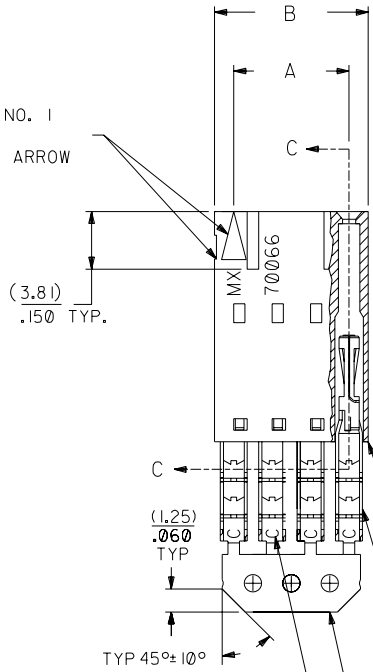
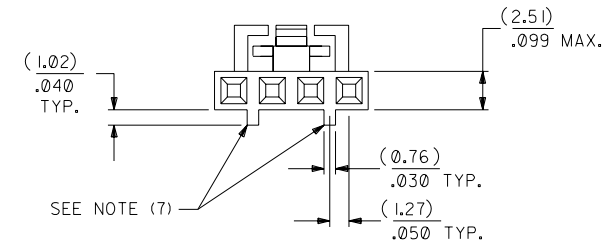


HOUSING PART NO. 70066-\*\*\*\*  
MATERIAL: G.F. POLYESTER, 94V-0

TERMINAL PART NO. 70028-\*\*\*\*  
MATERIAL: PHOSPHOR BRONZE  
PLATING PER ES-88-\*\*\*

TIN - .000150 MIN. TIN OVER  
.000050 MIN. NICKEL PLATE.

CIRCUIT NO. 1  
SLOT OR ARROW



I.D. SLOT CODE TO WIRE GAUGE CHART	
I.D. SLOT CODE	WIRE GAUGE
C	28 AWG.

PLATING CODE (STRIPE ON CARRIER STRIP)	
PLATING	COLOR
TIN	NONE

CKT. SIZE	A	B	EDP. NO.	ENG. NO.
2	( 2.54 ) .100	( 5.05 ) .199	14-60-0026	A-70400-0491
3	( 5.08 ) .200	( 7.59 ) .299	14-60-0036	A-70400-0492
4	( 7.62 ) .300	( 10.13 ) .399	14-60-0046	A-70400-0493
5	( 10.16 ) .400	( 12.67 ) .499	14-60-0056	A-70400-0494
6	( 12.70 ) .500	( 15.21 ) .599	14-60-0066	A-70400-0495
7	( 15.24 ) .600	( 17.75 ) .699	14-60-0076	A-70400-0496
8	( 17.78 ) .700	( 20.29 ) .799	14-60-0086	A-70400-0497
9	( 20.32 ) .800	( 22.83 ) .899	14-60-0096	A-70400-0498
10	( 22.86 ) .900	( 25.37 ) .999	14-60-0106	A-70400-0499
11	( 25.54 ) 1.000	( 27.91 ) 1.099	14-60-0116	A-70400-0500
12	( 27.94 ) 1.100	( 30.45 ) 1.199	14-60-0126	A-70400-0501
13	( 30.48 ) 1.200	( 32.99 ) 1.299	14-60-0136	A-70400-0502
14	( 33.02 ) 1.300	( 35.53 ) 1.399	14-60-0146	A-70400-0503
15	( 35.56 ) 1.400	( 38.07 ) 1.499	14-60-0156	A-70400-0504
16	( 38.01 ) 1.500	( 40.61 ) 1.599	14-60-0166	A-70400-0505
17	( 40.64 ) 1.600	( 43.15 ) 1.699	14-60-0176	A-70400-0506
18	( 43.18 ) 1.700	( 45.69 ) 1.799	14-60-0186	A-70400-0507
19	( 45.72 ) 1.800	( 48.23 ) 1.899	14-60-0196	A-70400-0508
20	( 48.26 ) 1.900	( 50.77 ) 1.999	14-60-0206	A-70400-0509
21	( 50.80 ) 2.000	( 53.31 ) 2.099	14-60-0216	A-70400-0510
22	( 53.34 ) 2.100	( 55.85 ) 2.199	14-60-0226	A-70400-0511
23	( 55.88 ) 2.200	( 58.39 ) 2.299	14-60-0236	A-70400-0512
24	( 58.42 ) 2.300	( 60.93 ) 2.399	14-60-0246	A-70400-0513
25	( 60.96 ) 2.400	( 63.47 ) 2.499	14-60-0256	A-70400-0514

\*THE PRIMARY SHIPPING CARTON WILL BE LABELED "COMPLIANT TO ROHS DIRECTIVE 2002/95/EC AND ELV ANNEX II OF DIRECTIVE 2000/53/EC". CARTONS WITHOUT THIS LABEL MAY CONTAIN PRODUCT WITH LEAD.

DIMENSIONS SHOWN (METRIC) INCH UNLESS OTHERWISE SPECIFIED TOLERANCES: ANGULAR ± 1/2°		INCH METRIC	
3 PLAGE	± .010	---	---
2 PLAGE	± .014	± 0.25	---
1 PLAGE	---	± 0.35	---

DRWG. BY: W.Z	CHK'D. BY: W.Z	SCALE: 4:1
APP'D. BY:		

ADD CARRIER CHAMF ECN #UDT1998-0280 05/20/98 LMCCRATH 164 PLATING WAS 102 PER ECR # U30941 07/14/93 REED	REVISED PER ECR# U00049 9-26-90 MCB
--	-------------------------------------

FILE NAME: S70400GK3	THIS DRAWING CONTAINS INFORMATION THAT IS PROPRIETARY TO MOLEX INC. AND SHOULD NOT BE USED WITHOUT WRITTEN PERMISSION.
----------------------	--

MOLEX INCORPORATED	SHEET NO. 60532	DATE 10/09/84
ASSEMBLY, SL CONNECTOR (SINGLE ROW- (2.54)/.100 GRID)		
SEE CHART SDA-70400-0491-0514		

LTR.	REVISIONS	LTR.	REVISIONS

MFG. SH. REV.

70400

A