

**PLEASE CHECK WWW.MOLEX.COM FOR LATEST PART INFORMATION**

**Part Number:** [0190670063](#)  
**Status:** **Active**  
**Description:** NylaKrimp™ Funnel Entry Ring Tongue Terminal for 6 AWG Wire, Stud #9

**Documents:**

[Drawing \(PDF\)](#) [RoHS Certificate of Compliance \(PDF\)](#)

**Agency Certification**

CSA LR18689  
 UL E32244

**General**

Product Family Ring and Spade Terminals  
 Series [19067](#)  
 Crimp Quality Equipment Yes  
 Mil-Spec N/A  
 Product Name NylaKrimp™  
 Type Ring

**Physical**

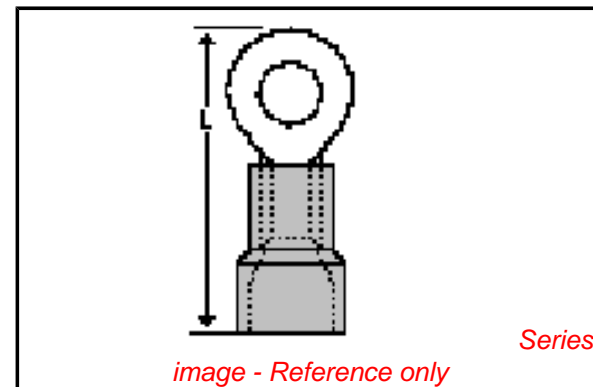
Barrel Type Closed - Brazed  
 Flammability 94V-0  
 Insulation Nylon (PA)  
 Material - Plating Mating Tin  
 Packaging Type Bag  
 Plating min: Mating (µin) 100  
 Plating min: Mating (µm) 2.5  
 Plating min: Termination (µin) 100  
 Plating min: Termination (µm) 2.5  
 Stud Size 3/8" (M9)  
 Termination Interface: Style Crimp or Compression  
 Wire Insulation Diameter 10.87mm (.428") max.  
 Wire Size AWG 6

**Material Info**

Old Part Number E-958-38

**Reference - Drawing Numbers**

Sales Drawing SD-19067-014



**EU RoHS**

**ELV and RoHS Compliant**  
**REACH SVHC Contains SVHC: No**  
**Halogen-Free Status**  
**Not Reviewed**

**China RoHS**



**Need more information on product environmental compliance?**

Email [productcompliance@molex.com](mailto:productcompliance@molex.com)  
 For a multiple part number RoHS Certificate of Compliance, [click here](#)

Please visit the [Contact Us](#) section for any non-product compliance questions.

**Search Parts in this Series**

[19067Series](#)

**Application Tooling | [FAQ](#)**

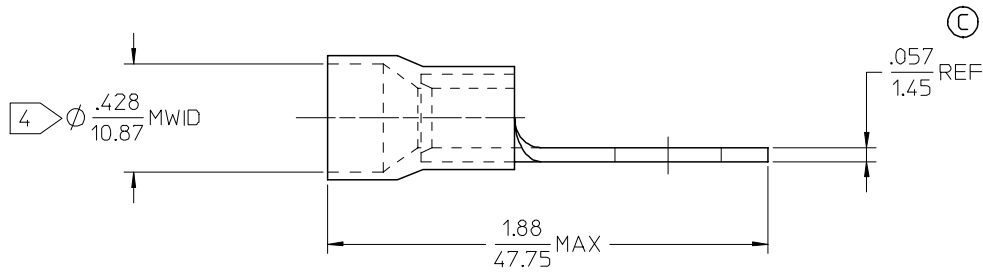
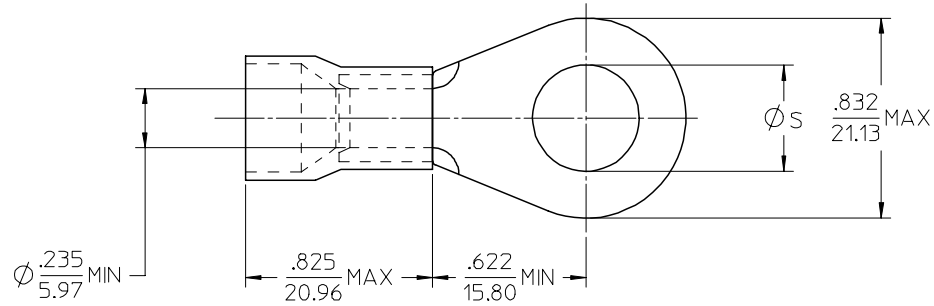
*Tooling specifications and manuals are found by selecting the products below. Crimp Height Specifications are then contained in the Application Tooling Specification document.*

**Global**

Description	Product #
Manual Putt Pump Hydraulic System, Die set required	<a href="#">0192860117</a>
Die Set (large) for the HHLS Hydraulic Crimper	<a href="#">0192890004</a>
Putt Pump Dieless Head System	<a href="#">0192860065</a>
Hand Crimp Tool	<a href="#">0640013900</a>

**PLEASE CHECK [WWW.MOLEX.COM](http://WWW.MOLEX.COM) FOR LATEST PART INFORMATION**

MATERIAL NO.	ENG. NO.	STUD SIZE	$\varnothing S \pm .005/0.13$
190670061	E-958-12	1/2	.515/13.08
190670062	E-958-14	1/4	.265/6.73
190670063	E-958-38	3/8	.390/9.91
190670064	E-958-58	5/8	.656/16.66
190670065	E-958-76	7/16	.453/11.51



NOTE(S):

1. TERMINAL MATERIAL: COPPER ALLOY.
2. TERMINAL FINISH: ELECTRO TIN PLATE.
3. INSULATION MATERIAL: NYLON, COLOR CODED BLUE.
4. MVID = MAXIMUM WIRE INSULATION DIAMETER.
5. ALL COMPONENTS ARE ROHS COMPLIANT.

REV	DESCRIPTION	QUALITY SYMBOLS	GENERAL TOLERANCES (UNLESS SPECIFIED)		DIMENSION STYLE		SCALE	DESIGN UNITS	THIRD ANGLE PROJECTION
			mm	INCH	IN/MM	INCH	INCH		
		= 0	4 PLACES	± ---	± ---	DRAWN BY	DATE	TITLE	MATERIAL NO.
		= 0	3 PLACES	± ---	± ---	EHILE	2006/10/16		
			2 PLACES	± ---	± ---	CHECKED BY	DATE	MOLEX INCORPORATED	SHEET NO.
			1 PLACE	± ---	± ---	JMACNEIL	2006/10/16		
			ANGULAR ± ---°			APPROVED BY	DATE		
			DRAFT WHERE APPLICABLE MUST REMAIN WITHIN DIMENSIONS			JMACNEIL	2006/10/16		
						SEE CHART			