

PLEASE CHECK WWW.MOLEX.COM FOR LATEST PART INFORMATION

Part Number: [0190670131](#)
Status: **Active**
Description: NylaKrimp™ Funnel Entry Ring Tongue Terminal for 4/0 AWG Wire, Stud #16

Documents:

[Drawing \(PDF\)](#) [RoHS Certificate of Compliance \(PDF\)](#)

Agency Certification

UL E32244

General

Product Family Ring and Spade Terminals
 Series [19067](#)
 Crimp Quality Equipment Yes
 Mil-Spec N/A
 Product Name NylaKrimp™
 Type Ring

Physical

Barrel Type Closed - Brazed
 Flammability 94V-0
 Insulation Nylon (PA)
 Material - Plating Mating Tin
 Packaging Type Bag
 Plating min: Mating (µin) 100
 Plating min: Mating (µm) 2.5
 Plating min: Termination (µin) 100
 Plating min: Termination (µm) 2.5
 Stud Size 5/8" (M16)
 Termination Interface: Style Crimp or Compression
 Wire Insulation Diameter 23.98mm (.940") max.
 Wire Size AWG 4/0
 Wire Size mm² 96.3 - 117.0

Material Info

Old Part Number L-995-58

Reference - Drawing Numbers

Sales Drawing SD-19067-009

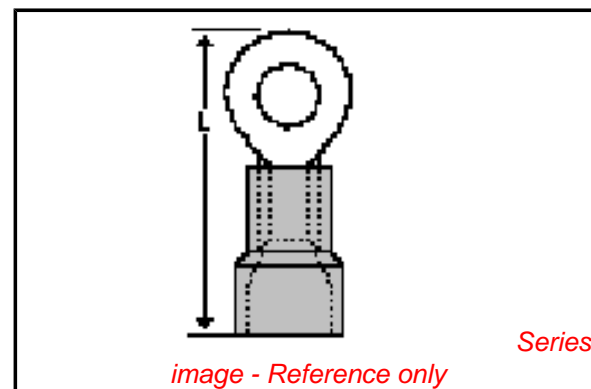


image - Reference only

EU RoHS

ELV and RoHS Compliant
REACH SVHC
 Not Reviewed
Halogen-Free Status

China RoHS



Not Reviewed

Need more information on product environmental compliance?

Email productcompliance@molex.com
 For a multiple part number RoHS Certificate of Compliance, [click here](#)

Please visit the [Contact Us](#) section for any non-product compliance questions.

Search Parts in this Series

[19067Series](#)

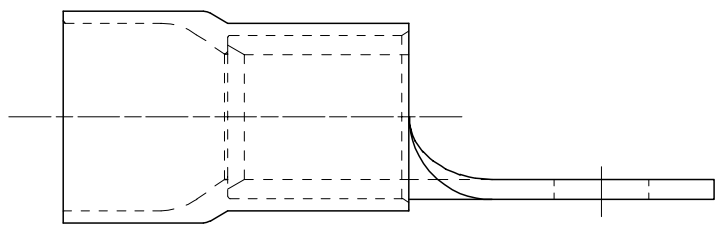
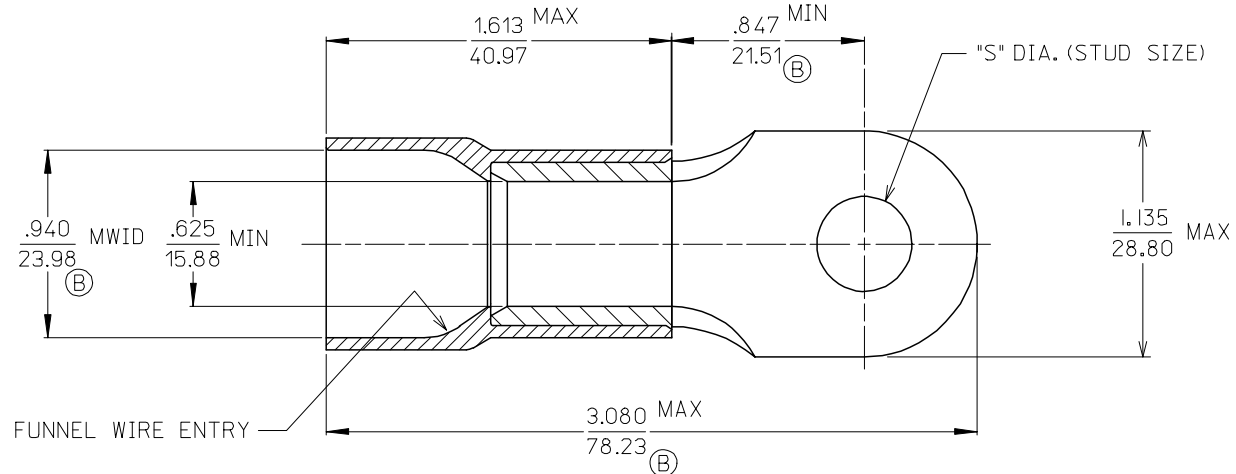
Application Tooling | [FAQ](#)

Tooling specifications and manuals are found by selecting the products below. Crimp Height Specifications are then contained in the Application Tooling Specification document.

Global

Description	Product #
Die Set (large) for the HHLS Hydraulic Crimper	0192890031

MATERIAL NUMBER	ALTERNATE NUMBER	STUD SIZES	"S" REF.
190670123	L-995-12	1/2	.515
190670124	L-995-38	3/8	.390
190670125	L-995-76	7/16	.453
190670131	L-995-58	5/8	.656
190670369	L-995-56	5/16	.313



CUSTOMER DRAWING

- NOTES:
1. MATERIAL: COPPER .102 THICK
PLATING: ELECTROPLATE TIN
 2. INSULATION: BLUE NYLON 6/6
 3. MWID=MAXIMUM WIRE INSULATION DIA.
 4. ALL COMPONENTS ARE ROHS COMPLIANT.

Added 5/16" Stud Size EC NO: ETC2006-0388 DRWN: JSCHOOLEY 2006/05/08 CHKD: RDEROSS 2006/05/11 APPR: RDEROSS 2006/05/11	QUALITY SYMBOLS ▽=0 ▽=0	GENERAL TOLERANCES (UNLESS SPECIFIED)		DIMENSION STYLE		SCALE	DESIGN UNITS	THIRD ANGLE PROJECTION			
			mm	INCH	IN/MM		---	INCH			
		4 PLACES	± ---	± ---	DRAWN BY		DATE	TITLE			
		3 PLACES	± ---	± .005	EDB		2001/02/02	NYLAKRIMP FUNNEL ENTRY RING TONGUE TERMINAL 4/0 AWG			
2 PLACES	± 0.13	± .01	CHECKED BY		DATE	MOLEX INCORPORATED					
1 PLACE	± 0.25	± ---	HEB		2001/02/02						
ANGULAR ±1/2°			APPROVED BY		DATE						
			RWD		2001/02/02						
DRAFT WHERE APPLICABLE MUST REMAIN WITHIN DIMENSIONS		MATERIAL NO.		DOCUMENT NO.		SHEET NO.					
		SEE CHART		SD-19067-009		1 OF 1					
		SIZE B		THIS DRAWING CONTAINS INFORMATION THAT IS PROPRIETARY TO MOLEX INCORPORATED AND SHOULD NOT BE USED WITHOUT WRITTEN PERMISSION							