

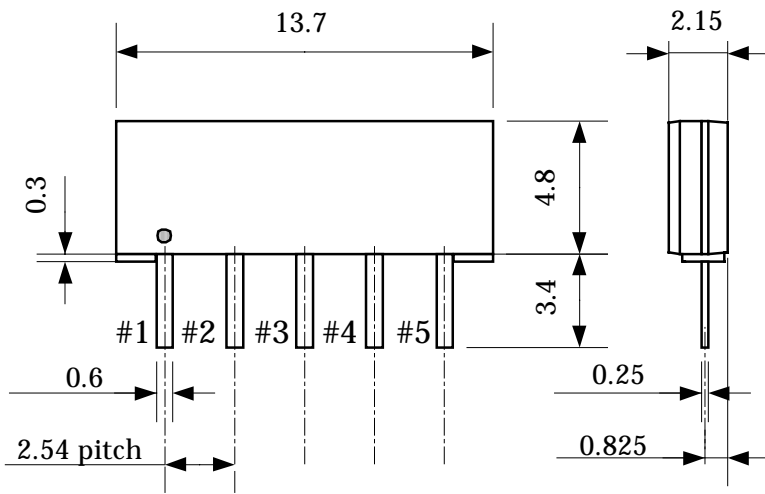
Customer Name	Standard specification	FUJITSU MEDIA DEVICES LIMITED	
Application	IF Filter for Terrestrial-TV/STB		
System	Europe / Asia		
Picture Carrier Frequency	36.125MHz	DATE	June 21, 2005
FMD Part Number	FAR-F4SE-36M125-H0E7	Version	2.0

Table 1 Proposal Specification (Ta=25°C)

Items	Conditions	Specification			Unit	Remarks
		Min.	Typ.	Max.		
Insertion Loss	36.13 MHz	18.9	20.4	21.9	dB	
Pass bandwidth	1dB	–	7.4	–	MHz	
	3dB	–	7.9	–	MHz	
	30dB	–	9.7	–	MHz	
Relative level	25.00 ~ 31.00 MHz	–	–38	–31	dB	
	31.25 MHz	–	–29	–	dB	
	32.13 MHz	–4.6	–3.6	–2.6	dB	
	32.32 MHz	–2.8	–1.8	–0.8	dB	
	36.13 MHz	–	0	–	dB	Reference
	39.94 MHz	–2.6	–1.6	–0.6	dB	
	40.13 MHz	–4.5	–3.5	–2.5	dB	
	47.25 MHz	–	–51	–40	dB	
	41.20 ~ 44.00 MHz	–	–36	–30	dB	
44.00 ~ 50.00 MHz	–	- 39	- 33	dB		
Group delay ripple (p-p)	32.13 ~ 40.13 MHz	–	33	–	ns	
Input Impedance	36.13 MHz	–	4.5//9.9	–	kΩ//pF	
Output Impedance	36.13 MHz	–	4.0//3.7	–	kΩ//pF	
Temperature coefficient		–	-72	–	ppm/°C	

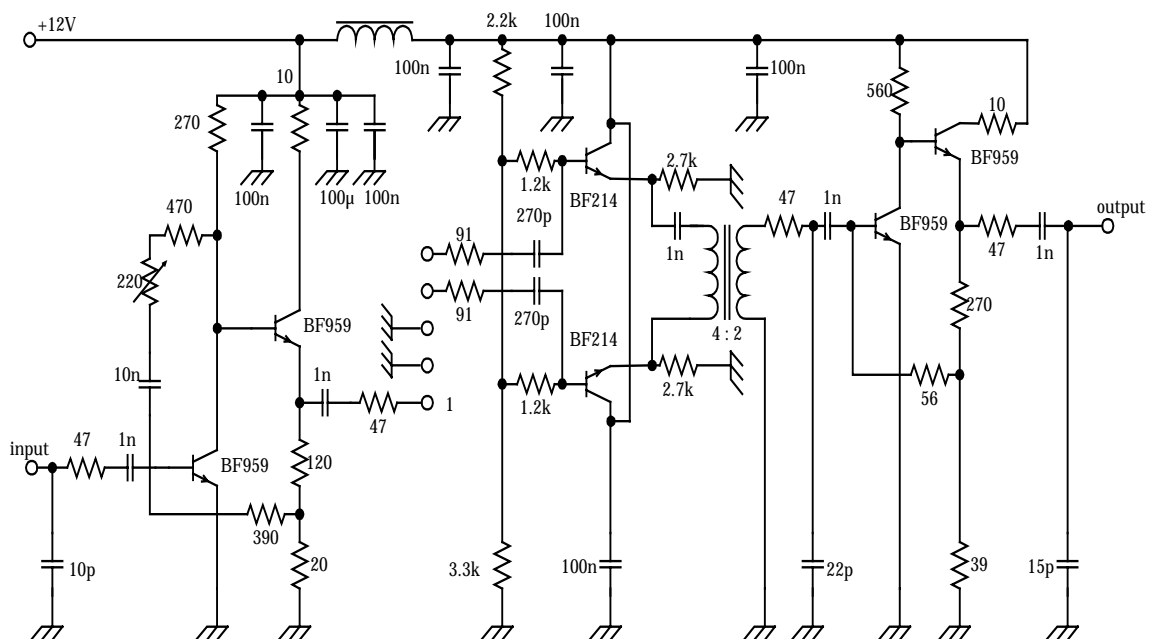
Customer Name	Standard specification		
Application	IF Filter for Terrestrial-TV/STB	FUJITSU MEDIA DEVICES LIMITED	
System	Europe / Asia		
Picture Carrier Frequency	36.125MHz	DATE	June 21, 2005
FMD Part Number	FAR-F4SE-36M125-H0E7	Version	2.0

1. Pin assignment of plastics Package



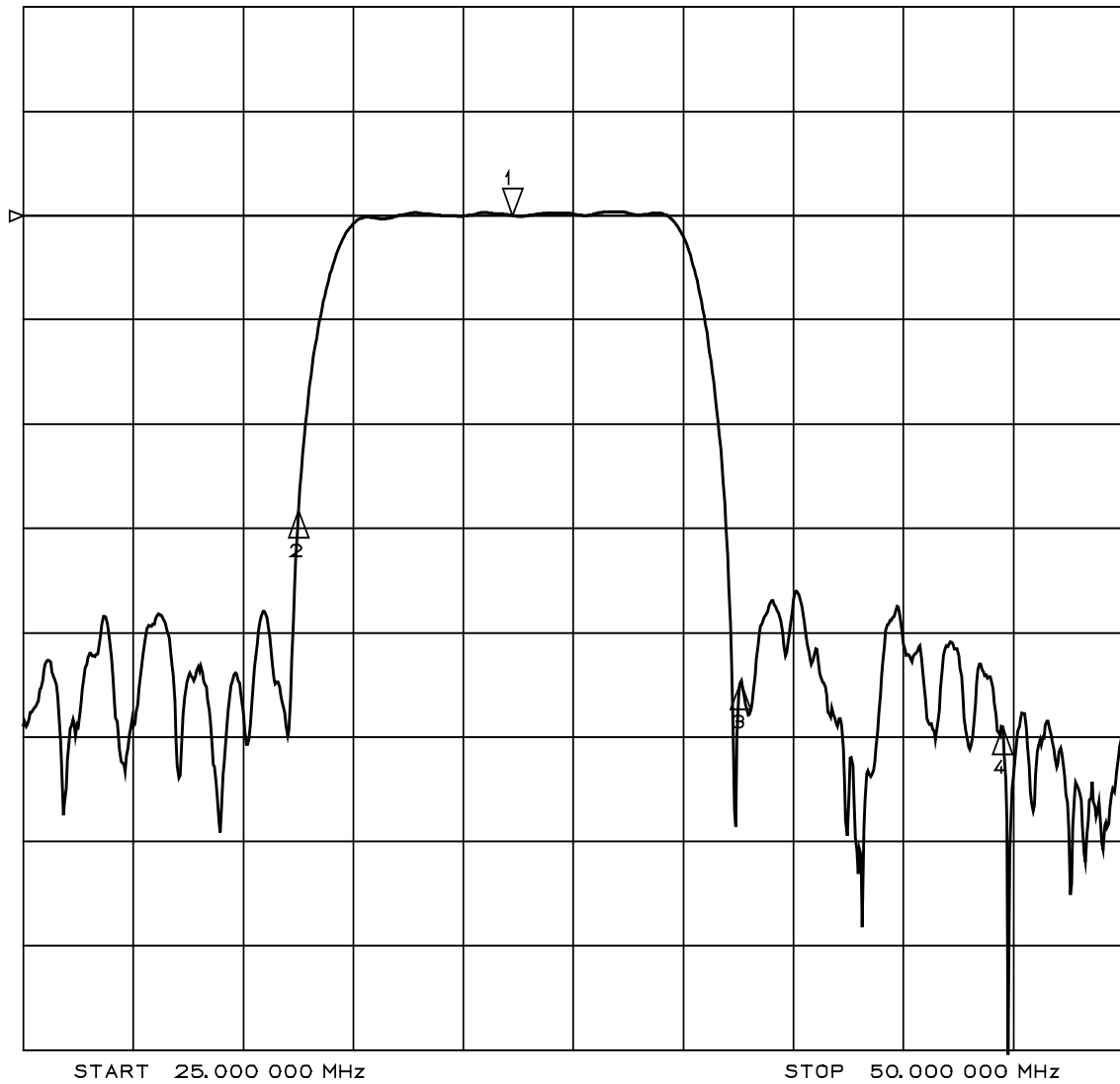
Pin No.	Pin name	Description
1	IN	input pin
2	IN	input pin (Ground)
3	GND	Ground pin
4	OUT	output pin
5	OUT	output pin

2. Measurement circuit



Customer Name	Standard specification	FUJITSU MEDIA DEVICES LIMITED	
Application	IF Filter for Terrestrial-TV/STB		
System	Europe / Asia		
Picture Carrier Frequency	36.125MHz	DATE	June 21, 2005
FMD Part Number	FAR-F4SE-36M125-H0E7	Version	2.0

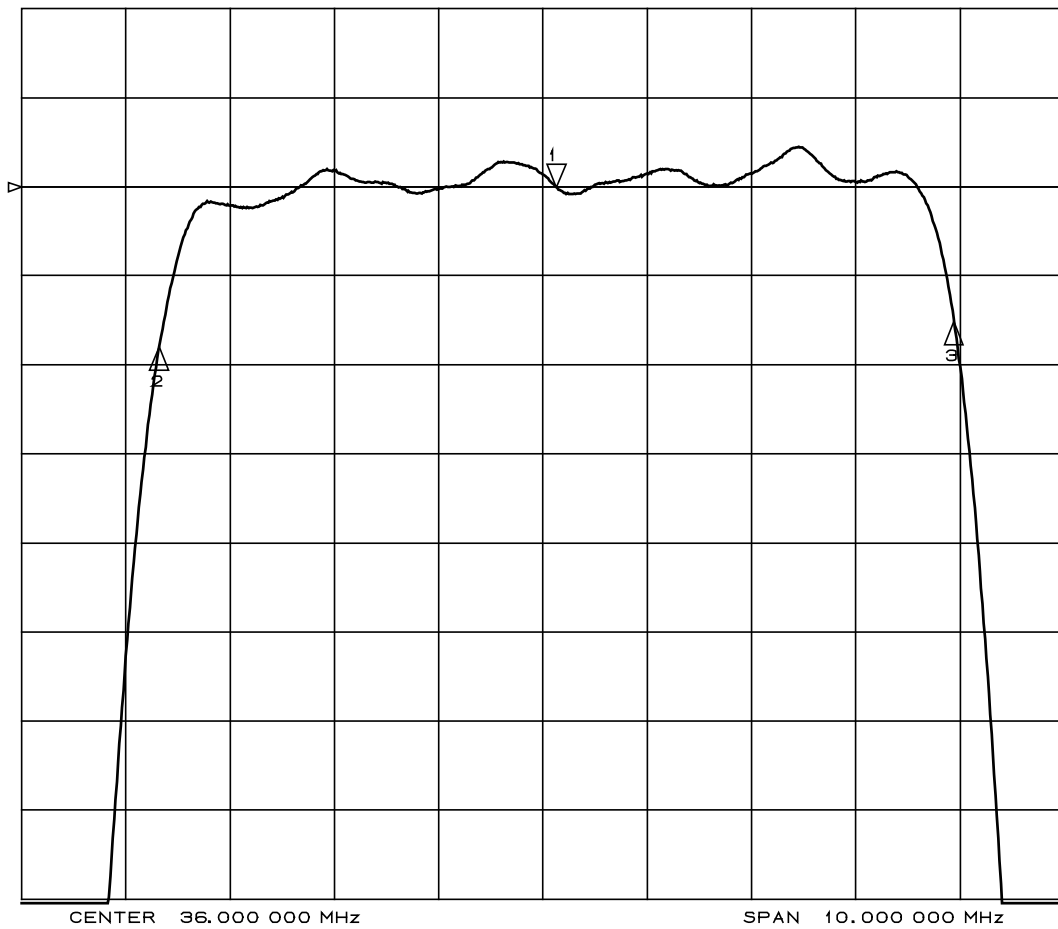
Amplitude Response (10dB/div)



- Marker 1 = 36.13 MHz
- Marker 2 = 31.25 MHz
- Marker 3 = 41.30 MHz
- Marker 4 = 47.25 MHz

Customer Name	Standard specification	FUJITSU MEDIA DEVICES LIMITED	
Application	IF Filter for Terrestrial-TV/STB		
System	Europe / Asia		
Picture Carrier Frequency	36.125MHz	DATE	June 21, 2005
FMD Part Number	FAR-F4SE-36M125-H0E7	Version	2.0

Amplitude Response (1dB/div)



Marker 1 = 36.13 MHz

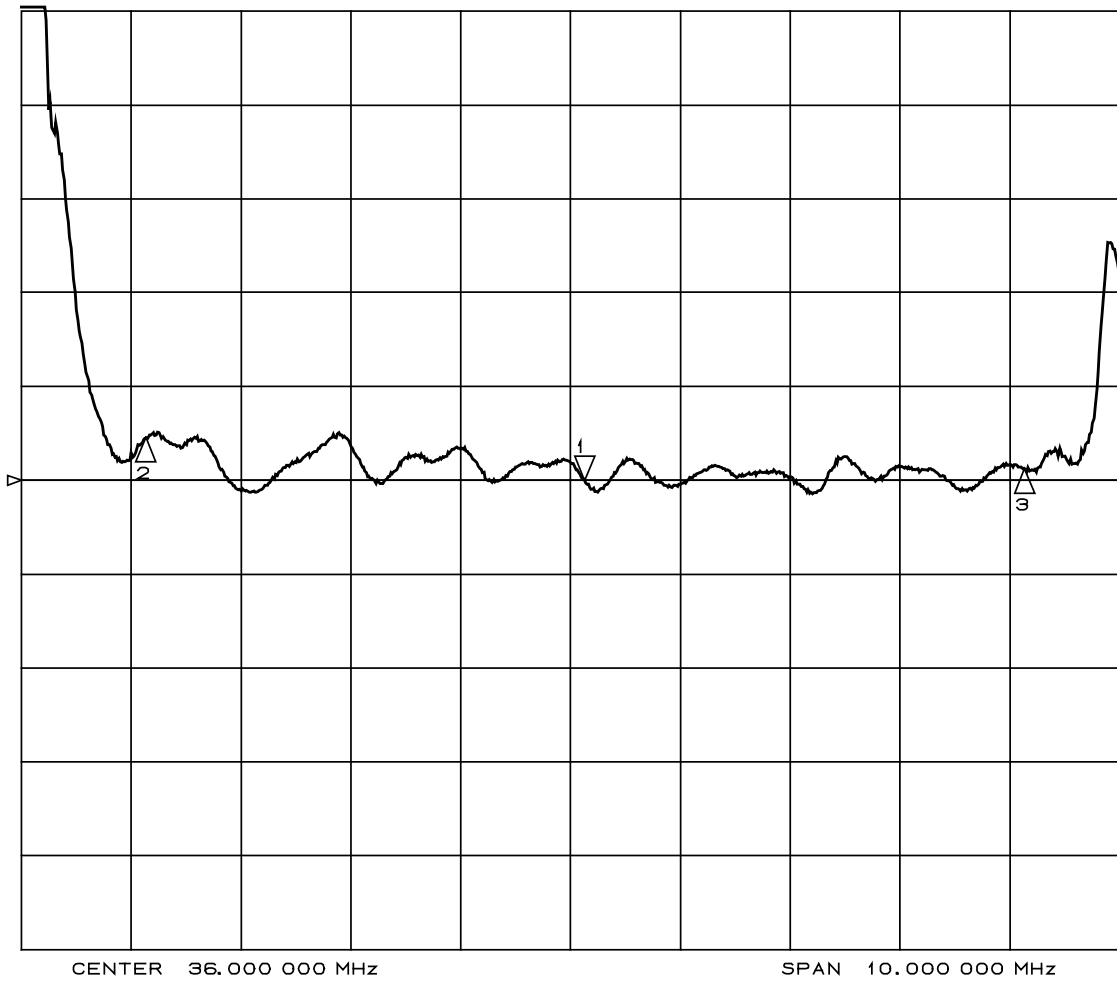
Marker 2 = 32.32 MHz

Marker 3 = 39.94 MHz

Customer Name	Standard specification	FUJITSU MEDIA DEVICES LIMITED	
Application	IF Filter for Terrestrial-TV/STB		
System	Europe / Asia		
Picture Carrier Frequency	36.125MHz	DATE	June 21, 2005
FMD Part Number	FAR-F4SE-36M125-H0E7	Version	2.0

Group Delay (50ns/div)

Delay Aper.=200kHz



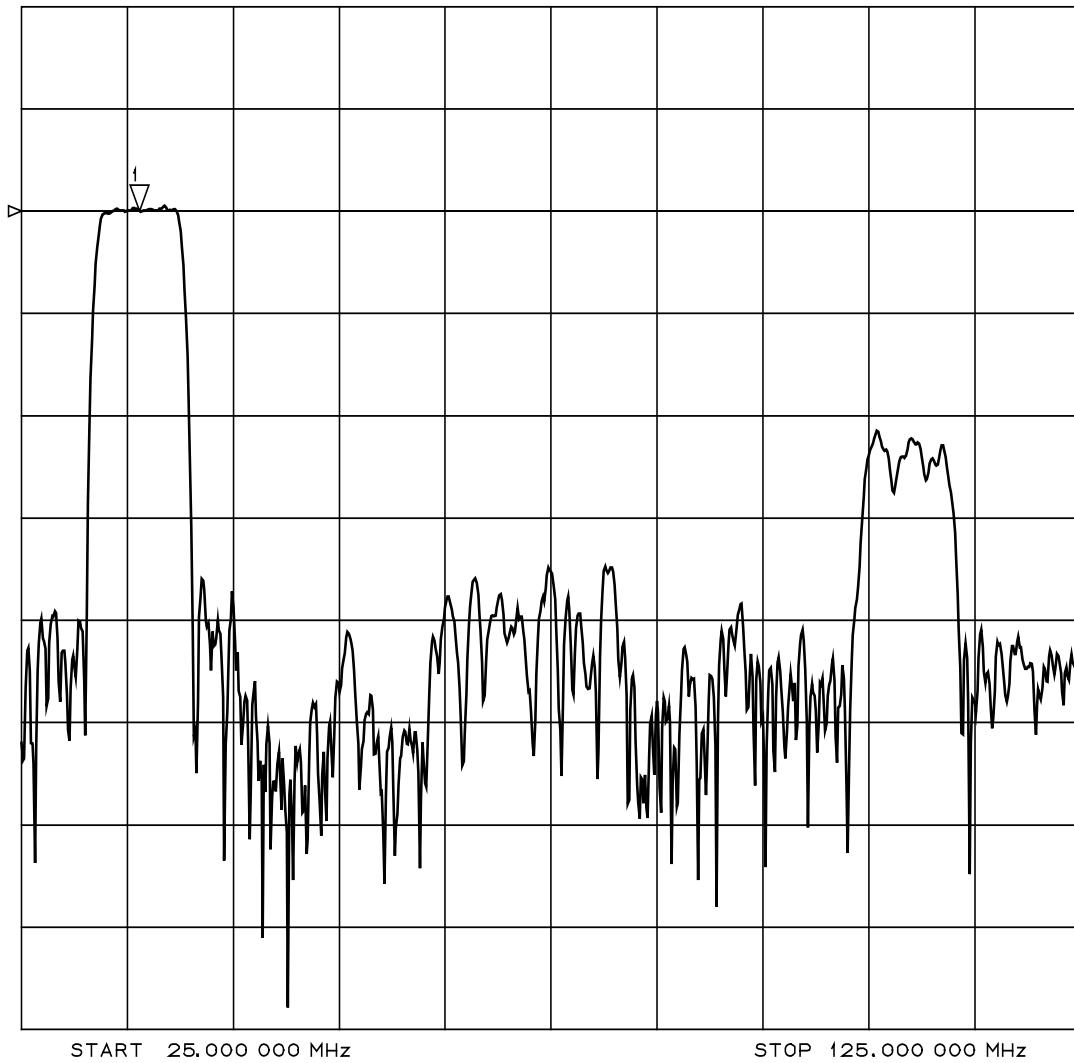
Marker 1 = 36.13 MHz

Marker 2 = 32.13 MHz

Marker 3 = 40.13 MHz

Customer Name	Standard specification	FUJITSU MEDIA DEVICES LIMITED	
Application	IF Filter for Terrestrial-TV/STB		
System	Europe / Asia		
Picture Carrier Frequency	36.125MHz	DATE	June 21, 2005
FMD Part Number	FAR-F4SE-36M125-H0E7	Version	2.0

Amplitude Response (10dB/div)
(25.0MHz ----- 125.0MHz)



Marker 1 = 36.13 MHz

Customer Name	Standard specification	FUJITSU MEDIA DEVICES LIMITED	
Application	IF Filter for Terrestrial-TV/STB		
System	Europe / Asia		
Picture Carrier Frequency	36.125MHz	DATE	June 21, 2005
FMD Part Number	FAR-F4SE-36M125-H0E7	Version	2.0

Time domain Response (10dB/div)

