



PRODUCT SPECIFICATION

Model No : CSS-15104V9/15105V9

Descriptions:

- 1.5 Inch Single Digit Display
- Emitting Color : Super Bright Orange



| CUSTOMER APPROVED | APPROVED BY | CHECKED BY | PREPARED BY |
|-------------------|-------------|------------|-------------|
| SIGNATURES | | | 陳新強 |
| | | | |

CHINA SEMICONDUCTOR CORPORATION

Address:2FL. NO.909,Chung-Cheng Road,
Chung-Ho City Taipei Hsien,Taiwan.

Tel:886-2-2223-9696

Fax:886-2-2223-9377

OPTO PLUS TECHNOLOGIES CO.,LTD

Address:696 Shun jiang Rd.,Ji Shan St.Shaoxing,
ZheJiang,China

Tel:86-0575-8623888

Fax:86-0575-8623112



| | |
|-----------|------------|
| Spec. No. | PS-ND-0711 |
| Rev. | A |

Model No : CSS-15104V9/15105V9

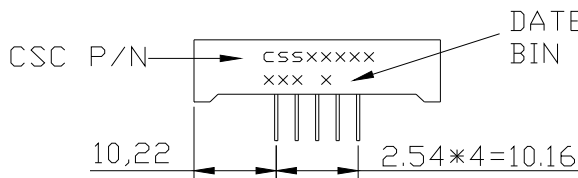
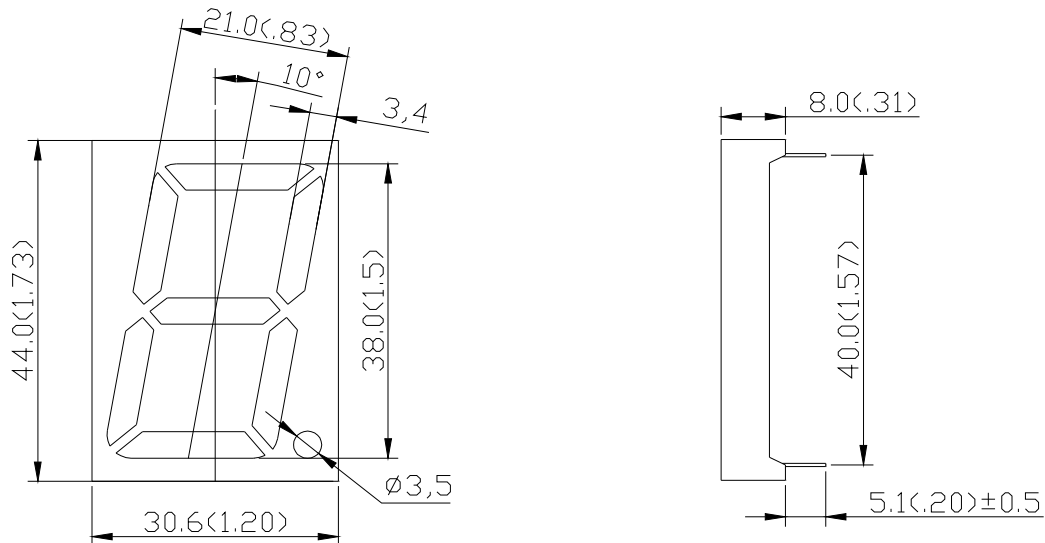
■ Features -

1. 1.5 inch (38.0mm) digit height.
2. Case mold type.
3. RoHS compliant.
4. Low power consumption.
5. ESD>1KV(HBM)
6. Easy mounting on P.C. board or socket.

■ Device Selection Guide -

| Part No. | Chip | | Description |
|--------------------|----------------|----------------------------|-----------------------|
| | Material | Emitted Color | |
| CSS-15104V9 | AlGaInP | Super Bright Orange | Common Anode |
| CSS-15105V9 | AlGaInP | Super Bright Orange | Common Cathode |

■ Mechanical Dimensions -



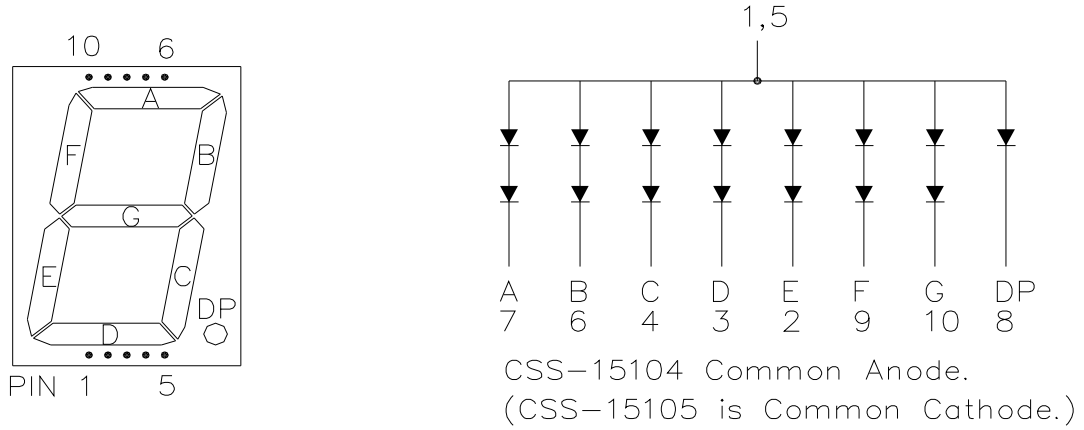
NOTE:

1. All pins are ± 0.5 (0.02).
2. Dimension in millimeter (inch), and tolerance is 0.25 (0.01) unless otherwise noted.



Model No : CSS-15104V9/15105V9

Internal Circuit Diagrams -



Absolute Maximum Rating -

(Ta=25°C)

| Parameter | Symbol | Rating | Unit |
|---|-------------|-----------|-------|
| Power Dissipation Per Dice | Pd | 75 | mW |
| Continuous Forward Current Per Dice | IAF | 25 | mA |
| Peak Current Per Dice (duty cycle 1/10,1KHz) | IPF | 90 | mA |
| Derating Linear From 25°C Per Dice | - | 0.33 | mA/°C |
| Reverse Voltage Per Dice | VR | 5 | V |
| Operating Temp. | Topr | -35 ~ +85 | °C |
| Storage Temp. | Tstg | -35 ~ +85 | °C |
| Solder temperature 1/16 inch below seating plane for 3 seconds at 260°C | | | |



Model No : CSS-15104V9/15105V9

■ Electro-optical Characteristics -

(Ta=25°C)

| Parameter | Symbol | Min. | Typ. | Max. | Unit | Condition |
|-----------------------------------|------------------|------|----------|----------|---------|-----------|
| Forward Voltage Per Segment (DP) | VF | - | 4.2(2.1) | 5.6(2.8) | V | IF=20mA |
| Luminous Intensity Per Segment | Iv | - | 45 | - | mcd | IF=10mA |
| Peak Emission Wavelength | λ_p | - | 632 | - | nm | IF=20mA |
| Dominant Wavelength | λ_d | - | 624 | - | nm | IF=20mA |
| Spectrum Radiation Bandwidth | $\Delta \lambda$ | - | 20 | - | nm | IF=20mA |
| Reverse Current | IR | - | - | 100 | μA | VR=10V |
| Luminous Intensity Matching Ratio | IV-m | - | - | 2:1 | - | IF=10mA |



Model No : CSS-15104V9/15105V9

■ Typical Electrical / Optical Characteristics Curves -

(Ta = 25°C Unless Otherwise Noted)

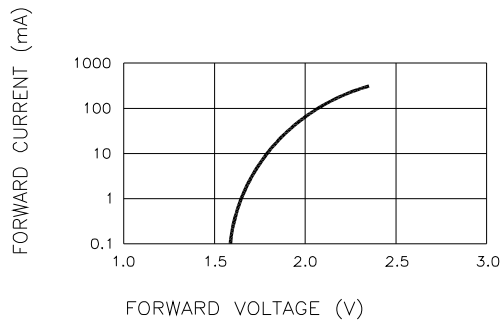


Fig.1 FORWARD CURRENT VS. FORWARD VOLTAGE

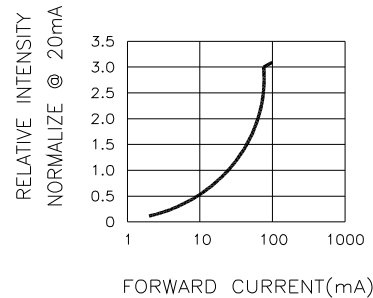


Fig.2 RELATIVE INTENSITY VS. FORWARD CURRENT

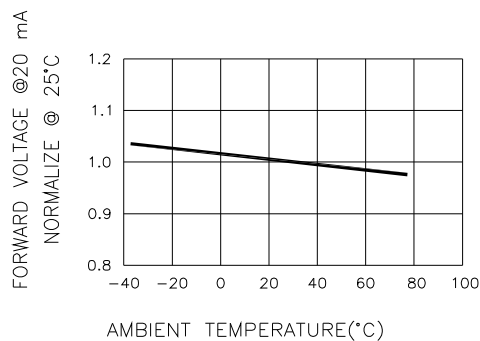


Fig.3 FORWARD VOLTAGE VS. TEMPERATURE

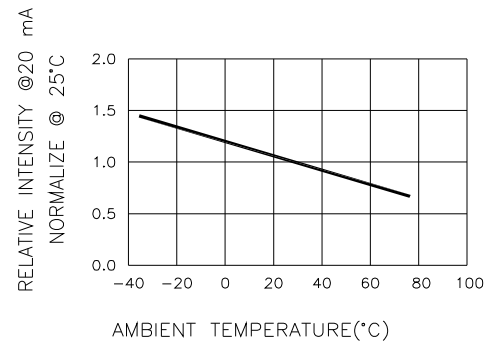


Fig.4 RELATIVE INTENSITY VS. TEMPERATURE

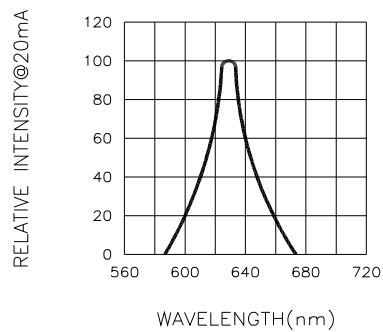


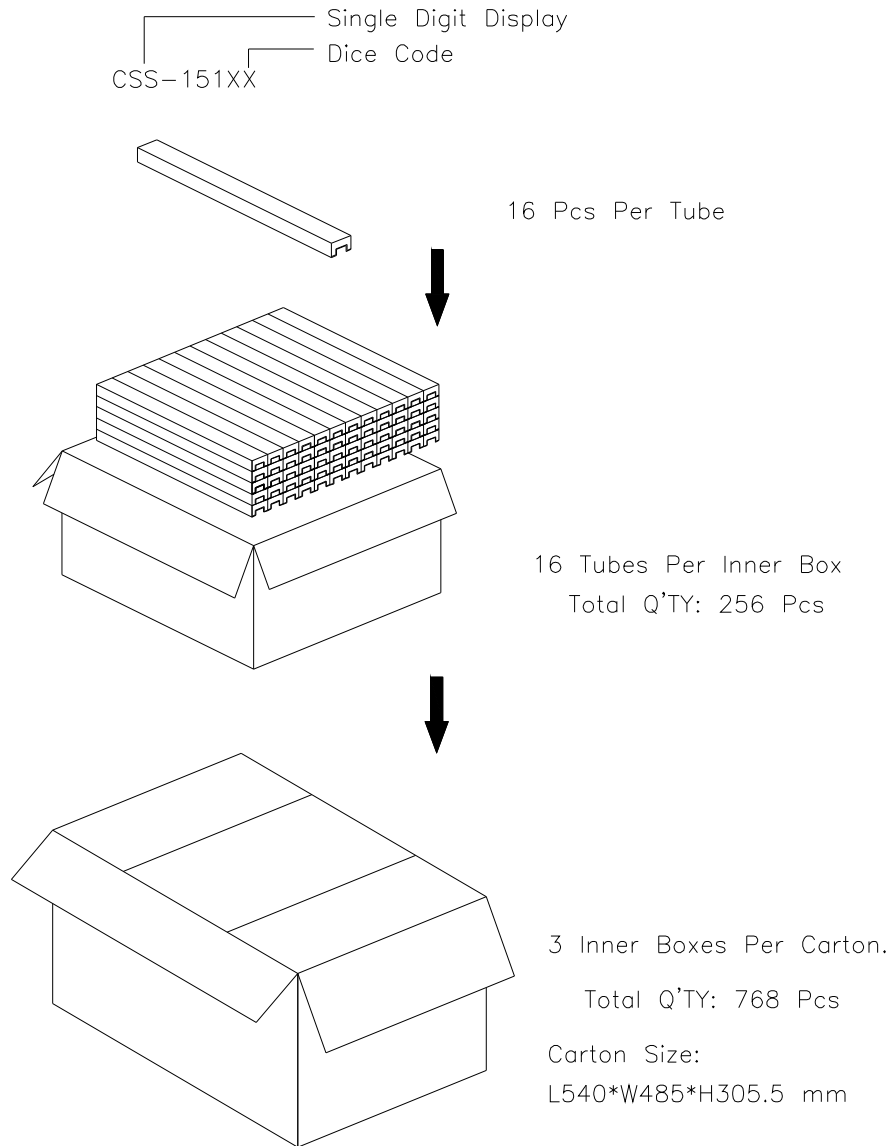
Fig.5 RELATIVE INTENSITY VS. WAVELENGTH



| | |
|-----------|------------|
| Spec. No. | PS-ND-0711 |
| Rev. | A |

Model No: CSS-15104V9/15105V9

■ Package Dimensions



Note: The specifications are subject to change without notice. Please contact us for updated information.
<http://www.csctw.com.tw>