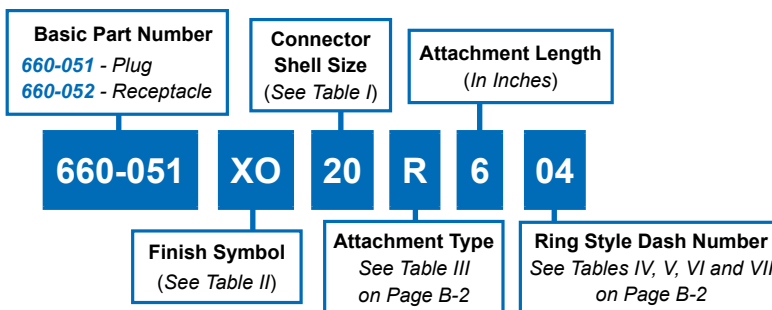


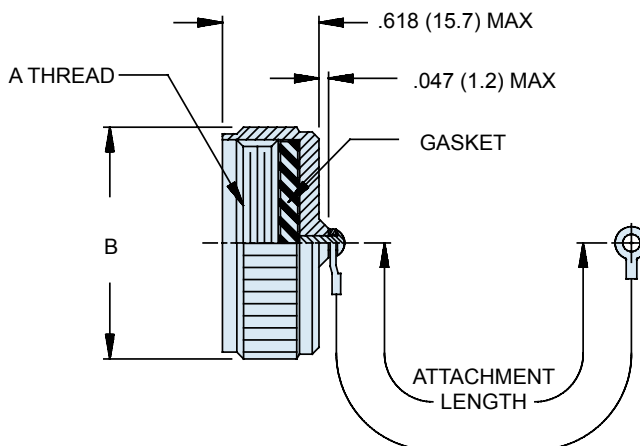
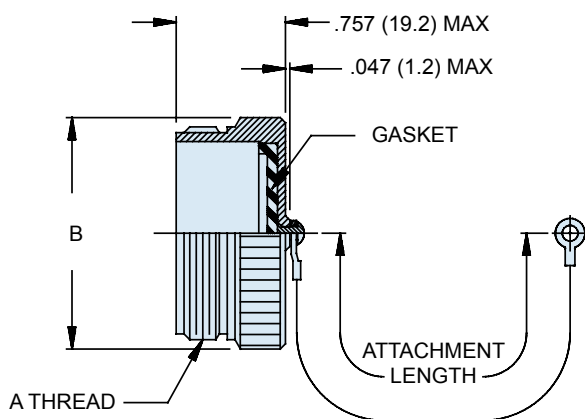
660-051 • 660-052  
Composite MIL-DTL-83723 Series III  
Protective Covers



**B**

**660-051**  
**MIL-DTL-83723 SERIES III**  
**THREADED PLUG COVER**

**660-052**  
**MIL-DTL-83723 SERIES III**  
**THREADED RECEPTACLE COVER**



**TABLE I: CONNECTOR SHELL SIZE NO.**

SHELL SIZE	A THREAD CLASS 2A/2B	B DIA MAX
08	9/16 - 24 UNEF	.776 (19.7)
10	11/16 - 24 UNEF	.906 (23.0)
12	7/8 - 20 UNEF	1.078 (27.4)
14	15/16 - 20 UNEF	1.141 (29.0)
16	1 1/16 - 18 UNEF	1.266 (32.2)
18	1 3/16 - 18 UNEF	1.375 (34.9)
20	1 5/16 - 18 UNEF	1.510 (38.4)
22	1 7/16 - 18 UNEF	1.625 (41.3)
24	1 9/16 - 18 UNEF	1.760 (44.7)

**TABLE II**

Symbol	Finish Description
XB	No Plating - Black Color (Non-Conductive Finish)
XM	2000 Hour Corrosion Resistant Electroless Nickel
XMT	2000 Hour Corrosion Resistant Ni-PTFE, Nickel-Fluorocarbon Polymer. 1000 Hour Grey™
XO	No Plating - Brown Color (Non-Conductive Finish)
XW	2000 Hour Corrosion Resistant Cadmium/Olive Drab over Electroless Nickel

Metric dimensions (mm) are in parentheses and are for reference only.