

**PLEASE CHECK WWW.MOLEX.COM FOR LATEST PART INFORMATION**

**Part Number:** [0050650117](#)  
**Status:** **Active**  
**Overview:** [cgrid\\_sl\\_products](#)  
**Description:** 2.54mm (.100") Pitch, SL™ Single Row Wire-to-Wire Panel Mount, 17 Circuits

**Documents:**

[3D Model](#) [Packaging Specification \(PDF\)](#)  
[Drawing \(PDF\)](#) [RoHS Certificate of Compliance \(PDF\)](#)

**Agency Certification**

|     |           |
|-----|-----------|
| CSA | LR19980   |
| TUV | R72081037 |
| UL  | E29179    |

**General**

|                |                                   |
|----------------|-----------------------------------|
| Product Family | Accessories                       |
| Series         | <a href="#">70104</a>             |
| Component Type | Branch                            |
| Overview       | <a href="#">cgrid_sl_products</a> |
| Product Name   | SL™                               |

**Physical**

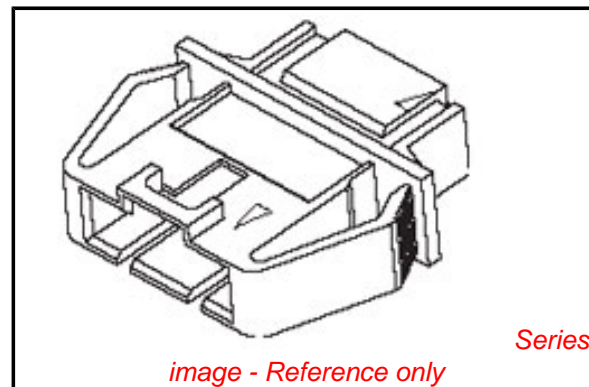
|                     |           |
|---------------------|-----------|
| Circuits (Loaded)   | 17        |
| Color - Resin       | Black     |
| Flammability        | 94V-0     |
| Lock to Mating Part | Yes       |
| Material - Resin    | Polyester |
| Packaging Type      | Bag       |

**Material Info**

|                 |            |
|-----------------|------------|
| Old Part Number | 70104-0016 |
|-----------------|------------|

**Reference - Drawing Numbers**

|               |                    |
|---------------|--------------------|
| Sales Drawing | SD-70104-0003-0024 |
|---------------|--------------------|



**EU RoHS**

**ELV and RoHS  
Compliant**  
**REACH SVHC  
Not Reviewed**  
**Halogen-Free  
Status  
Not Reviewed**

**China RoHS**



**Need more information on product  
environmental compliance?**

Email [productcompliance@molex.com](mailto:productcompliance@molex.com)  
For a multiple part number RoHS Certificate of  
Compliance, [click here](#)

Please visit the [Contact Us](#) section for any  
non-product compliance questions.

**Search Parts in this Series**

[70104Series](#)

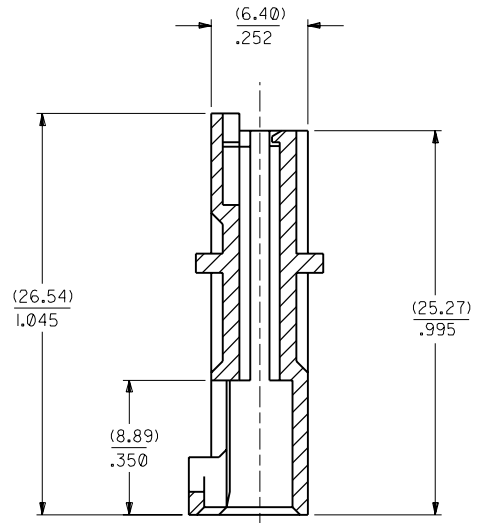
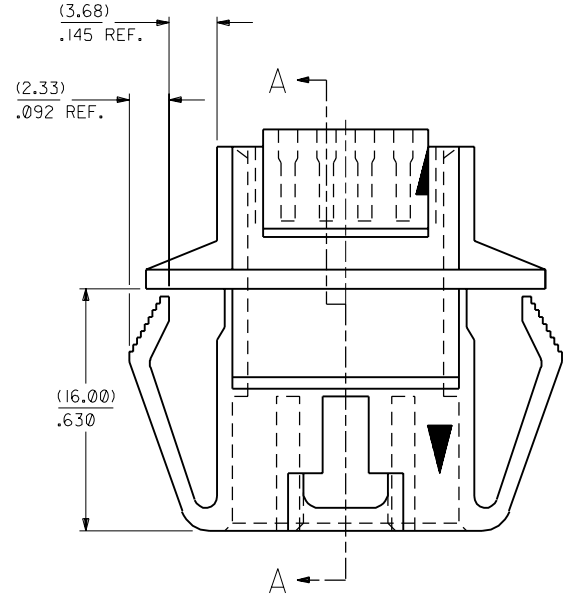
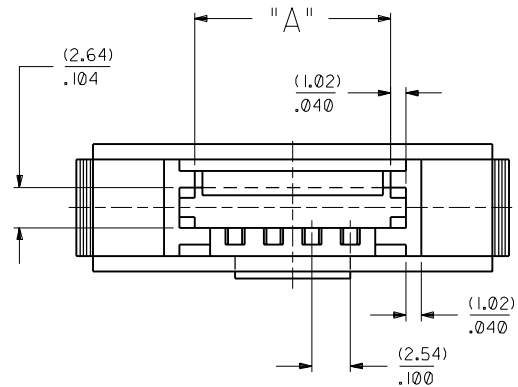
**Use With**

[70066](#) SL™ Crimp Housing. [70475](#) SL™  
IDT Connector Assembly. [70431](#) SL™ FFC/  
FPC Connector

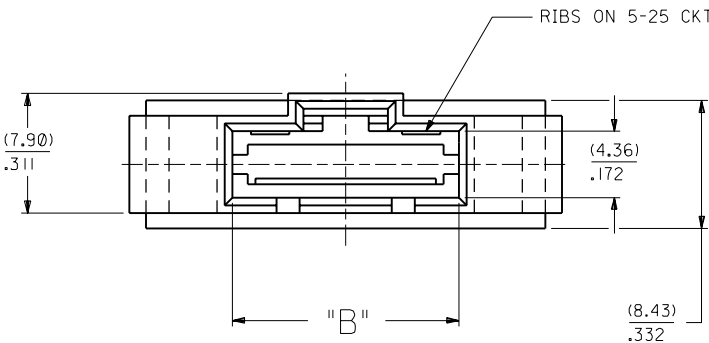
NOTES

- 1) MATERIAL : POLYESTER, 94V-0  
COLOR : BLACK
- 2) SEE CHART FOR CIRCUIT SIZES .
- 3) HOUSING TO BE USED WITH 70400 SERIES HOUSING (OPTION "D" & INTERIM CLIP 70004 (VERSION A)
- 4) PANEL THICKNESS (0.81)/.032 - (2.36)/.093
- 5) SEE SHEET 2 FOR MOUNTING HOLE DIMENSIONS .
- 6) PACKAGE PER PK-70104-100.

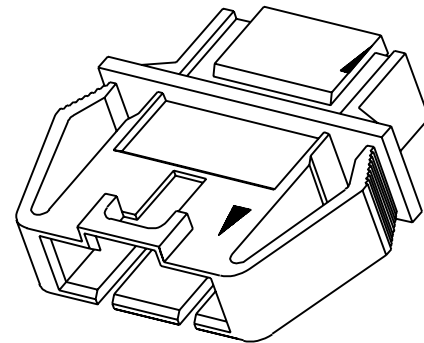
| CKT. NO. | EDP. NO.   | ENG. NO.   | DIM. A           | DIM. B           |
|----------|------------|------------|------------------|------------------|
| 4        | 50-65-0104 | 70104-0003 | (10.29)<br>.405  | (12.45)<br>.490  |
| 5        | 50-65-0105 | 70104-0004 | (12.83)<br>.505  | (14.99)<br>.590  |
| 6        | 50-65-0106 | 70104-0005 | (15.37)<br>.605  | (17.53)<br>.690  |
| 7        | 50-65-0107 | 70104-0006 | (17.91)<br>.705  | (20.07)<br>.790  |
| 8        | 50-65-0108 | 70104-0007 | (20.45)<br>.805  | (22.61)<br>.890  |
| 9        | 50-65-0109 | 70104-0008 | (22.99)<br>.905  | (25.15)<br>.990  |
| 10       | 50-65-0110 | 70104-0009 | (25.53)<br>1.005 | (27.69)<br>1.090 |
| 11       | 50-65-0111 | 70104-0010 | (28.07)<br>1.105 | (30.23)<br>1.190 |
| 12       | 50-65-0112 | 70104-0011 | (30.61)<br>1.205 | (32.77)<br>1.290 |
| 13       | 50-65-0113 | 70104-0012 | (33.15)<br>1.305 | (35.31)<br>1.390 |
| 14       | 50-65-0114 | 70104-0013 | (35.69)<br>1.405 | (37.89)<br>1.490 |
| 15       | 50-65-0115 | 70104-0014 | (38.23)<br>1.505 | (40.39)<br>1.590 |
| 16       | 50-65-0116 | 70104-0015 | (40.77)<br>1.605 | (42.93)<br>1.690 |
| 17       | 50-65-0117 | 70104-0016 | (43.31)<br>1.705 | (45.47)<br>1.790 |
| 18       | 50-65-0118 | 70104-0017 | (45.85)<br>1.805 | (48.01)<br>1.890 |
| 19       | 50-65-0119 | 70104-0018 | (48.39)<br>1.905 | (50.55)<br>1.990 |
| 20       | 50-65-0120 | 70104-0019 | (50.93)<br>2.005 | (53.09)<br>2.090 |
| 21       | 50-65-0121 | 70104-0020 | (53.47)<br>2.105 | (55.63)<br>2.190 |
| 22       | 50-65-0122 | 70104-0021 | (56.01)<br>2.205 | (58.17)<br>2.290 |
| 23       | 50-65-0123 | 70104-0022 | (58.55)<br>2.305 | (60.71)<br>2.390 |
| 24       | 50-65-0124 | 70104-0023 | (61.09)<br>2.405 | (63.25)<br>2.490 |
| 25       | 50-65-0125 | 70104-0024 | (63.63)<br>2.505 | (65.79)<br>2.590 |



SECTION A-A

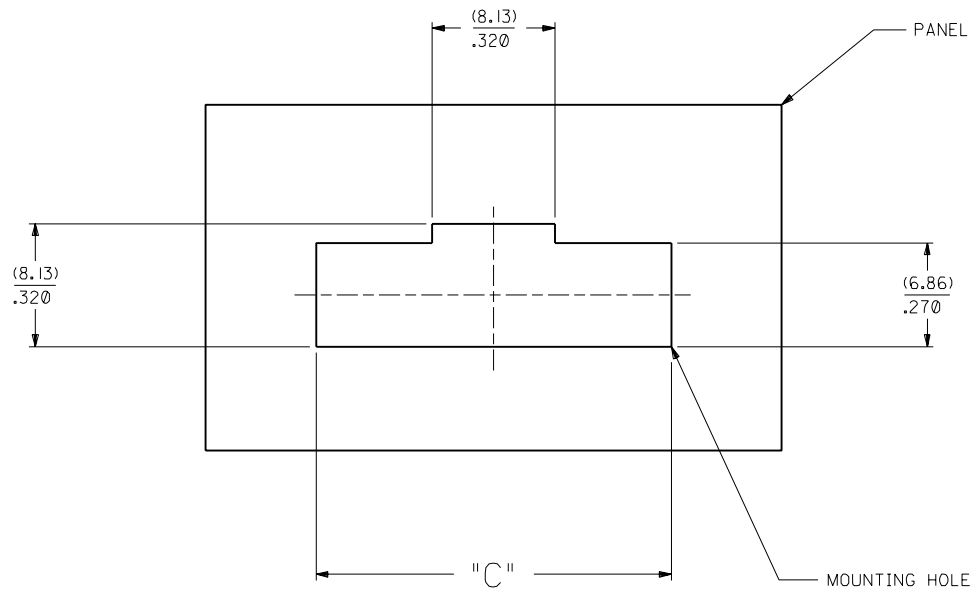


RIBS ON 5-25 CKT. ONLY



|  |  |   |  |   |  |
|--|--|---|--|---|--|
| H<br>REVISE PER<br>ECR #L00070<br>4/27/88 MJM                        |  | DIMENSIONS SHOWN (METRIC) INCH<br>UNLESS OTHERWISE SPECIFIED<br>TOLERANCES: ANGULAR ± 1/2°      |  | ▽ = 0    ▼ = 0    REVISE ONLY ON CAD SYSTEM   |  |
| G<br>REVISED RIBS AND<br>DIM "A" PER E.C.R.<br>#9776 06/11/87<br>MJM |  | INCH    METRIC<br>3 PLACE ± .010    ---<br>2 PLACE ± .014    ± 0.25<br>1 PLACE    ---    ± 0.35 |  | TITLE<br>HOUSING PANEL MOUNT<br>(INTERIM CLIP TO OPT. "D" HSG.)   |  |
| I<br>ADD PKG NOTE<br>PER UDT2000-0468<br>SCHAFER 99/12/1             |  | F<br>REDRAWN ON<br>CAD PER<br>ECR # 9120<br>5/5/86 WZ   |  | DRAFT WHERE APPLICABLE MUST<br>REMAIN WITHIN DIMENSIONS   |  |
| LTR.    REVISIONS  |  | LTR.    REVISIONS   |  | DRWG. NO.<br>SD-70104-0003-0024   |  |
|  |  | DRWG. BY: ME    CHK'D. BY: WZ   |  | SHEET NO.    DATE<br>1 OF 2    4/25/86  |  |
|  |  | APP'D. BY: RL    SCALE: 4 : 1   |  | MOLEX INCORPORATED    SHEET NO.    DATE<br>LISLE, ILL.    60532    U.S.A.    1 OF 2    4/25/86                            |  |
|  |  |   |  | FILE NAME    DIV.<br>S70104X1    DA   |  |
|  |  |   |  | THIS DRAWING CONTAINS INFORMATION THAT IS PROPRIETARY TO<br>MOLEX INC. AND SHOULD NOT BE USED WITHOUT WRITTEN PERMISSION. |  |

NO P.S.



RECOMMENDED MOUNTING HOLE LAYOUT

| CKT. NO. | EDP. NO.   | ENG. NO.   | DIM. C          |
|----------|------------|------------|-----------------|
| 4        | 50-65-0104 | 70104-0003 | (20.95) / .825  |
| 5        | 50-65-0105 | 70104-0004 | (23.49) / .925  |
| 6        | 50-65-0106 | 70104-0005 | (26.03) / 1.025 |
| 7        | 50-65-0107 | 70104-0006 | (28.57) / 1.125 |
| 8        | 50-65-0108 | 70104-0007 | (31.11) / 1.225 |
| 9        | 50-65-0109 | 70104-0008 | (33.65) / 1.325 |
| 10       | 50-65-0110 | 70104-0009 | (36.19) / 1.425 |
| 11       | 50-65-0111 | 70104-0010 | (38.73) / 1.525 |
| 12       | 50-65-0112 | 70104-0011 | (41.27) / 1.625 |
| 13       | 50-65-0113 | 70104-0012 | (43.81) / 1.725 |
| 14       | 50-65-0114 | 70104-0013 | (46.35) / 1.825 |
| 15       | 50-65-0115 | 70104-0014 | (48.89) / 1.925 |
| 16       | 50-65-0116 | 70104-0015 | (51.43) / 2.025 |
| 17       | 50-65-0117 | 70104-0016 | (53.97) / 2.125 |
| 18       | 50-65-0118 | 70104-0017 | (56.51) / 2.225 |
| 19       | 50-65-0119 | 70104-0018 | (59.05) / 2.325 |
| 20       | 50-65-0120 | 70104-0019 | (61.59) / 2.425 |
| 21       | 50-65-0121 | 70104-0020 | (64.13) / 2.525 |
| 22       | 50-65-0122 | 70104-0021 | (66.67) / 2.625 |
| 23       | 50-65-0123 | 70104-0022 | (69.21) / 2.725 |
| 24       | 50-65-0124 | 70104-0023 | (71.75) / 2.825 |
| 25       | 50-65-0125 | 70104-0024 | (74.29) / 2.925 |

| LTR. | REVISIONS | LTR. | REVISIONS   |
|------|-----------|------|-------------|
|      |           | F    | SEE SHEET 1 |

|  |               |
|--|---------------|
| DIMENSIONS SHOWN (METRIC) INCH                       |               |
| UNLESS OTHERWISE SPECIFIED TOLERANCES: ANGULAR 1/2°  |               |
| 3 PLACE  | ± .005        |
| 2 PLACE  | ± .01 ± 0.13  |
| 1 PLACE  | --- ± 0.25    |
| DRAFT WHERE APPLICABLE MUST REMAIN WITHIN DIMENSIONS |               |
| DRWG. BY: ME   | CHK'D. BY: WZ |
| APP'D. BY: RL  | SCALE: 4 : 1  |

|  |  |  |              |
|--|--|--|--------------|
| MFG. SH. REV.  |  | REVISE ONLY ON CAD SYSTEM  |              |
| TITLE: HOUSING PANEL MOUNT (INTERIM CLIP TO OPT. "G" HSG.) |  |  |              |
| MOLEX INCORPORATED<br>L15LEJLL 60532 U.S.A.                |  | SHEET NO. 2  | DATE 4/11/86 |
| PART NO. SD-70104-0003-0024                                |  | DRWG. NO.  |              |
| FILE NAME: S70104X2  |  | THIS DRAWING CONTAINS INFORMATION THAT IS PROPRIETARY TO MOLEX INC. AND SHOULD NOT BE USED WITHOUT WRITTEN PERMISSION. |              |