

PLEASE CHECK WWW.MOLEX.COM FOR LATEST PART INFORMATION

Part Number: [0359229002](#)
Status: **Active**
Overview: [mv396](#)
Description: 3.96mm (.156") Pitch Wire-to-Board Terminal

Documents:

[Drawing \(PDF\)](#) [Product Specification PS-35979-001 \(PDF\)](#)
[Product Specification PS-35978-001 \(PDF\)](#) [RoHS Certificate of Compliance \(PDF\)](#)

General

Product Family Crimp Terminals
 Series [35922](#)
 Crimp Quality Equipment Yes
 Overview [mv396](#)
 Product Name MV-396™

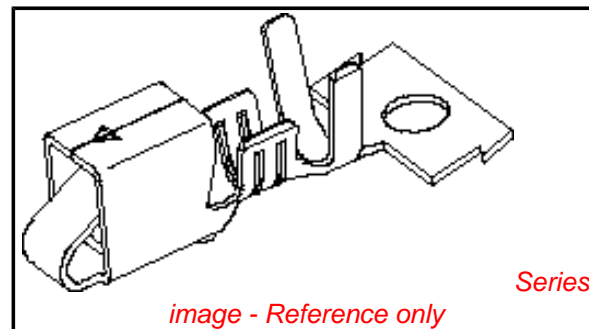
Physical

Gender Female
 Material - Metal Brass
 Material - Plating Mating Tin
 Material - Plating Termination Tin
 Packaging Type Reel
 Plating min: Mating (µin) 60
 Plating min: Mating (µm) 1.5
 Plating min: Termination (µin) 60
 Plating min: Termination (µm) 1.5
 Termination Interface: Style Crimp or Compression
 Wire Insulation Diameter 3.00mm (.118") max.
 Wire Size AWG 18, 20
 Wire Size mm² N/A

Material Info

Reference - Drawing Numbers

Packaging Specification PK-35922-001
 Product Specification PS-35978-001, PS-35979-001
 Sales Drawing SD-35922-500



EU RoHS

**ELV and RoHS
 Compliant**
**REACH SVHC
 Contains SVHC: No**
**Halogen-Free
 Status**

China RoHS



**Need more information on product
 environmental compliance?**

Email productcompliance@molex.com
 For a multiple part number RoHS Certificate of
 Compliance, [click here](#)

Please visit the [Contact Us](#) section for any
 non-product compliance questions.

Search Parts in this Series

[35922Series](#)

Use With

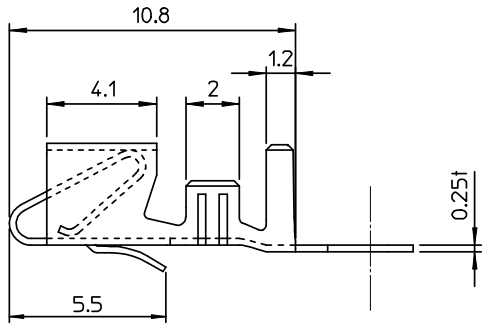
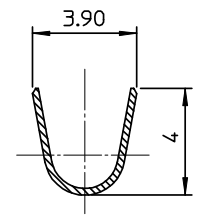
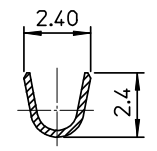
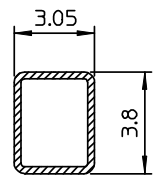
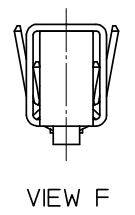
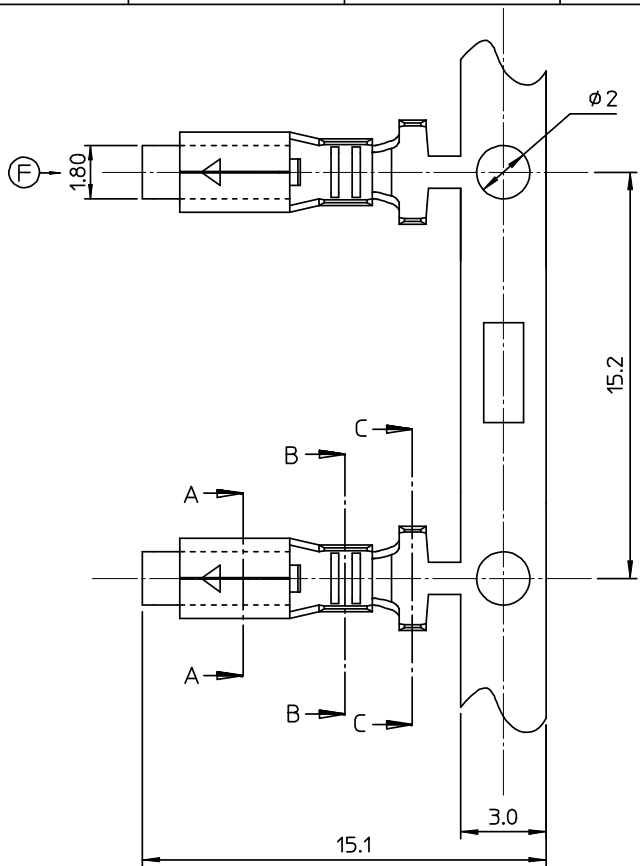
[35977](#)

Application Tooling | [FAQ](#)

*Tooling specifications and manuals are
 found by selecting the products below.
 Crimp Height Specifications are then
 contained in the Application Tooling
 Specification document.*

Global

Description	Product #
T2 Terminator Die	0638557000
FineAdjust™ Applicator	0638657000



- NOTES
1. MATERIAL : BRASS or PHOSPHOR BRONZE
 2. FINISHES : PRE-TIN PLATED
 3. PRODUCT SPECIFICATION : PS-35978-001
 4. APPLIED HOUSING : 35977-**0*

TABLE

359228011	35922-8011	PHOSPHOR BRONZE
359229002	35922-9002	BRASS
MAT'L NO.	ENG NO.	MATERIAL

REVISED EC NO: KOR2008-0186 DRWN:SKHAN01 2008/05/26 CHKD:WY. YANG 2008/05/26 APPR: YUNSIKIM 2008/05/26	QUALITY SYMBOLS =0 =0	GENERAL TOLERANCES (UNLESS SPECIFIED) <table border="1"> <tr> <td></td> <td>mm</td> <td>INCH</td> </tr> <tr> <td>4 PLACES</td> <td>± ---</td> <td>± ---</td> </tr> <tr> <td>3 PLACES</td> <td>± ---</td> <td>± ---</td> </tr> <tr> <td>2 PLACES</td> <td>± ---</td> <td>± ---</td> </tr> <tr> <td>1 PLACE</td> <td>± 0.2</td> <td>± ---</td> </tr> </table>		mm	INCH	4 PLACES	± ---	± ---	3 PLACES	± ---	± ---	2 PLACES	± ---	± ---	1 PLACE	± 0.2	± ---	DIMENSION STYLE MM ONLY DRAWN BY: YURIWI DATE: 1999/05/09 CHECKED BY: J. K. OH DATE: 1999/05/09 APPROVED BY: CWLEE DATE: 1999/05/09	SCALE: 5:1 DESIGN UNITS: METRIC THIRD ANGLE PROJECTION	TITLE: 3.96 PITCH W-T-B CONN. TERMINAL MOLEX INCORPORATED DOCUMENT NO.: SD-35922-500 SHEET NO.: 1 OF 1
		mm	INCH																	
	4 PLACES	± ---	± ---																	
	3 PLACES	± ---	± ---																	
	2 PLACES	± ---	± ---																	
1 PLACE	± 0.2	± ---																		
DRAFT WHERE APPLICABLE MUST REMAIN WITHIN DIMENSIONS	SEE TABLE	MATERIAL NO.	THIS DRAWING CONTAINS INFORMATION THAT IS PROPRIETARY TO MOLEX INCORPORATED AND SHOULD NOT BE USED WITHOUT WRITTEN PERMISSION																	
SIZE: A3																				