

PLEASE CHECK WWW.MOLEX.COM FOR LATEST PART INFORMATION

Part Number: [0358021589](#)
Status: **Active**
Overview:
Description: 1.00mm (.039") Pitch FFC/FPC Connector, Vertical, Non-ZIF, Kinked PC Tails, 15 Circuits

Agency Certification

CSA LR19980
 UL E29179

General

Product Family FFC/FPC Connectors
 Series 35802
 Comments Use Pre-Notched
 Overview ffc_fpc_throughhole
 Product Name N/A

Physical

Circuits (Loaded) 15
 Circuits (maximum) 15
 Color - Resin Natural
 Contact Position Top
 Entry Angle Vertical
 Flammability 94V-0
 Mated Height (in) 0.205 In
 Mated Height (mm) 5.20 mm
 Material - Metal Phosphor Bronze
 Material - Plating Mating Tin
 Material - Plating Termination Tin
 Material - Resin Nylon
 Number of Rows 1
 Orientation Vertical
 PC Tail Length (in) 0.098 In
 PC Tail Length (mm) 2.50 mm
 PCB Locator No
 PCB Retention None
 PCB Thickness Recommended (in) 0.063 In
 PCB Thickness Recommended (mm) 1.60 mm
 Packaging Type Tube
 Pitch - Mating Interface (in) 0.039 In
 Pitch - Mating Interface (mm) 1.00 mm
 Pitch - Term. Interface (in) 0.039 In
 Pitch - Term. Interface (mm) 1.00 mm
 Plating min: Mating (µin) 32.00
 Plating min: Mating (µm) 0.800
 Plating min: Termination (µin) 32.00
 Plating min: Termination (µm) 0.80
 Polarized to PCB Yes
 Stackable No
 Surface Mount Compatible (SMC) No
 Temperature Range - Operating -20°C to +80°C
 Termination Interface: Style Through Hole - Kinked Pin
 Wire/Cable Type FFC/FPC

Electrical

Current - Maximum per Contact 0.2A, 0.4A, 0.5A
 Voltage - Maximum 50V AC (RMS)/DC

EU RoHS

**ELV and RoHS
 Compliant**
REACH SVHC
 Not Reviewed
**Halogen-Free
 Status**

China RoHS



Not Reviewed

Need more information on product environmental compliance?

Email productcompliance@molex.com
 For a multiple part number RoHS Certificate of Compliance, [click here](#)

Please visit the [Contact Us](#) section for any non-product compliance questions.

Search Parts in this Series
[35802Series](#)

Material Info

Reference - Drawing Numbers

Packaging Specification

PK-35802-001

Product Specification

PS-35802-001

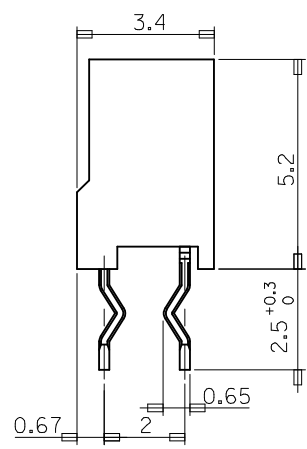
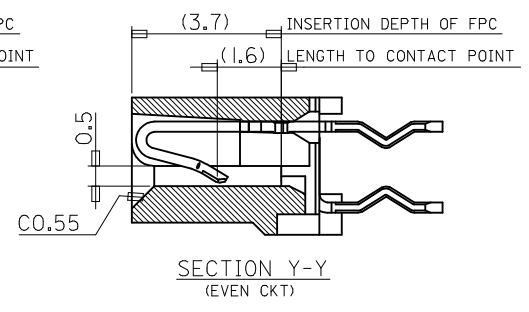
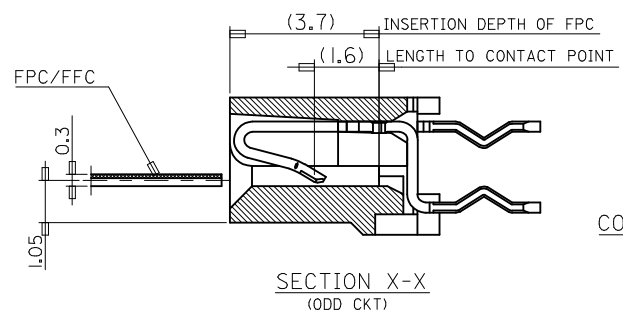
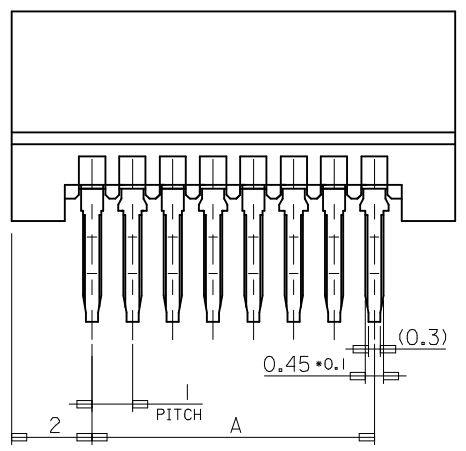
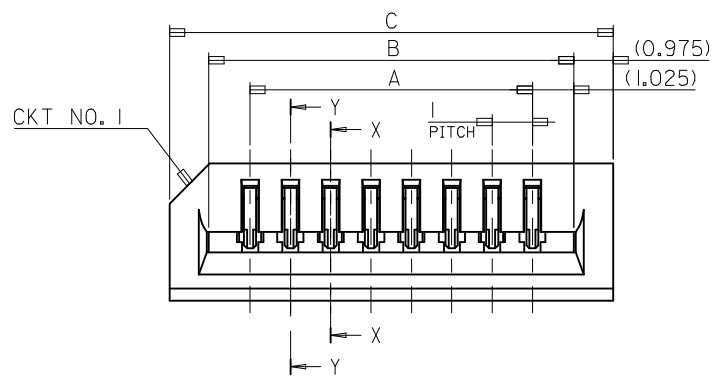
Sales Drawing

SD-35802-**30, SD-35802-010

This document was generated on 06/04/2010

PLEASE CHECK WWW.MOLEX.COM FOR LATEST PART INFORMATION

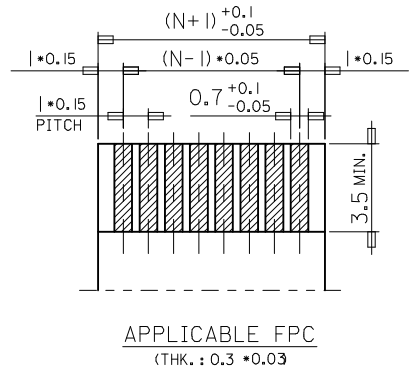
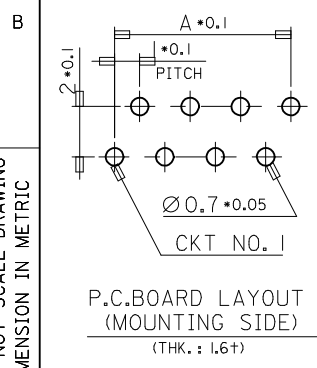
DWG. NO. SD-35802-***30
 SIMILAR ITEM
 PROJECT NO.
 DO NOT SCALE DRAWING DIMENSION IN METRIC



NOTES

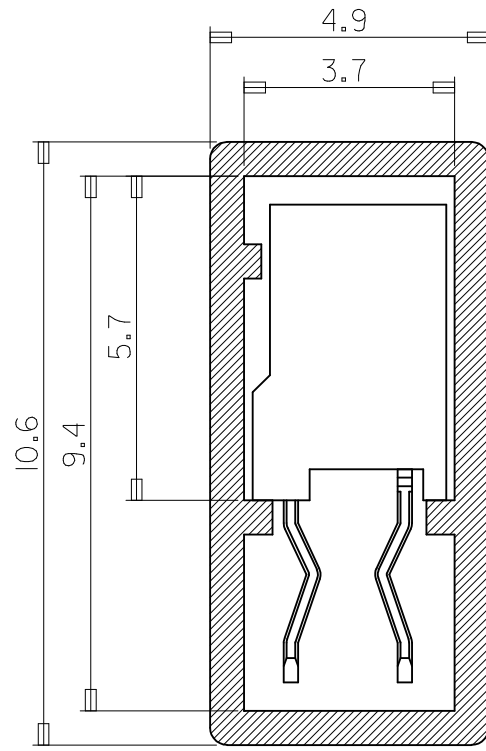
- 1. MATERIAL
- HOUSING : NYLON66 (UL 94V-0) (COLOR:WHITE)
- TERMINAL : PHOSPHOR BRONZE TIN-PLATED

33	31.05	29	35802-3030	30
32	30.05	28	-2930	29
31	29.05	27	-2830	28
30	28.05	26	-2730	27
29	27.05	25	-2630	26
28	26.05	24	-2530	25
27	25.05	23	-2430	24
26	24.05	22	-2330	23
25	23.05	21	-2230	22
24	22.05	20	-2130	21
23	21.05	19	-2030	20
22	20.05	18	-1930	19
21	19.05	17	-1830	18
20	18.05	16	-1730	17
19	17.05	15	-1630	16
18	16.05	14	-1530	15
17	15.05	13	-1430	14
16	14.05	12	-1330	13
15	13.05	11	-1230	12
14	12.05	10	-1130	11
13	11.05	9	-1030	10
12	10.05	8	-0930	9
11	9.05	7	-0830	8
10	8.05	6	-0730	7
9	7.05	5	-0630	6
8	6.05	4	-0530	5
7	5.05	3	-0430	4
6	4.05	2	35802-0330	3
C	B	A	ENG NO.	CKT NO.



REVISED EC NO. KOR2000-0038 DRWN: H.S.SHIN 00.5.29 CHK: J.K.OH APPR: C.W.LEE	DESCRIPTION MAJOR CRITICAL C	GENERAL TOLERANCES: (UNLESS SPECIFIED)		SCALE 8-1	DESIGN UNITS <input checked="" type="checkbox"/> mm <input type="checkbox"/> INCH	THIRD ANGLE PROJECTION	DIMENSIONS: <input type="checkbox"/> mm <input type="checkbox"/> INCH <input checked="" type="checkbox"/> mm ONLY		SHT	REV
		4 PLACES	±0.	±.	DRAWN BY & DATE H.S.SHIN 97.10.22		TITLE: I.O PITCH FFC/FPC CONN. NON-ZIF(DIP) HSG ASS'Y			
REV	DESCRIPTION	3 PLACES	±0.	±.	CHECKED BY & DATE J.K.OH 97.10.22		MOLEX INCORPORATED KOREA MATERIAL NO. 35802-***30 DRAWING NO. SD-35802-***30 SHEET NO. I/1			
		2 PLACES	±0.	±.	APPROVED BY & DATE C.W.LEE 97.10.22					
		1 PLACE	±0.2	±.	CAD FILENAME S35802LG.DGN					
DRAFT WHERE APPLICABLE MUST REMAIN WITHIN DIMENSIONS		ANGULAR: ± 1°		THIS DRAWING CONTAINS INFORMATION THAT IS PROPRIETARY TO MOLEX INCORPORATED AND SHOULD NOT BE USED WITHOUT WRITTEN PERMISSION.		SIZE B				

PROJECT NO. SIMILAR ITEM DWG. NO. SD-35802-010



NOTE

1. ENG NO.

HSG ASS'Y	PACKING	SHAPE	
		TAIL	KINK
35802-***10	35802-***19	3.2	0
35802-***20	35802-***29	3.2	X
35802-***30	35802-***89	2.5	0
35802-***40	35802-***49	2.5	X

2. MATERIAL : PVC

3. TUBE LENGTH : 550mm

20	22
21	21
	20
22	19
24	18
25	17
27	16
28	15
30	14
32	13
34	12
37	11
15	30
16	29
	28
17	27
	26
18	25
19	24
	23
Q'TY	CKT
40	10
43	9
47	8
52	7
57	6
65	5
74	4
85	3
Q'TY	CKT

NEW RELEASED
 EC NO. KOR2002-0037
 DRWN: H.S.SHIN 01.10.30
 CHK: J.K.OH
 APPR: C.W.LEE

QUALITY SYMBOLS
 MAJOR =
 CRITICAL =

GENERAL TOLERANCES:
(UNLESS SPECIFIED)

	mm	INCH
4 PLACES	±0.	±.
3 PLACES	±0.	±.
2 PLACES	±0.	±.
1 PLACE	±0.3	±.

ANGULAR: ± | °

DRAFT WHERE APPLICABLE MUST REMAIN WITHIN DIMENSIONS

SCALE 8-1
 DESIGN UNITS mm INCH
 DRAWN BY & DATE H.S.SHIN 97.7.31
 CHECKED BY & DATE J.K.OH 97.7.31
 APPROVED BY & DATE C.W.LEE 97.7.31
 CAD FILENAME SPK35802.DGN

THIRD ANGLE PROJECTION
 TITLE: TUBE PACKING FOR 35802 SERIES
 MOLEX INCORPORATED KOREA
 MATERIAL NO. 35802-***9
 DRAWING NO. SD-35802-010

DIMENSIONS: mm INCH mm ONLY
 SHT 1/1
 REV
 REVISE ON CAD ONLY
 SHEET NO. 1/1
 SIZE A

5

4

3

2

MX-A4