

**PLEASE CHECK WWW.MOLEX.COM FOR LATEST PART INFORMATION**

**Part Number:** [1300130235](#)  
**Status:** **Active**  
**Overview:** [minichange\\_products](#)  
**Description:** Mini-Change® A-Size Receptacle with Leads, 1/2" - 14NPT Threads, Straight Male, 3 Poles, Length 1.83m (6.0' ), US Auto Code

**Documents:**

[Drawing \(PDF\)](#) [RoHS Certificate of Compliance \(PDF\)](#)

**Agency Certification**

CSA LR6837  
 UL E152210

**General**

Product Family Industrial Receptacles  
 Series [130013](#)  
 IP Rating IP67  
 NEMA Rating NEMA 6  
 Overview [minichange\\_products](#)  
 Product Name Mini-Change®  
 Type Single Ended (pigtail)

**Physical**

Coupling Type External Thread  
 Gender Male  
 Keyway Single  
 Length 1.83m (6.0' )  
 Material - Component Zinc Die-Cast with Black Epoxy  
 Mounting Thread Size 1/2" - 14 NPT  
 Orientation Straight  
 Panel Mount N/A  
 Poles 3  
 Temperature Range - Operating -20°C to +105°C  
 Wire Size AWG 16  
 Wire/Cable Type Leads

**Electrical**

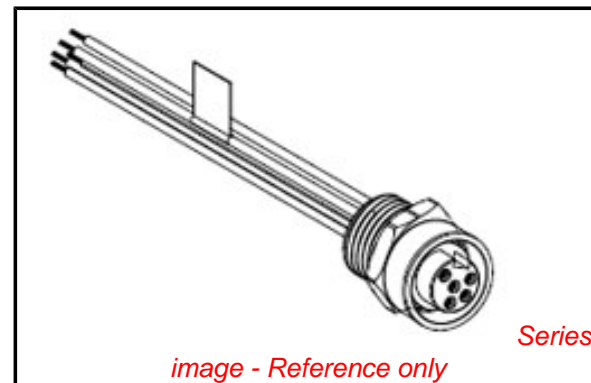
Current - Maximum per Contact 13A  
 Voltage - Maximum 600V AC/DC

**Material Info**

Old Part Number 1R3006A24F060

**Reference - Drawing Numbers**

Sales Drawing SD-130013-013



*image - Reference only*

**EU RoHS**

**ELV and RoHS  
 Compliant  
 REACH SVHC  
 Not Reviewed  
 Halogen-Free  
 Status  
 Not Reviewed**

**China RoHS**



**Need more information on product  
 environmental compliance?**

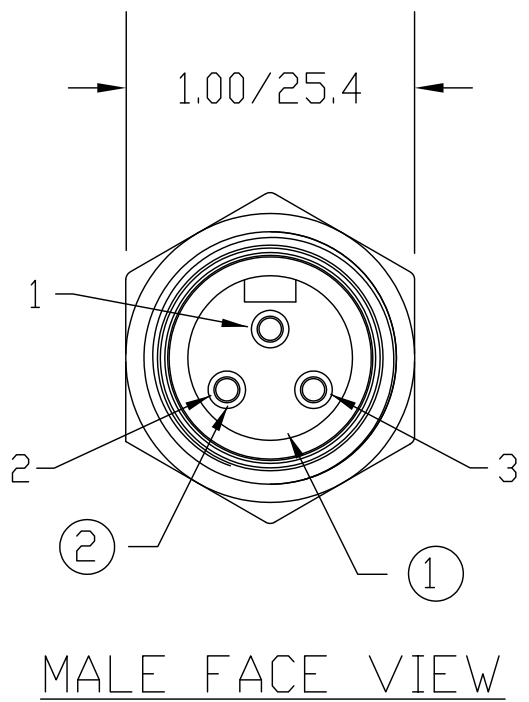
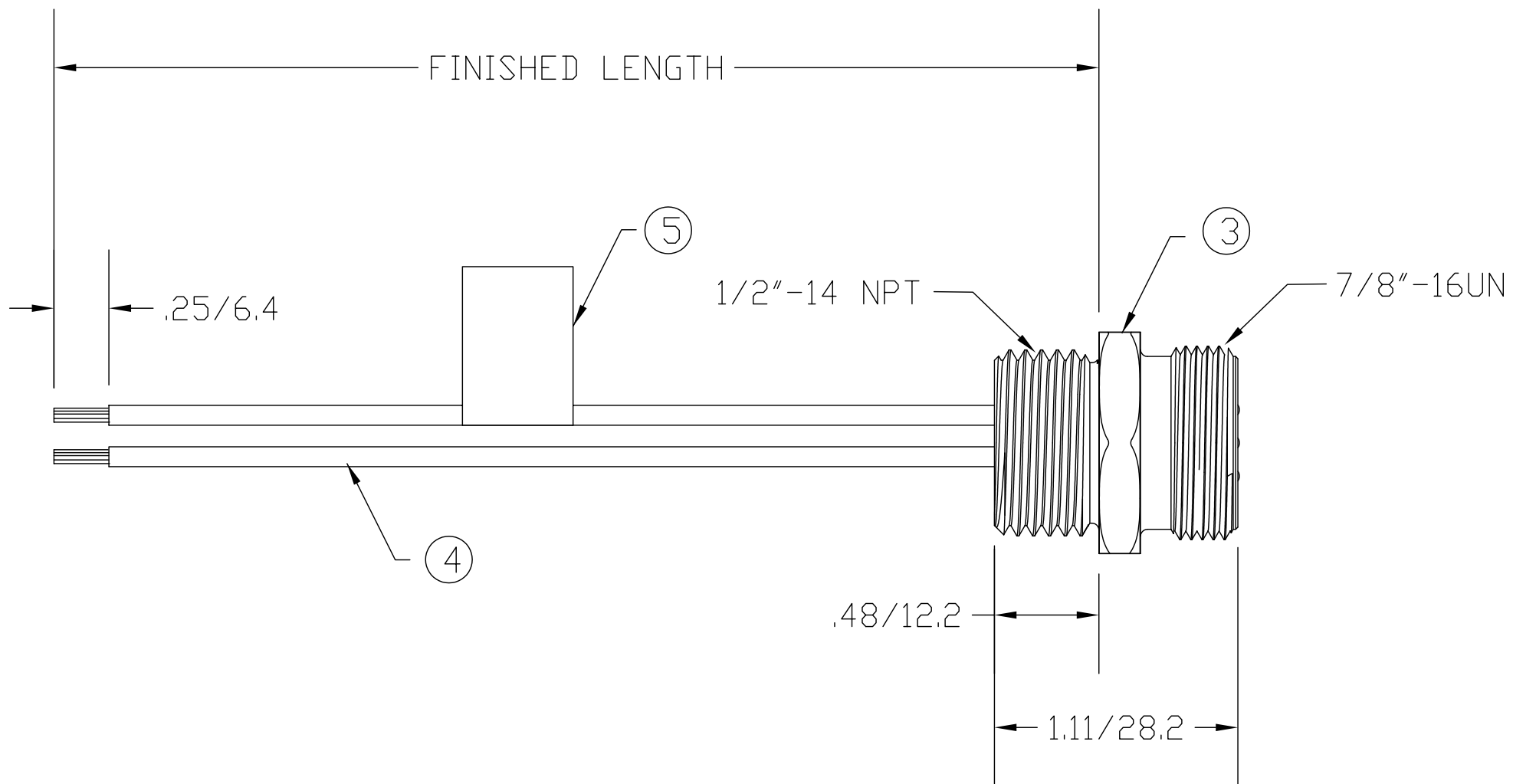
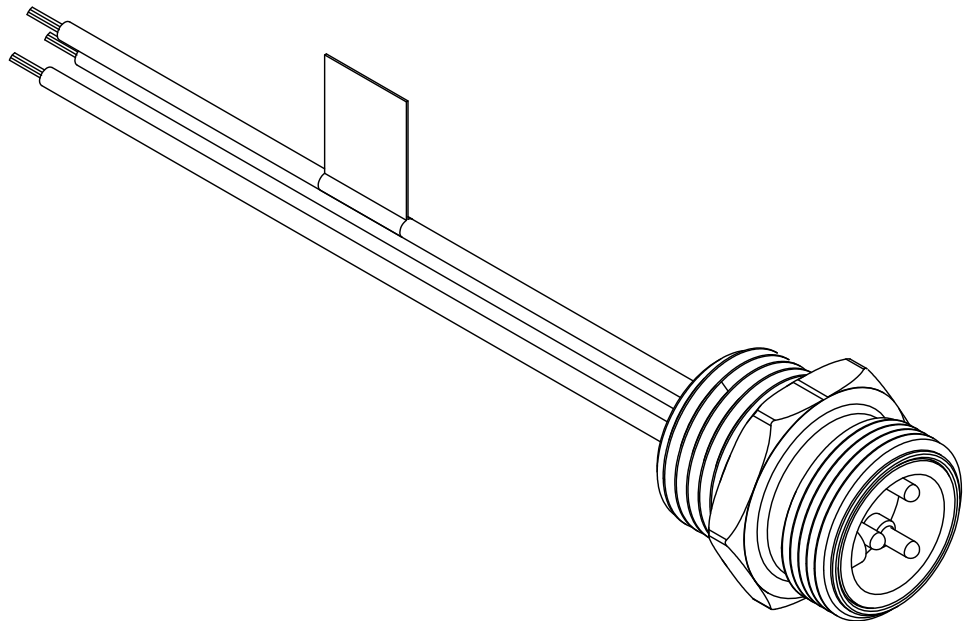
Email [productcompliance@molex.com](mailto:productcompliance@molex.com)  
 For a multiple part number RoHS Certificate of  
 Compliance, [click here](#)

Please visit the [Contact Us](#) section for any  
 non-product compliance questions.

**Search Parts in this Series**

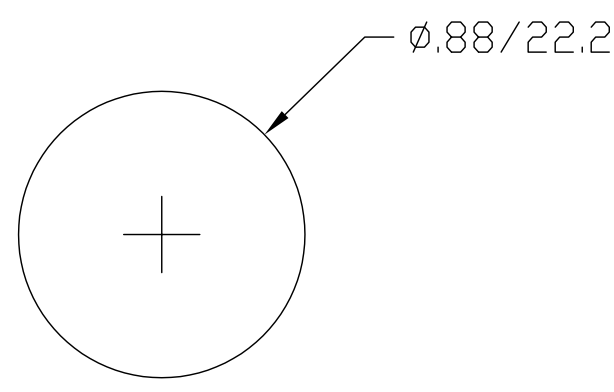
130013Series

MATERIAL NUMBER	OLD PART NUMBER	FINISHED LENGTH
130013-0229	1R3006A24A120	12.00" +1.75" -0 [1.3M +44.5 -0]
130013-0233	1R3006A24F030	3.00' +2.19" -0 [1.9M +55.6 -0]
130013-0235	1R3006A24F060	6.00' +3.50" -0 [1.8M +88.9 -0]



1	GREEN
2	RED WITH #2
3	RED WITH #3

WIRING DIAGRAM



KNOCKOUT HOLE

VOLTAGE RATING	600 VAC/VDC
AMPERAGE RATING	13 AMPS
PROTECTION	IP67
OPERATING TEMPERATURE	-20°C TO 105°C
UL CERTIFICATIONS	UL LISTED, FILE NO. E258922
CSA CERTIFICATIONS	CSA CERTIFIED, FILE NO. LR6837

ITEM	COMPONENT	MATERIAL	FINISH
1	INSERT	PVC	YELLOW
2	CONTACT PIN	COPPER ALLOY	GOLD OVER NICKEL
3	RECEPTACLE SHELL	ZINC DIE CAST	BLACK E-COATED
4	CONDUCTOR - 16 AWG. 26 x #30 COPPER STRANDING, 600V	PVC	SEE WIRING DIAGRAM
5	FLAG LABEL	PLASTIC FILM	BLACK/YELLOW

RLSO DRAWING EC NO: WNA2010-0425 DRWN: BWOODMAN2010/01/06 CHK'D: TW APPR: JFMURPHY 2010/01/14 REV A	QUALITY SYMBOL	GENERAL TOLERANCES (UNLESS SPECIFIED)	DIMENSION STYLE	SCALE	DESIGN UNITS	THIRD ANGLE PROJECTION														
	$\nabla = 0$ $\sphericalangle = 0$	<table border="1"> <tr> <th></th> <th>mm</th> <th>INCH</th> </tr> <tr> <td>4 PLACES</td> <td>±---</td> <td>±---</td> </tr> <tr> <td>3 PLACES</td> <td>±---</td> <td>±.005</td> </tr> <tr> <td>2 PLACES</td> <td>±0.13</td> <td>±.010</td> </tr> <tr> <td>1 PLACE</td> <td>±0.25</td> <td>±.020</td> </tr> </table>		mm	INCH		4 PLACES	±---	±---	3 PLACES	±---	±.005	2 PLACES	±0.13	±.010	1 PLACE	±0.25	±.020	IN/MM	1:1
		mm	INCH																	
	4 PLACES	±---	±---																	
3 PLACES	±---	±.005																		
2 PLACES	±0.13	±.010																		
1 PLACE	±0.25	±.020																		
DESCRIPTION	ANGULAR ±1/2°	DRAFT WHERE APPLICABLE MUST REMAIN WITHIN DIMENSIONS	DRAWN BY: TW DATE: 2010/01/07 CHECKED BY: JFMURPHY DATE: 2010/01/14 APPROVED BY: JFMURPHY DATE: 2010/01/14 MATERIAL NO. SEE CHART SIZE C	TITLE: MINI-CHANGE RECEPTACLE 3 POLE MALE 1/2 NPT US AUTO CODE MOLEX INCORPORATED DOCUMENT NO. SD-130013-013 SHEET NO. 1 OF 1																
THIS DRAWING CONTAINS INFORMATION THAT IS PROPRIETARY TO MOLEX INCORPORATED AND SHOULD NOT BE USED WITHOUT WRITTEN PERMISSION																				