

PLEASE CHECK WWW.MOLEX.COM FOR LATEST PART INFORMATION

Part Number: [0987881108](#)
Status: **Active**
Overview: [nsc](#)
Description: 1.5mm (.059") Pitch NSCC, Wire-to-Wire, Rcpt Housing, Brown,10 Circuits

Documents:

[Drawing \(PDF\)](#) [RoHS Certificate of Compliance \(PDF\)](#)

General

Product Family	Crimp Housings
Series	98788
Overview	nsc
Product Name	NSCC

Physical

Gender	Female
Glow-Wire Compliant	No
Keying to Mating Part	None
Lock to Mating Part	None
Number of Rows	2
Packaging Type	Bag
Panel Mount	No
Pitch - Mating Interface (in)	0.167 In
Pitch - Mating Interface (mm)	4.25 mm
Temperature Range - Operating	-40°C to +120°C

Material Info

Old Part Number	17408EV10M8
-----------------	-------------

Reference - Drawing Numbers

Sales Drawing	SD-98788-005
---------------	--------------



image - Reference only

Series

EU RoHS

China RoHS

Compliance Status

Not Reviewed

REACH SVHC

Not Reviewed

Halogen-Free

Status

Not Reviewed

Need more information on product environmental compliance?

Email productcompliance@molex.com
 For a multiple part number RoHS Certificate of Compliance, [click here](#)

Please visit the [Contact Us](#) section for any non-product compliance questions.

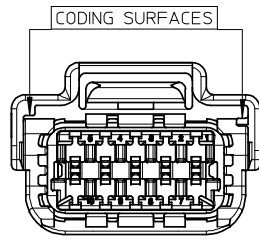
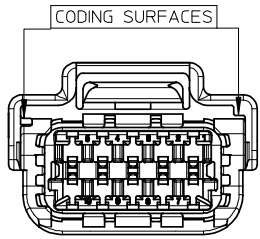
Search Parts in this Series

[98788Series](#)

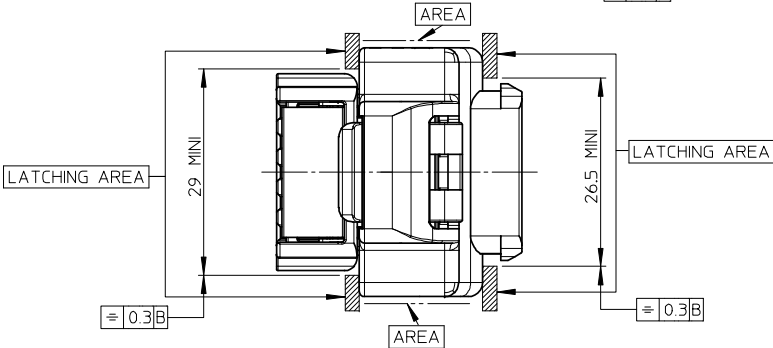
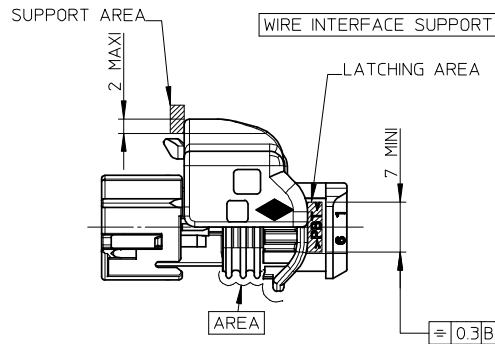
Mates With

[987891108](#)

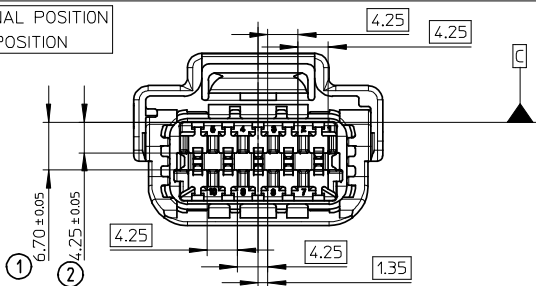
PLEASE CHECK WWW.MOLEX.COM FOR LATEST PART INFORMATION



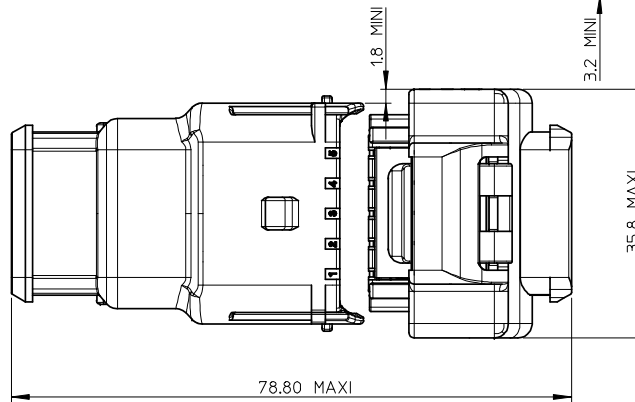
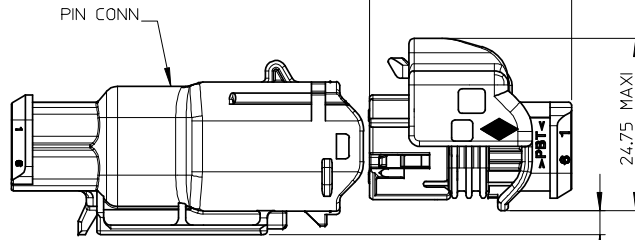
2	GREY	SICMA RCPT CONN SLD W/ 1.5 GRY 10CKT	0987881108
1	BLACK	SICMA RCPT CONN SLD W/ 1.5 BLK 10CKT	0987881101
CODING	COLOR	DESCRIPTION	MATERIAL NUMBER



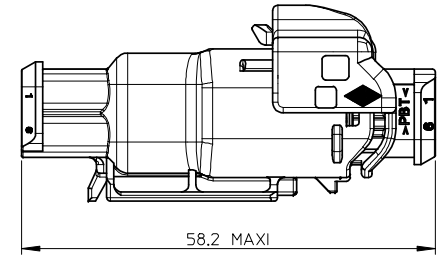
SICMA 2 TERMINAL POSITION AND CAVITIES POSITION



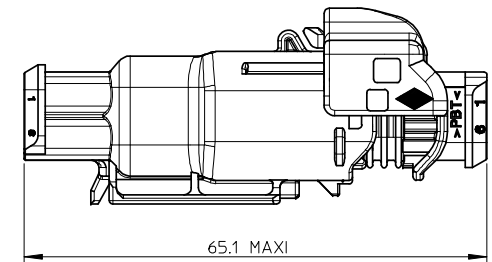
MATING / UNMATING OVERALL DIMENSIONS



OVERALL DIMENSION AFTER LOCK



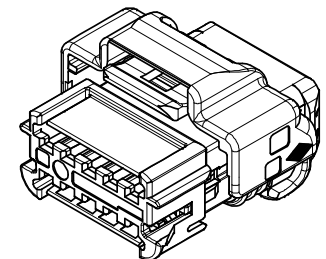
OVERALL DIMENSION BEFORE LOCK



NOTES:

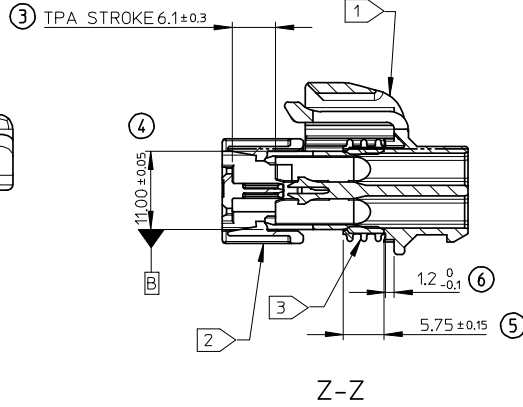
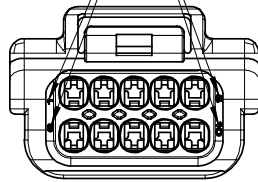
1. MATERIALS: SEE CHART
2. FINISHES: N/A
3. PRODUCT SPECIFICATION: AS-98788-001
4. PACKAGING INFORMATION: PK-98788-002
5. MATES WITH: 0987891101(BLACK), 0987891108(GREY)
6. 2MM2 WIRES NOT ALLOWED FOR THIS PRODUCT
7. CONNECTOR TIGHTENING STRENGTH ON WIRING INTERFACE:
 - 200 TO 250 N WITH PUSH TEST
 - 50 TO 250 WITHOUT PUSH TEST
8. AREAS SHOWN AS: AREA
 - DO NOT LOCK WIRING INTERFACE
 - DO NOT DAMAGE THE PART

ISOMETRIC VIEW

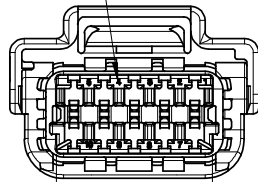


REVISED (MINOR) EC NO: GZ008-0315 DRAWN: VLOUVANCOUR 2008/02/12 CHKD: YIGEL 2008/02/12 APPR: LSTICKEIR 2008/02/13 A1	QUALITY SYMBOLS ▽=0 ▽=0	GENERAL TOLERANCES (UNLESS SPECIFIED)		DIMENSION STYLE MM ONLY		SCALE 2:1	DESIGN UNITS METRIC	FIRST ANGLE PROJECTION
		mm	INCH	DRAWN BY VLOUVANCOUR	DATE 2007/08/02	TITLE SICMA RCPT CONN SLD W/ 1.5 10CKT	DOCUMENT NO. SD-98788-005	SHEET NO. 1 OF 2
4 PLACES ± ---	± ---	DRAWN BY VLOUVANCOUR		DATE 2007/08/02	MATERIAL NO. SD-98788-005			
3 PLACES ± ---	± ---	CHECKED BY YIGEL		DATE 2007/08/02	MATERIAL NO. SD-98788-005			
2 PLACES ± ---	± ---	APPROVED BY LSTICKEIR		DATE 2007/08/02	MATERIAL NO. SD-98788-005			
1 PLACE ± 0.2	± ---	ANGULAR ± 2 °		DRAFT WHERE APPLICABLE MUST REMAIN WITHIN DIMENSIONS		MATERIAL NO. SD-98788-005		
DRAFT WHERE APPLICABLE MUST REMAIN WITHIN DIMENSIONS		SEE CHART		THIS DRAWING CONTAINS INFORMATION THAT IS PROPRIETARY TO MOLEX INCORPORATED AND SHOULD NOT BE USED WITHOUT WRITTEN PERMISSION		MATERIAL NO. SD-98788-005		

CAVITY MARKING

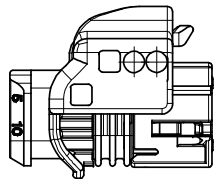


CAVITY MARKING

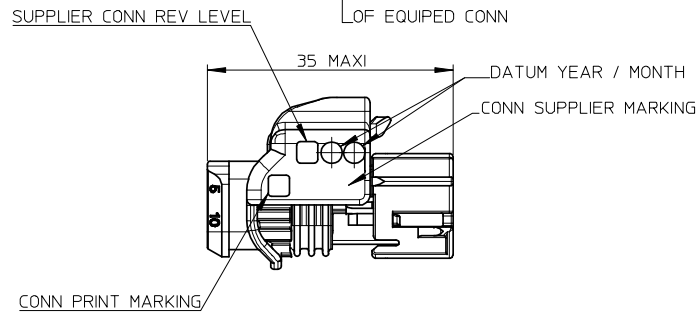
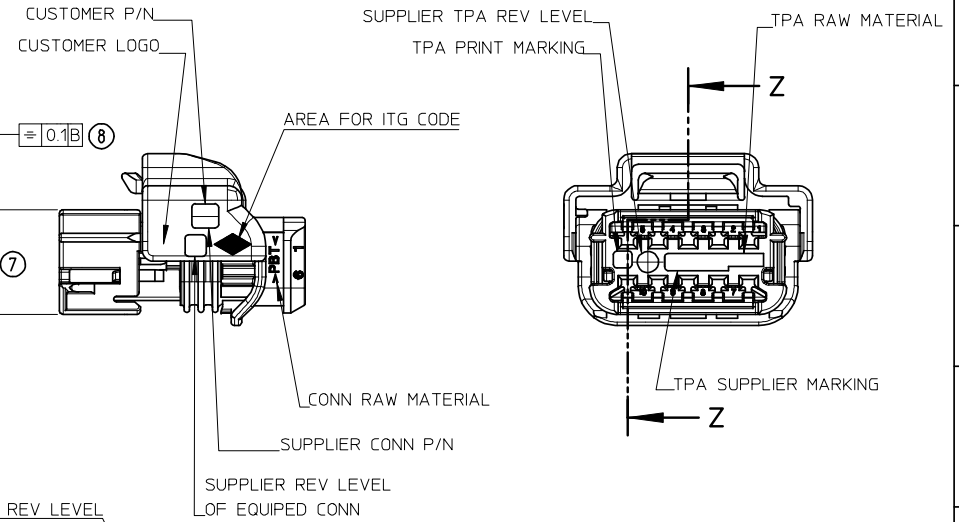


⑨ 21.95^{+0.10}_{-0.05}

VIEW WITHOUT TPA



VIEW WITH TPA LOCKED



3	1	Piece	SICMA RCPT CONN SLD 10CKT	0987880206	-	SILICONE	0.642g
2	1	Piece	SICMA RCPT CONN TPA YEL 10CKT	0987880114	-	POLYESTER YELLOW (PBT), GREY	1.469g
1	1	Piece	SICMA RCPT CONN 1.5 GRAY 10CKT	0987880108	-	UL94 HB BLACK	7.459g
			SICMA RCPT CONN 1.5 BLK 10CKT	0987880101	-		
Item	Amount	Unit	Description	Material-Number	Packing	Material	Weight Calculated
			QUALITY SYMBOLS	GENERAL TOLERANCES (UNLESS SPECIFIED)		DIMENSION STYLE	SCALE
			▽=0	mm INCH		MM ONLY	2:1
			▽=0	4 PLACES ± --- ± ---		DRAWN BY	DESIGN UNITS
				3 PLACES ± --- ± ---		VLouvancour	METRIC
				2 PLACES ± --- ± ---		CHECKED BY	① FIRST ANGLE PROJECTION
				1 PLACE ± 0.2 ± ---		YIGEL	
				ANGULAR ± 2 °		APPROVED BY	
				DRAFT WHERE APPLICABLE MUST REMAIN WITHIN DIMENSIONS		LSTICKEIR	
				SEE CHART		MATERIAL NO.	
				SIZE A 2		DOCUMENT NO.	
				THIS DRAWING CONTAINS INFORMATION THAT IS PROPRIETARY TO MOLEX INCORPORATED AND SHOULD NOT BE USED WITHOUT WRITTEN PERMISSION			