

PLEASE CHECK WWW.MOLEX.COM FOR LATEST PART INFORMATION

Part Number: **0850037093**
Status: **Active**
Overview: din_41612
Description: 2.54mm (.100") Pitch DIN 41612 C/2 Style Male Header, Right Angle, Through Hole, 0.80µm (32µ") Selective Gold (Au) Plating, 48 Circuits, with Mounting Clips, No Flux Proof, Lead free, High Temperature version

Documents:

[Drawing \(PDF\)](#) [RoHS Certificate of Compliance \(PDF\)](#)
[Product Specification PS-85003-0001 \(PDF\)](#)

Agency Certification

CSA LR19980
 UL E29179

General

Product Family Backplane Connectors
 Series 85003
 Application Backplane
 Comments With Mounting Clips. No Flux Proof. 5.4mm(.213")
 First-Mate-Last- Break Contacts. 4.8mm(.189") Normal
 Contacts
 Component Type PCB Header
 Overview din_41612
 Product Name IEC 603-2/DIN 41612
 Style C/2

Physical

Circuits (Loaded) 48
 Circuits (maximum) 48
 Circuits Detail Standard Contacts at: A:a2-a15; B:b1-b16, C:c2-c15 .
 First-Mate-Last- Break Contacts at: X:c1,c16; Y:b1,b16;
 Z:a1,a16
 Color - Resin Natural
 Durability (mating cycles max) 400
 First Mate / Last Break Yes
 Flammability 94V-0
 Guide to Mating Part No
 Keying to Mating Part Yes
 Material - Metal Brass
 Material - Plating Mating Gold
 Material - Plating Termination Tin
 Material - Resin High Temperature Thermoplastic
 Number of Columns 16
 Number of Pairs Open Pin Field
 Number of Rows 3
 Orientation Right Angle
 PC Tail Length (in) 0.118 In
 PC Tail Length (mm) 3.00 mm
 PCB Locator No
 PCB Retention Yes
 PCB Thickness Recommended (in) 0.062 In
 PCB Thickness Recommended (mm) 1.60 mm
 Packaging Type Carton
 Pitch - Mating Interface (in) 0.100 In
 Pitch - Mating Interface (mm) 2.54 mm

EU RoHS
ELV and RoHS
Compliant
REACH SVHC
 Not Reviewed
Halogen-Free
Status
Not Reviewed

China RoHS



Need more information on product environmental compliance?

Email productcompliance@molex.com
 For a multiple part number RoHS Certificate of Compliance, [click here](#)

Please visit the [Contact Us](#) section for any non-product compliance questions.

Search Parts in this Series
85003Series

Pitch - Term. Interface (in)	0.100 In
Pitch - Term. Interface (mm)	2.54 mm
Plating min: Mating (μ in)	32
Plating min: Mating (μ m)	0.80
Plating min: Termination (μ in)	98
Plating min: Termination (μ m)	2.5
Polarized to PCB	Yes
Stackable	No
Surface Mount Compatible (SMC)	No
Temperature Range - Operating	-55°C to +125°C
Termination Interface: Style	Through Hole

Electrical

Current - Maximum per Contact	1A
Data Rate	622.0 Mbps
Voltage - Maximum	250V AC (RMS)

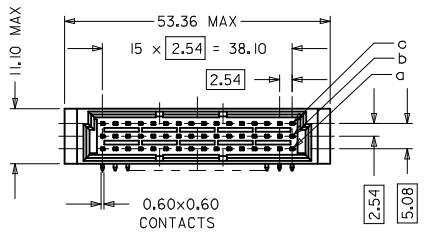
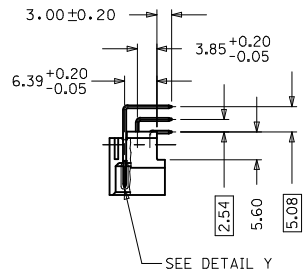
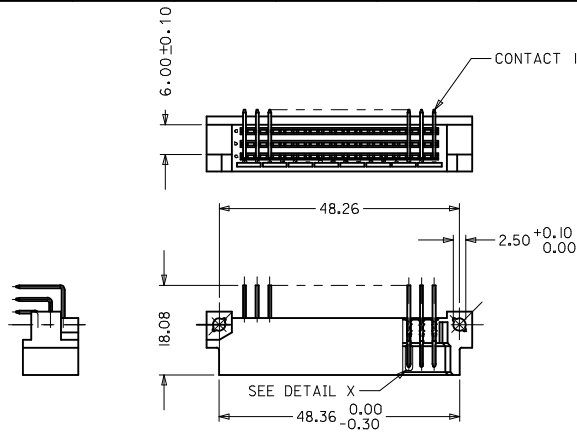
Material Info

Reference - Drawing Numbers

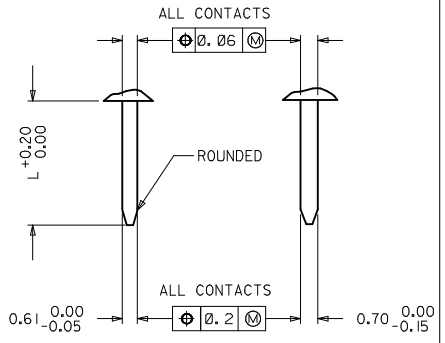
Packaging Specification	PK-85003-002
Product Specification	PS-85003-0001
Sales Drawing	SD-85003-0002, SD-85003-7093

This document was generated on 05/17/2010

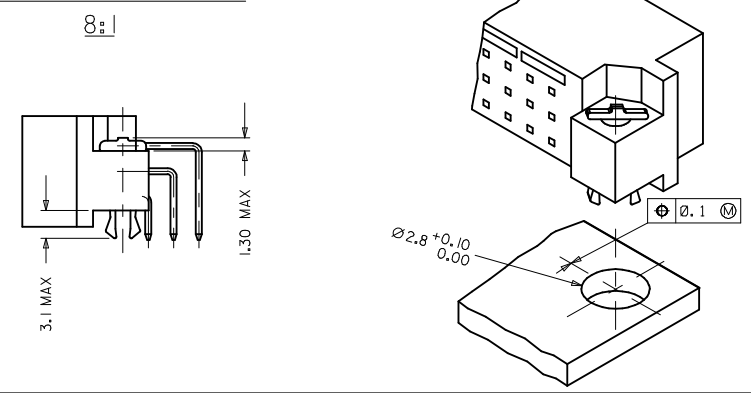
PLEASE CHECK WWW.MOLEX.COM FOR LATEST PART INFORMATION



DETAIL Y DETAIL X

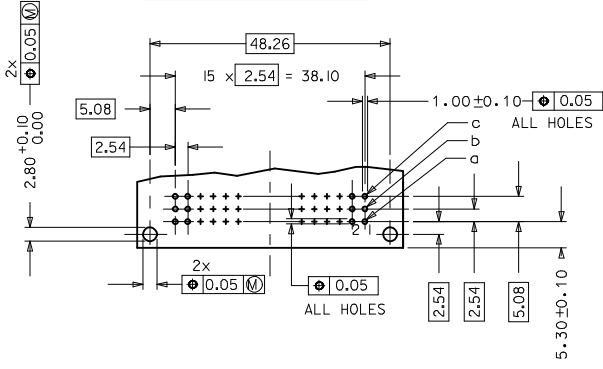


WITH MOUNTING CLIPS



- NOTES:
- MATERIALS: THERMX (PCT), GLASS FILLED, UL94V-0, COLOUR: NATURAL
TERMINAL - BRASS
MOUNTING CLIP: STEEL
 - FINISH: TERMINAL:- CONTACT AREA
 - PERFORMANCE LEVEL 1: SELECTIVE GOLD (Au), THICKNESS = 1.1 MICROMETER OVER NICKEL, THICKNESS = 1.25 MICROMETER
 - PERFORMANCE LEVEL 2: SELECTIVE GOLD (Au), THICKNESS = 0.6 MICROMETER OVER NICKEL, THICKNESS = 1.25 MICROMETER
 - PERFORMANCE LEVEL 3: SELECTIVE GOLD (Au), THICKNESS = 0.3 MICROMETER OVER NICKEL, THICKNESS = 1.25 MICROMETER
 TERMINATION AREA:
SELECTIVE TIN, THICKNESS = 2.5 MICROMETER
OVER NICKEL, THICKNESS = 1.25 MICROMETER OVERALL
 - MOUNTING CLIP:-
TIN (Sn), THICKNESS = 5-10 MICROMETER,
OVER NICKEL (Ni), THICKNESS = 2.5 MICROMETER
 - FOR NON MOUNTING CLIP OPTION, CONNECTOR TO BE SECURED WITH RIVETS: 2 TUBULAR RIVETS 2.5 x 0.3 ... DIN 7340
SCREWS: 2 CHEESEHEAD SCREWS M2.5 x ... DIN 84 AND 2 HEXAGONAL NUTS M2.5 DIN 934
 - STANDARD MARKING: MOLEX, MATERIAL NUMBER, BATCH CODE,
 - CUT FACE OF TIP WITHOUT PLATING PERMITTED
 - PRODUCT SPECIFICATION PS : 85003-0001

RECOMMENDED PCB LAYOUT
COMPONENT SIDE



PRE MATING CONTACTS	5.4
NORMAL CONTACTS	4.8
	L

RoHS COMPLIANT

EC NO: I2007-0172 DRAWN: JAYENGG 2008/06/19 CHKD: SUDHIR 2009/01/17 APPR: KRASAO 2009/01/17 REV: C1	QUALITY SYMBOLS	GENERAL TOLERANCES (UNLESS SPECIFIED)	DIMENSION STYLE	SCALE	DESIGN UNITS	THIRD ANGLE PROJECTION
	▽=0	mm INCH	MM ONLY	2:1	METRIC	
	▽=0	4 PLACES ± 0.05	DRAWN BY: NS	DATE: 2001/05/14	TITLE: 48 POS. MALE CONNECTOR ACC. DIN 41612 STYLE C/2 CONTACTS	
		3 PLACES ± 0.05	CHECKED BY: GJLOWE	DATE: 2001/05/14	MOLEX INCORPORATED	
	2 PLACES ± 0.1	APPROVED BY: GJLOWE	DATE: 2001/05/14	DOCUMENT NO. SD-85003-0002		SHEET NO. 4 OF 4
	1 PLACE ± 0.15	ANGULAR ± 2°	THIS DRAWING CONTAINS INFORMATION THAT IS PROPRIETARY TO MOLEX INCORPORATED AND SHOULD NOT BE USED WITHOUT WRITTEN PERMISSION			
DRAFT WHERE APPLICABLE MUST REMAIN WITHIN DIMENSIONS		SIZE A1				

20 19 18 17 16 15 14 13 12 11 9 8 7 6 5 4 3 2 1

VIEW ON MATING SIDE

⊙	X	C	C	C	C	C	C	C	C	C	C	C	C	C	C	X
⊙	Y	B	B	B	B	B	B	B	B	B	B	B	B	B	B	Y
⊙	Z	A	A	A	A	A	A	A	A	A	A	A	A	A	A	Z
	16	15	14	13	12	11	10	9	8	7	6	5	4	3	2	1

A = 14 STANDARD CONTACTS L= 3,0
 B = 14 STANDARD CONTACTS L= 3,0
 C = 14 STANDARD CONTACTS L= 3,0
 Z = 2 FMLB CONTACTS +0,6 L= 3,0
 Y = 2 FMLB CONTACTS +0,6 L= 3,0
 X = 2 FMLB CONTACTS +0,6 L= 3,0
 S = 48 TOTAL NUMBER OF CONTACTS

MARKING	STANDARD
PERFORMANCE LEVEL	G2/O = CONTACT AREA LEVEL2 / TERMINATION TIN
FLUX PROOF	NO
FIXING CLIP	YES
DIMENSIONS	SD-85003-0002 SHT 4

X	G2/O	c1,16
Y	G2/O	b1,16
Z	G2/O	a1,16
C	G2/O	c2-15
B	G2/O	b2-15
A	G2/O	a2-15
CONTACT SYMBOL	PERFORMANCE LEVEL	CONTACT POSITION NUMBER

EC NO. I 2004-XXXX DRAWN BY 09/09/03 CHK'd G.L. 09/09/03 APPR'd L. 09/09/03	QUALITY SYMBOLS MAJOR ∇ CRITICAL ∇	GENERAL TOLERANCES: (UNLESS SPECIFIED): mm INCH 4 PLACES $\pm 0, \pm$ 3 PLACES $\pm 0, \pm$ 2 PLACES $\pm 0, \pm$ 1 PLACE $\pm 0, \pm$	SCALE DESIGN UNITS <input checked="" type="checkbox"/> mm <input type="checkbox"/> INCH	DRAWN BY & DATE N.S. 14/05/01 CHECKED BY & DATE G.L. 14/05/01 APPROVED BY & DATE G.L. 14/05/01	DIMENSIONS: THIRD ANGLE PROJECTION <input type="checkbox"/> mm <input type="checkbox"/> INCH <input checked="" type="checkbox"/> mm ONLY	SHT 1 REV REVISE ON CAD ONLY	
	CAD FILENAME SD-85003-7093.S0		MATERIAL NO. 85003-7093		DRAWING NO. SD-85003-7093		
	DRAFT WHERE APPLICABLE MUST REMAIN WITHIN DIMENSIONS		THIS DRAWING CONTAINS INFORMATION THAT IS PROPRIETARY TO MOLEX INCORPORATED AND SHOULD NOT BE USED WITHOUT WRITTEN PERMISSION.				
	SHEET NO. 1 OF 1		SIZE D		MOLEX INCORPORATED		

19 18 17 16 15 14 13 12 11 10 9 8 7 6 5 4 3 2 1