

**PLEASE CHECK WWW.MOLEX.COM FOR LATEST PART INFORMATION**

**Part Number:** [0545501071](#)  
**Status:** **Active**  
**Overview:** [ffc fpc smt](#)  
**Description:** 0.50mm (.020") Pitch FFC/FPC Connector, 1.20mm (.047") Height, Right Angle, SMT, ZIF, Top Contact Style, 10 Circuits, Gold (Au) Contact Plating

**Documents:**

[3D Model](#) [Product Specification PS-54550-012 \(PDF\)](#)  
[Drawing \(PDF\)](#) [RoHS Certificate of Compliance \(PDF\)](#)

**General**

Product Family FFC/FPC Connectors  
 Series [54550](#)  
 Overview [ffc fpc smt](#)  
 Product Name N/A

**Physical**

Circuits (Loaded) 10  
 Contact Position Top  
 Durability (mating cycles max) 20  
 Entry Angle 90° Angle  
 Mated Height (in) 0.047 In  
 Mated Height (mm) 1.20 mm  
 Material - Metal Phosphor Bronze  
 Material - Plating Mating Gold  
 Material - Plating Termination Tin  
 Number of Rows 1  
 Orientation Right Angle  
 PCB Locator No  
 PCB Retention Yes  
 Packaging Type Embossed Tape on Reel  
 Pitch - Mating Interface (in) 0.020 In  
 Pitch - Mating Interface (mm) 0.50 mm  
 Polarized to PCB Yes  
 Stackable No  
 Temperature Range - Operating -20°C to +85°C  
 Termination Interface: Style Surface Mount  
 Wire/Cable Type FFC/FPC

**Electrical**

Current - Maximum per Contact 0.5A  
 Voltage - Maximum 50V

**Material Info**

**Reference - Drawing Numbers**

Packaging Specification SPK-54550-056  
 Product Specification PS-54550-012, RPS-54550-078, RPS-54550-080,  
 RPS-54550-083, RPS-54550-088, RPS-54550-089,  
 RPS-54550-090  
 Sales Drawing SD-54550-042, SD-54550-043

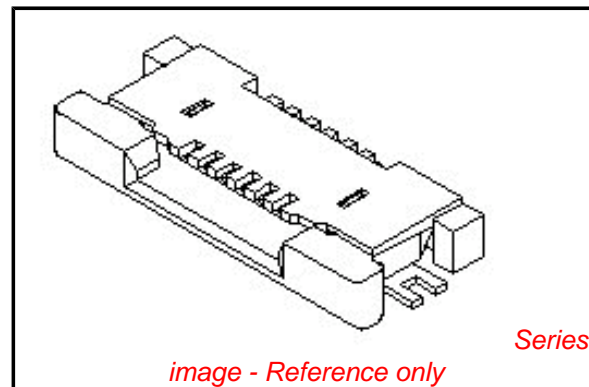


image - Reference only

**EU RoHS**

**ELV and RoHS  
 Compliant**  
**REACH SVHC**  
 Not Reviewed  
**Halogen-Free  
 Status**  
 Not Reviewed

**China RoHS**



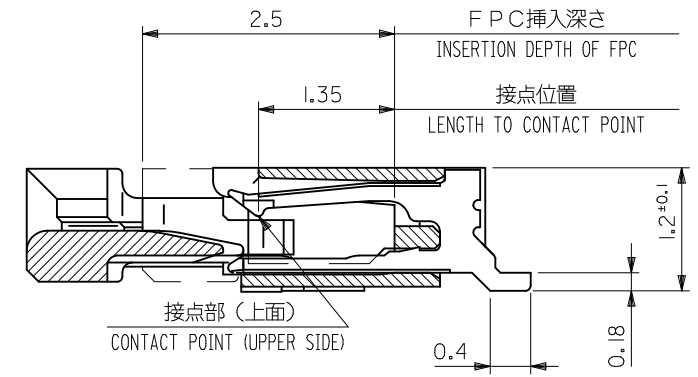
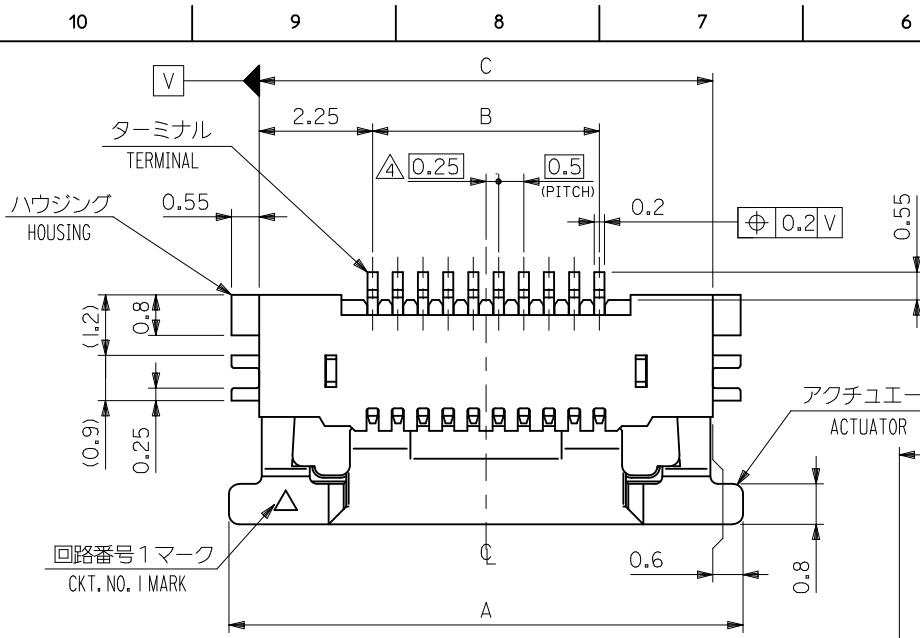
**Need more information on product  
 environmental compliance?**

Email [productcompliance@molex.com](mailto:productcompliance@molex.com)  
 For a multiple part number RoHS Certificate of  
 Compliance, [click here](#)

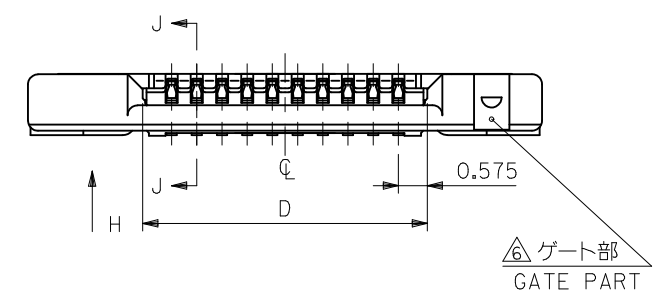
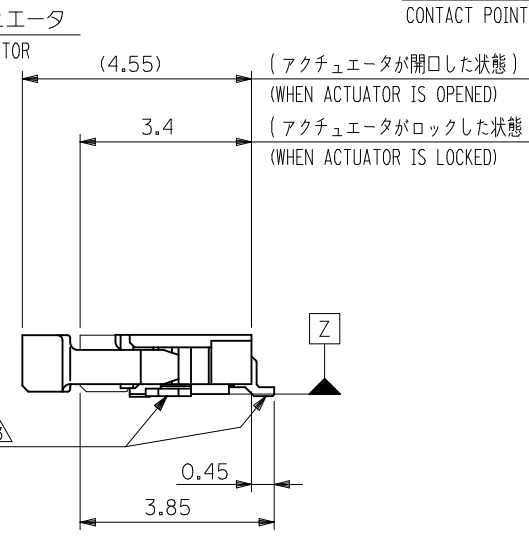
Please visit the [Contact Us](#) section for any  
 non-product compliance questions.

**Search Parts in this Series**

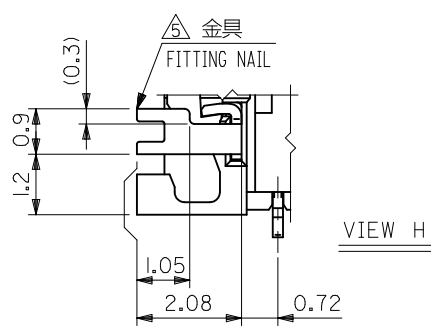
54550Series



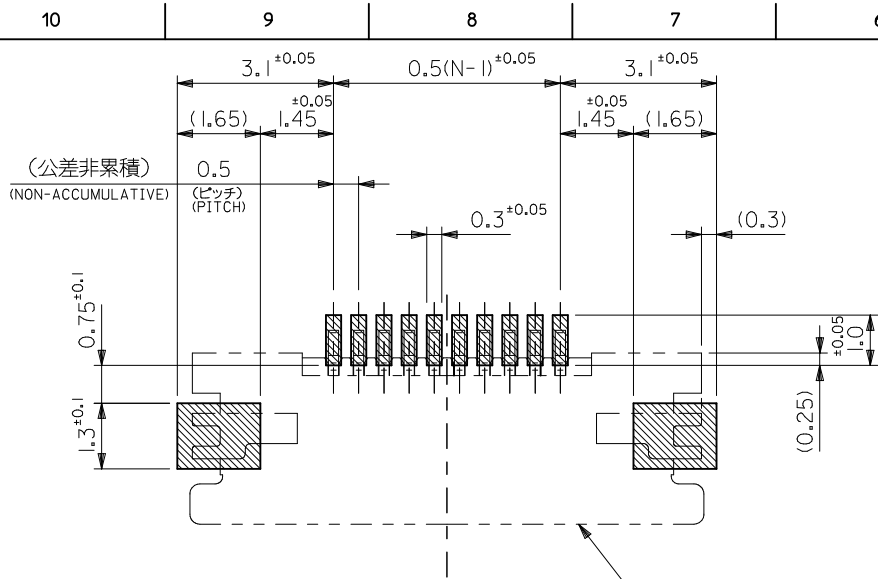
SECT. J-J  
SCALE 20:1



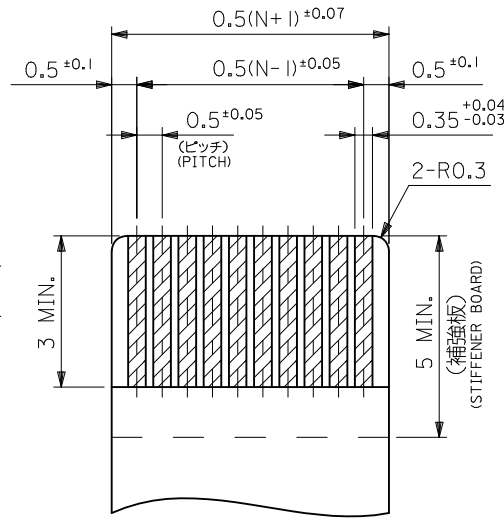
0.3±0.03	13.65	17	12.5	18.2	54550-2671	26
	12.65	16	11.5	17.2	54550-2471	24
	11.65	15	10.5	16.2	54550-2271	22
	11.15	14.5	10	15.7	54550-2171	21
	10.65	14	9.5	15.2	54550-2071	20
	10.15	13.5	9	14.7	54550-1971	19
	9.65	13	8.5	14.2	54550-1871	18
	9.15	12.5	8	13.7	54550-1771	17
	8.65	12	7.5	13.2	54550-1671	16
	7.65	11	6.5	12.2	54550-1471	14
	7.15	10.5	6	11.7	54550-1371	13
	6.65	10	5.5	11.2	54550-1271	12
	6.15	9.5	5	10.7	54550-1171	11
	5.65	9	4.5	10.2	54550-1071	10
5.15	8.5	4	9.7	54550-0971	9	
4.65	8	3.5	9.2	54550-0871	8	
4.15	7.5	3	8.7	54550-0771	7	
3.65	7	2.5	8.2	54550-0671	6	
3.15	6.5	2	7.7	54550-0571	5	
2.65	6	1.5	7.2	54550-0471	4	
THICKNESS OF FPC	D	C	B	A	EMBOSSED TAPE ORDER No. オート番号	極数 Ck+



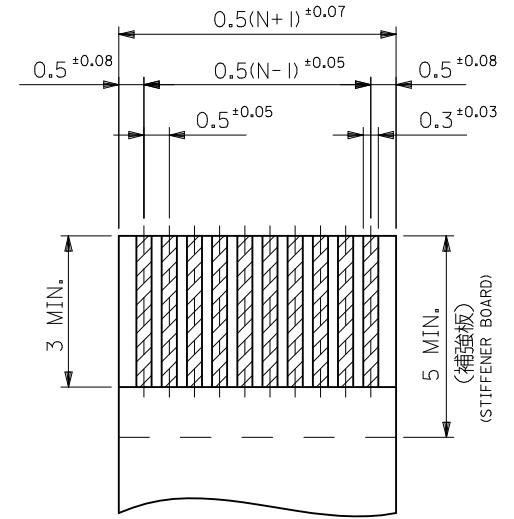
REVISED EC NO: J2010-1202 DRWN: TONO 2009/12/11 CHKD: SHIHOYAMA 2009/12/11 APPR: KMORIKAWA 2009/12/14 M	GENERAL TOLERANCES (UNLESS SPECIFIED) 10 UNDER ±0.2 10 OVER 30 UNDER ±0.25 30 OVER ±0.3 ANGULAR ±3 ° DRAFT WHERE APPLICABLE MUST REMAIN WITHIN DIMENSIONS	DIMENSION STYLE <b>MM ONLY</b> DRAWN BY DATE M. NINOMIYA 2004/02/12 CHECKED BY DATE K. TOJO 2004/02/12 APPROVED BY DATE M. SASAO 2004/02/12 MATERIAL NO.	SCALE <b>10:1</b> DESIGN UNITS <b>METRIC</b> THIRD ANGLE PROJECTION	CONNECTOR SERIES NO. 54550-**-29 <b>0.5 FPC CONN. HSG ASSY FOR SMT RA U/CONTACT</b> <b>MOLEX INCORPORATED</b> DOCUMENT NO. SD-54550-042 SHEET NO. 1 OF 2	
	THIS DRAWING CONTAINS INFORMATION THAT IS PROPRIETARY TO MOLEX INCORPORATED AND SHOULD NOT BE USED WITHOUT WRITTEN PERMISSION	SEE TABLE	SEE TABLE	SEE TABLE	SEE TABLE
	SIZE <b>A3</b>	SEE TABLE	SEE TABLE	SEE TABLE	SEE TABLE
	REV M	REV M	REV M	REV M	REV M
	REV M	REV M	REV M	REV M	REV M



参考基板レイアウト  
RECOMMENDED P.C.BOARD  
PATTERN DIMENSION (REF.)  
(マウント面)  
(MOUNTING SIDE)  
コネクタ位置  
CONNECTOR POSITION



適合FPC推奨寸法  
APPLICABLE FPC  
RECOMMENDED DIMENSION  
(仕上がり厚さ:表参照)  
(THICKNESS:SEE CHART)



適合FFC推奨寸法  
APPLICABLE FFC  
RECOMMENDED DIMENSION  
(仕上がり厚さ:表参照)  
(THICKNESS:SEE CHART)

注記 NOTES

1. 使用材料 MATERIAL

- ハウジング : LCP, UL94V-0  
HOUSING  
アクチュエータ : PPS, UL94V-0  
ACTUATOR  
ターミナル : リン青銅  
TERMINAL : PHOSPHOR BRONZE  
メッキ : 接点部:金メッキ  
PLATING : CONTACT PORTION : GOLD PLATING  
: 半田付部:錫メッキ  
: SOLDERING PORTION : TIN PLATING  
: 下地:ニッケルメッキ  
: UNDER PLATING : NICKEL PLATING  
金具 : リン青銅, ニッケル下地 錫メッキ  
FITTING NAIL : PHOSPHOR BRONZE, TIN OVER NICKEL PLATING

2. エンボステープ梱包時は、アクチュエータがロックした状態とする。  
IN THE PACKAGE, ACTUATOR OF PART NO.54550-\*\*29 SHOULD BE LOCKED.  
⚠️ ソルダータール半田付け面のズレ量、及び金具半田付け面のズレ量は、基準面 Z に対し上方向 OMAX.、下方向 0.15MAX.とし  
相互のバラッキ量は0.1MAX.とする。  
MISALIGNMENT OF SOLDER TAILS AND FITTING NAILS FROM UPPER DIRECTION: 0 MAX., LOWER DIRECTION: 0.15 MAX. OFFSET BETWEEN UPPER AND LOWER 0.1 MAX.

- ⚠️ 偶数極に適用。  
APPLY FOR EVEN CIRCUIT.

- ⚠️ パターンはくり止め用金具  
FITTING NAIL FOR PREVENTION OF PEELING OF P.C.B. PATTERN.

- ⚠️ ゲート部は、左右どちらか一方にあるものとする。  
A GATE PART -- RIGHT AND LEFT -- IT SHALL BE IN EITHER.

7. 本製品は 54550-\*\*27 の鉛フリー品である。  
THIS PRODUCT IS LEAD FREE OF 54550-\*\*27.

8. N: 極数 N: CIRCUIT.

9. ELV 及び RoHS 適合品 / ELV AND RoHS COMPLIANT.

FPC/FFC について:

打ち抜き方向は導体側から補強板側を推奨します。  
導体部については軟銅箔35μmまたは50μmを推奨します。

ABOUT FPC/FFC  
RECOMMENDED PUNCHER DIRECTION : FROM CONDUCTOR SIDE TO STIFFENER FILM SIDE.  
RECOMMENDED CONDUCTOR SPEC :  
THICKNESS OF SOFT COPPER FOIL : 35 MICROMETER OR 50 MICROMETER.

FPC について:

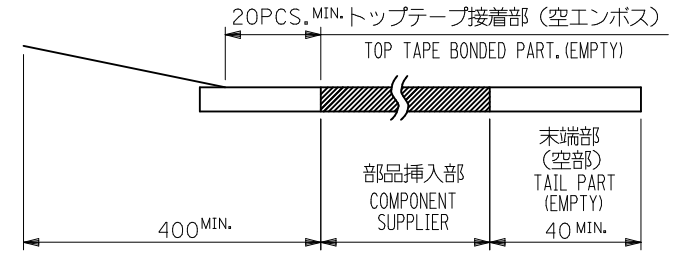
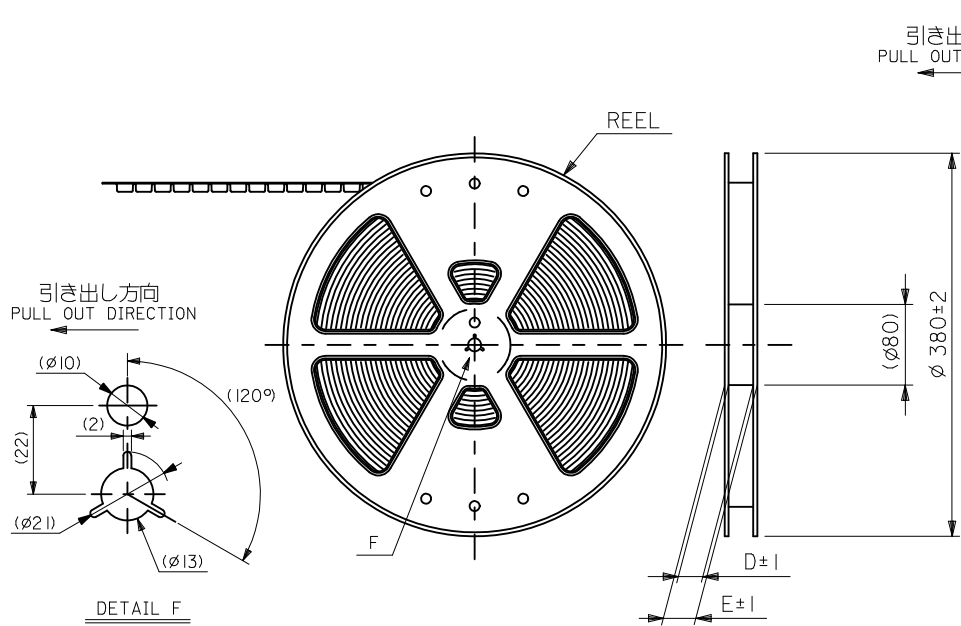
補強フィルム材質はポリイミドを推奨します。ベースフィルムは25μmを推奨します。  
接着剤は熱硬化接着剤を推奨します。  
尚、接着剤の接点部への付着は導通不良の原因になりますので、染み出しが無い様、お願い致します。

ABOUT FPC  
RECOMMENDED MATERIAL/THICKNESS.  
STIFFENER FILM : POLYIMIDE  
BASE FILM THICKNESS : 25μm  
BONDING AGENT : THERMOSETTING BONDING AGENT  
PLEASE PUT APPROPRIATE AMOUNT OF ADHESIVE ON THE CONTACT AREA BECAUSE THE EXTRA ADHESIVE MAY CAUSE THE DEFECT IN ELECTRICAL CONTINUITY.

REVISED EC NO: J2010-1202 DRWN: TONO 2009/12/11 CHKD: HSHIMOIYAMA 2009/12/11 APPR: KMORIKAWA 2009/12/14	DESCRIPTION	GENERAL TOLERANCES (UNLESS SPECIFIED)		DIMENSION STYLE MM ONLY		SCALE ---	DESIGN UNITS METRIC	THIRD ANGLE PROJECTION	
		10 UNDER	±0.2	DRAWN BY M. NINOMIYA	DATE 2004/02/12	TITLE 0.5 FPC CONN. HSG ASSY FOR SMT RA U/CONTACT			
		10 OVER 30 UNDER	±0.25	CHECKED BY K. TOJO	DATE 2004/02/12				
		30 OVER	±0.3	APPROVED BY M. SASAO	DATE 2004/02/12				
		ANGULAR	±3 °	MATERIAL NO. SEE SHEET 1		DOCUMENT NO. SD-54550-042		SHEET NO. 2 OF 2	
		DRAFT WHERE APPLICABLE MUST REMAIN WITHIN DIMENSIONS		THIS DRAWING CONTAINS INFORMATION THAT IS PROPRIETARY TO MOLEX INCORPORATED AND SHOULD NOT BE USED WITHOUT WRITTEN PERMISSION					

NOTES

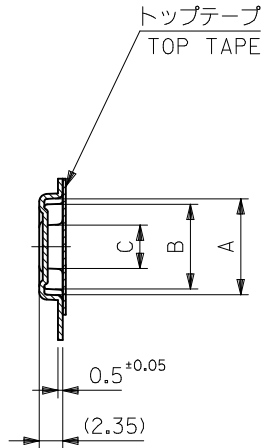
- 製品詳細寸法については図面 SD-54550-042 を参照下さい。  
RE DETAILED DIMENSION, SEE SD-54550-042.
- 梱包数量：3000個/リール  
NUMBER OF CONNECTORS : 3000PCS/REEL
- リードテープ長さ LEAD TAPE LENGTH



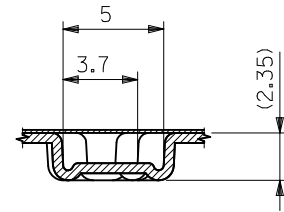
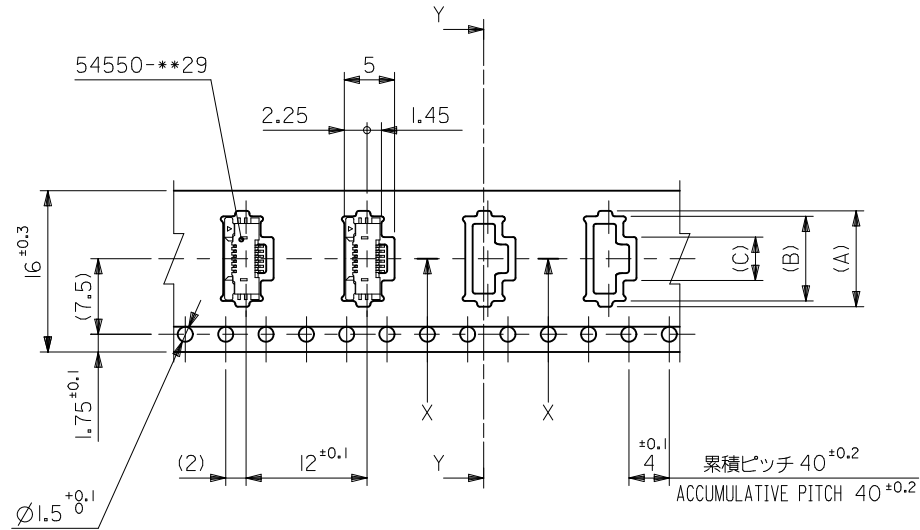
- 材料 (MATERIAL)  
キャリアテープ (CARRIER TAPE) : ポリプロピレン (POLYPROPYLENE)  
トップテープ (TOPTAPE) : PET, PE, PEF  
リール (REEL) : ポリスチレン (P.S) <リサイクル材を含む>  
POLYSTYRENE (PS) <RECYCLE MATERIAL CONTAINED>
- 本製品は 54550-\*\*\*9I の鉛フリー品である。  
THIS PRODUCT IS LEAD FREE OF 54550-\*\*\*9I.
- ELV 及び RoHS 適合品 / ELV AND RoHS COMPLIANT.

REVISED EC NO: J2010-1202 DRWN: TONO 2009/12/11 CHK'D: SHIHOYAMA 2009/12/11 APPR: KMORIKAWA 2009/12/14	GENERAL TOLERANCES (UNLESS SPECIFIED)		DIMENSION STYLE MM ONLY		SCALE ---	DESIGN UNITS METRIC	THIRD ANGLE PROJECTION
	10 UNDER	±0.2	DRAWN BY M. NINOMIYA	DATE 2004/02/12	TITLE EMBSTP PKG FOR 0.5 FPC CONN ZIF UPR CONT		
	10 OVER 30 UNDER	±0.25	CHECKED BY K. TOJO	DATE 2004/02/12			
	30 OVER	±0.3	APPROVED BY M. SASAO	DATE 2004/02/12	MOLEX INCORPORATED		
ANGULAR ±3 °		MATERIAL NO.	DOCUMENT NO.	SHEET NO.			
DRAFT WHERE APPLICABLE MUST REMAIN WITHIN DIMENSIONS		SEE SHEET 1 OR 2		SD-54550-043		1 OF 3	
		SIZE A3		THIS DRAWING CONTAINS INFORMATION THAT IS PROPRIETARY TO MOLEX INCORPORATED AND SHOULD NOT BE USED WITHOUT WRITTEN PERMISSION			

引き出し方向  
PULL OUT DIRECTION



SECT. Y-Y



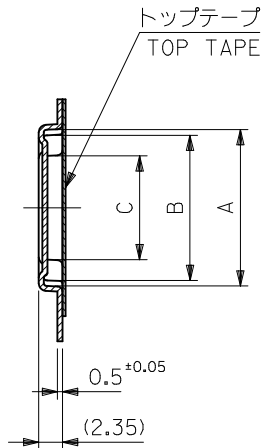
SECT. X-X

16mm幅キャリアテープ  
16mm WIDTH CARRIER TAPE

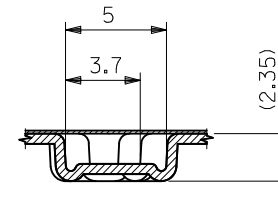
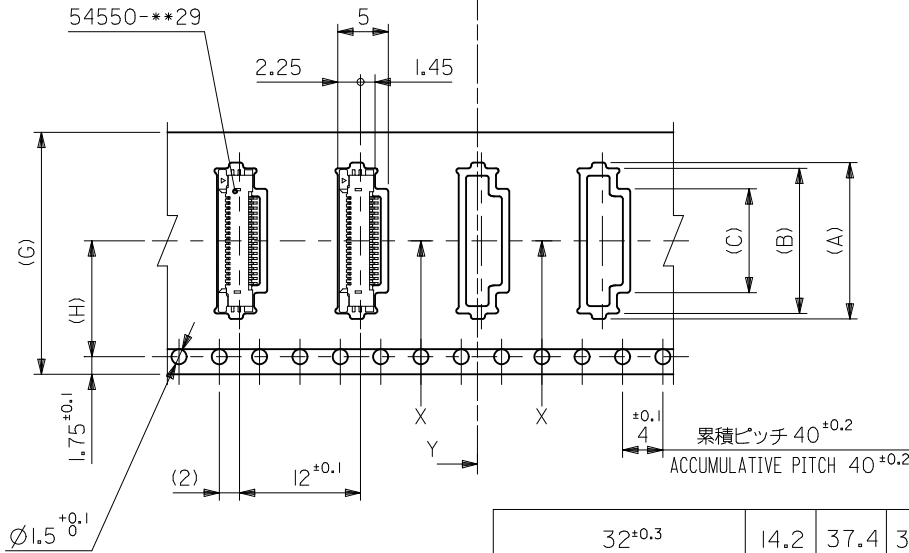
16	21.4	17.4	4.3	8.4	9.5	54550-0671	6
			3.8	7.9	9	54550-0571	5
			3.3	7.4	8.5	54550-0471	4
キャリアテープ幅 CARRIER TAPE WIDTH			E	D	(C)	(B)	(A)
						製品番号 MATERIAL No.	極数 Ck†

REVISED EC NO: J2010-1202 DRWN: TONO 2009/12/11 CHKD: SHIMOMIYAMA 2009/12/11 APPR: KMORIKAWA 2009/12/14	GENERAL TOLERANCES (UNLESS SPECIFIED)		DIMENSION STYLE MM ONLY		SCALE ---	DESIGN UNITS METRIC	THIRD ANGLE PROJECTION	
	10 UNDER	± 0.2	DRAWN BY M. NINOMIYA	DATE 2004/02/12	TITLE EMBSTP PKG FOR 0.5 FPC CONN ZIF UPR CONT			
	10 OVER 30 UNDER	± 0.25	CHECKED BY K. TOJO	DATE 2004/02/12				
	30 OVER	± 0.3	APPROVED BY M. SASAO	DATE 2004/02/12	MOLEX INCORPORATED SD-54550-043 SHEET NO. 2 OF 3			
	ANGULAR ± 3 °		MATERIAL NO. SEE TABLE					
DRAFT WHERE APPLICABLE MUST REMAIN WITHIN DIMENSIONS		SIZE A3		THIS DRAWING CONTAINS INFORMATION THAT IS PROPRIETARY TO MOLEX INCORPORATED AND SHOULD NOT BE USED WITHOUT WRITTEN PERMISSION				

引き出し方向  
PULL OUT DIRECTION



SECT. Y-Y



SECT. X-X

24, 32mm幅キャリアテープ  
24mm, 32mm WIDTH CARRIER TAPE

24 <sup>±0.3</sup>	11.5	29.4	25.4	32 <sup>±0.3</sup>	14.2	37.4	33.4	14.3	18.4	19.5	54550-2671	26
				13.3	17.4	18.5	54550-2471	24				
				12.3	16.4	17.5	54550-2271	22				
				11.8	15.9	17	54550-2171	21				
				11.3	15.4	16.5	54550-2071	20				
				10.8	14.9	16	54550-1971	19				
				10.3	14.4	15.5	54550-1871	18				
				9.8	13.9	15	54550-1771	17				
				9.3	13.4	14.5	54550-1671	16				
				8.3	12.4	13.5	54550-1471	14				
				7.8	11.9	13	54550-1371	13				
				7.3	11.4	12.5	54550-1271	12				
				6.8	10.9	12	54550-1171	11				
				6.3	10.4	11.5	54550-1071	10				
5.8	9.9	11	54550-0971	9								
5.3	9.4	10.5	54550-0871	8								
4.8	8.9	10	54550-0771	7								
G	キャリアテープ幅 CARRIER TAPE WIDTH	H	E	D	(C)	(B)	(A)	製品番号 MATERIAL No.	極数 Ck+			

REVISED EC NO: J2010-1202 DRWN: TONO 2009/12/11 CHKD: SHIMOMIYAMA 2009/12/11 APPR: KMORIKAWA 2009/12/14	DESCRIPTION	GENERAL TOLERANCES (UNLESS SPECIFIED)		DIMENSION STYLE MM ONLY		SCALE ---	DESIGN UNITS METRIC	THIRD ANGLE PROJECTION	
		10 UNDER	±0.2	DRAWN BY M. NINOMIYA	DATE 2004/02/12	TITLE EMBSTP PKG FOR 0.5 FPC CONN ZIF UPR CONT			
		10 OVER 30 UNDER	±0.25	CHECKED BY K. TOJO	DATE 2004/02/12	MOLEX INCORPORATED			
		30 OVER	±0.3	APPROVED BY M. SASAO	DATE 2004/02/12	DOCUMENT NO. SD-54550-043		SHEET NO. 3 OF 3	
REV	ANGULAR ±3 °	DRAFT WHERE APPLICABLE MUST REMAIN WITHIN DIMENSIONS		MATERIAL NO. SEE TABLE		THIS DRAWING CONTAINS INFORMATION THAT IS PROPRIETARY TO MOLEX INCORPORATED AND SHOULD NOT BE USED WITHOUT WRITTEN PERMISSION			