

**PLEASE CHECK WWW.MOLEX.COM FOR LATEST PART INFORMATION**

**Part Number:** [0511021200](#)  
**Status:** **Active**  
**Overview:** [minilock](#)  
**Description:** 2.50mm (.098") Pitch Mini-Lock™ Wire-to-Board Housing, Friction Lock, 12 Circuits

**Documents:**

[3D Model](#) [Product Specification PS-51102-002 \(PDF\)](#)  
[Drawing \(PDF\)](#) [RoHS Certificate of Compliance \(PDF\)](#)

**General**

Product Family	Crimp Housings
Series	<a href="#">51102</a>
Overview	<a href="#">minilock</a>
Product Name	Mini-Lock™

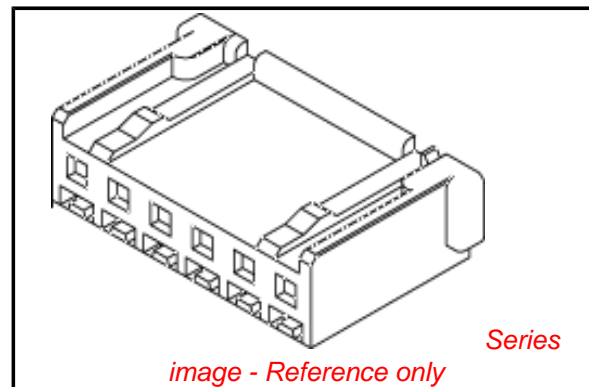
**Physical**

Circuits (maximum)	12
Color - Resin	Natural
Gender	Female
Glow-Wire Compliant	No
Lock to Mating Part	Yes
Material - Resin	Polyester
Number of Rows	1
Packaging Type	Bag
Panel Mount	No
Pitch - Mating Interface (in)	0.098 In
Pitch - Mating Interface (mm)	2.50 mm
Stackable	No
Temperature Range - Operating	-40°C to +105°C

**Material Info**

**Reference - Drawing Numbers**

Packaging Specification	SPK-51102-001
Product Specification	PS-51102-002, RPS-51103-049, RPS-51103-057
Sales Drawing	SD-51102-**00



**EU RoHS**

**ELV and RoHS  
Compliant**  
**REACH SVHC**  
 Not Reviewed  
**Halogen-Free  
Status**

**China RoHS**



**Need more information on product  
environmental compliance?**

Email [productcompliance@molex.com](mailto:productcompliance@molex.com)  
 For a multiple part number RoHS Certificate of Compliance, [click here](#)

Please visit the [Contact Us](#) section for any non-product compliance questions.

**Search Parts in this Series**

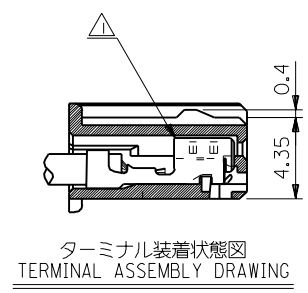
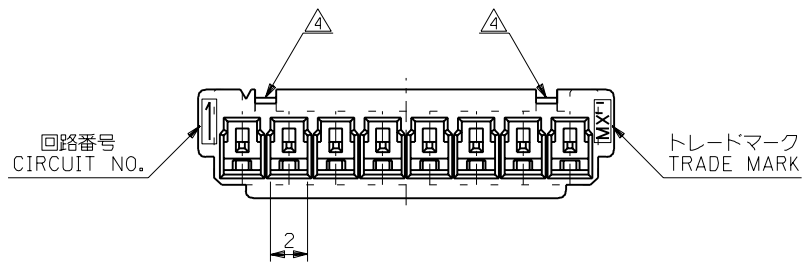
[51102Series](#)

**Mates With**

[53375](#) , [53426](#)

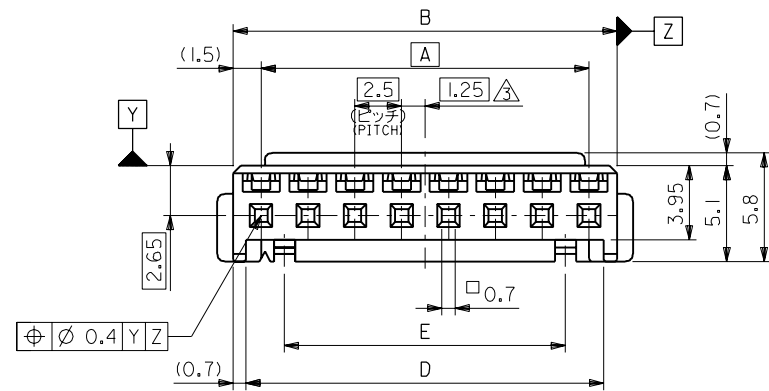
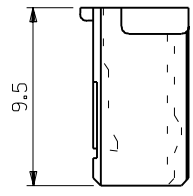
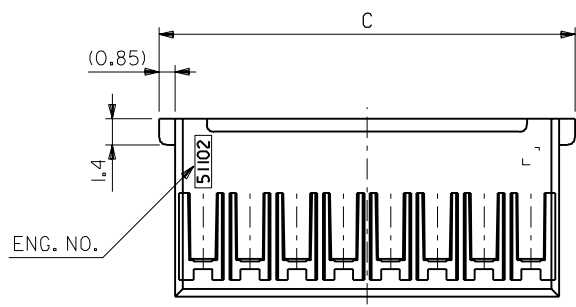
**Use With**

[50351](#)



注記 NOTES

- △ 適合ターミナル：5035I-8\*00  
APPLICABLE TERMINAL：5035I-8\*00
- 2. 嵌合相手：53375,53376,53388,53389,53426  
53535 シリーズ  
MATE WITH：53375,53376,53388,53389,53426  
53535 SEIRES
- △ 偶数極の製品に適用。  
APPLY EVEN CIRCUIT PRODUCTS.
- △ ロックの数 NUMBER OF LOCKS  
5極以下：1個  
LESS THAN 5 CIRCUIT PRODUCTS：1 PIECE  
6極以上：2個  
MORE THAN 6 CIRCUIT PRODUCTS：2 PIECES



32.5	36.6	39.7	38	35	51102-1500	15
30	34.1	37.2	35.5	32.5	↑ -1400	14
27.5	31.6	34.7	33	30	-1300	13
25	29.1	32.2	30.5	27.5	-1200	12
22.5	26.6	29.7	28	25	-1100	11
20	24.1	27.2	25.5	22.5	-1000	10
17.5	21.6	24.7	23	20	-0900	9
15	19.1	22.2	20.5	17.5	-0800	8
12.5	16.6	19.7	18	15	-0700	7
10	14.1	17.2	15.5	12.5	-0600	6
—	11.6	14.7	13	10	-0500	5
—	9.1	12.2	10.5	7.5	-0400	4
—	6.6	9.7	8	5	↓ -0300	3
—	4.1	7.2	5.5	2.5	51102-0200	2
E	D	C	B	A	ENG. NO.	極数 NO. OF CKT.

角度 ANGLE	公差 TOLERANCES	記号 LTR	変更内容 REVISION RECORD	DR. CHK.	日付 DATE
±3°		C	変更 REVISD (J50376)	K.T. S.K	'95/5/23
30以上 OVER	+0.3	B	変更 REVISD (J30011)	K.T. H.H	'93/1/19
10以上 30未満 UNDER	+0.25	A	変更 REVISD (J20981)	K.T. H.H	'92/10/21
10未満 UNDER	+0.2	O	新規作成 PROPOSED (J20669)	H.H. M.F	'92/7/29

材料 MATERIAL	PBTP, UL94V-0 (白色 WHITE)	モレックス MOLEX-JAPAN CO.,LTD. 日本モレックス株式会社
仕上げ FINISH	—	REVISE ONLY ON CAD SYSTEM
適用電線範囲 WIRE RANGE	—	TITLE 名称
被覆外径 INS. RANGE	—	2.5 WIRE TO BOARD CONN. HOUSING (FRICTION LOCK)
DRAWN BY '92/7/29	CHK'D BY '95/5/23	DWG. NO.
H.HIRAMOTO	S.KUNISHI	SD-51102-***00
APP'D BY '95/5/23	尺度 SCALE 4 - 1	REV
M.FUKUSHIMA		C

DIMENSIONS IN METRIC DO NOT SCALE DRAWING

MM

51102-311