

**PLEASE CHECK WWW.MOLEX.COM FOR LATEST PART INFORMATION**

**Part Number:** **0505978100**  
**Status:** **Active**  
**Description:** 3.96mm (.156") Wire-to-Wire and 6.50mm (.256") Pitch Wire-to-Board Crimp Terminal, Female, 50597, 16-22 AWG, Bag

**Documents:**

[Drawing \(PDF\)](#) [Product Specification PS-51142-003 \(PDF\)](#)  
[Product Specification PS-51138-001 \(PDF\)](#) [RoHS Certificate of Compliance \(PDF\)](#)  
[Product Specification PS-51138-002 \(PDF\)](#)

**General**

Product Family Crimp Terminals  
 Series 50597  
 Crimp Quality Equipment Yes  
 Product Name N/A

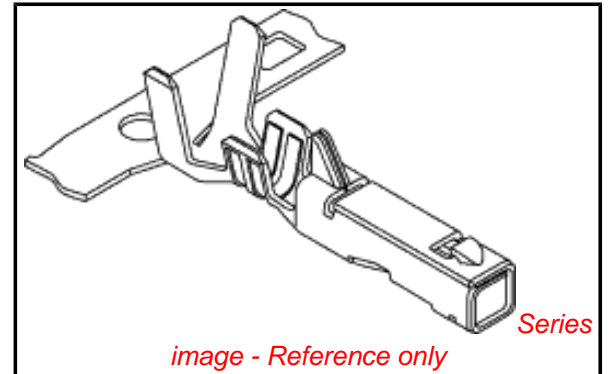
**Physical**

Gender Female  
 Material - Metal Copper  
 Material - Plating Mating Tin  
 Material - Plating Termination Tin  
 Packaging Type Bag  
 Plating min: Mating (µin) 36  
 Plating min: Mating (µm) 0.90  
 Plating min: Termination (µin) 36  
 Plating min: Termination (µm) 0.90  
 Termination Interface: Style Crimp or Compression  
 Wire Insulation Diameter 2.00-2.50mm (.079-.098"), 2.00-3.30mm (.079"-.130")  
 Wire Size AWG 16, 18, 20, 22  
 Wire Size mm<sup>2</sup> N/A

**Material Info**

**Reference - Drawing Numbers**

Product Specification PS-51138-001, PS-51138-002, PS-51142-003, RPS-51142-001, RPS-51142-002, RPS-51142-003, RPS-51142-004, RPS-51142-005, RPS-51142-006, RPS-51142-007, RPS-51142-008  
 Sales Drawing SD-50597-8\*00



**EU RoHS**

**ELV and RoHS Compliant**

**REACH SVHC**

Not Reviewed

**Halogen-Free**

Status

**Not Reviewed**

**Need more information on product environmental compliance?**

Email [productcompliance@molex.com](mailto:productcompliance@molex.com)  
 For a multiple part number RoHS Certificate of Compliance, [click here](#)

Please visit the [Contact Us](#) section for any non-product compliance questions.

**China RoHS**



**Search Parts in this Series**

50597Series

**Mates With**

50599 male crimp terminal, 50600 male crimp terminal 20-26 AWG

**Use With**

51138 , 51142

**Application Tooling | FAQ**

*Tooling specifications and manuals are found by selecting the products below. Crimp Height Specifications are then contained in the Application Tooling Specification document.*

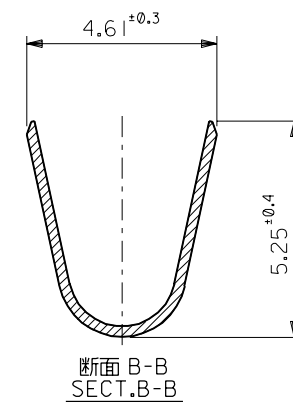
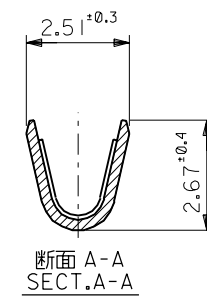
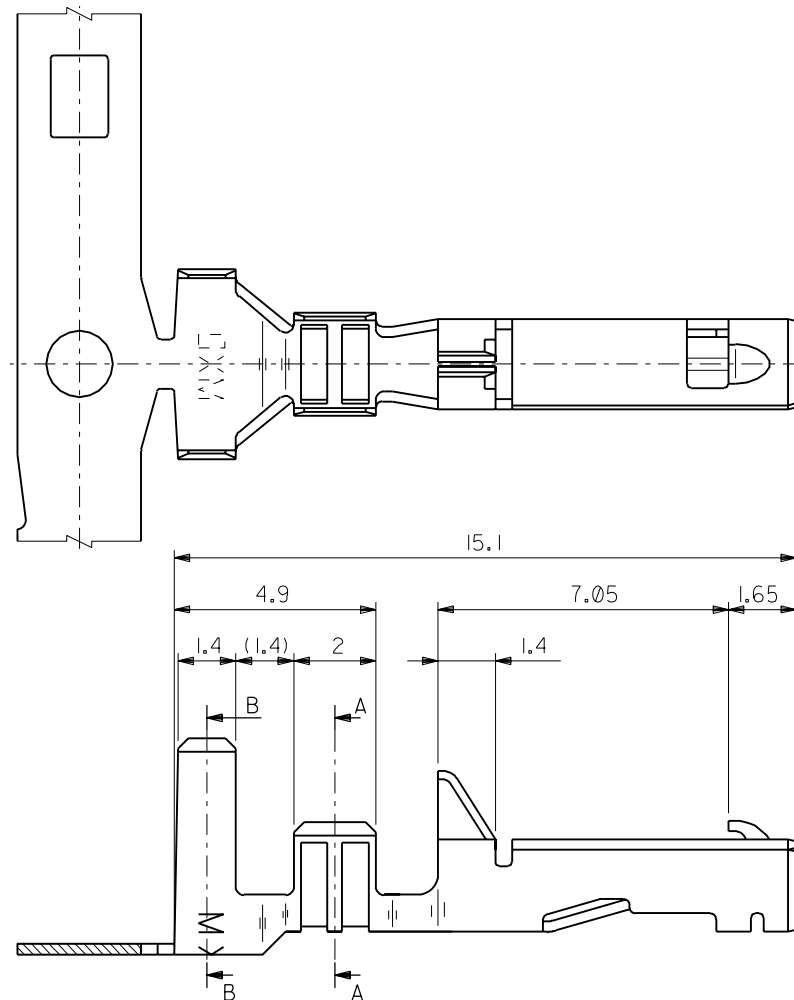
**Japan**

Description	Product #
Hand Crimper - UL1007	<u>0573475200</u>
Hand Crimper - UL1015	<u>0573475300</u>
Hand Crimper	<u>0573475400</u>
Extraction Tool	<u>0573476000</u>

This document was generated on 04/15/2010

**PLEASE CHECK [WWW.MOLEX.COM](http://WWW.MOLEX.COM) FOR LATEST PART INFORMATION**

DWG. NO.  
SD-50597-8\*00



50597-8100	バラ状 LOOSE
50597-8000	連鎖状 CHAIN
ENG. NO.	端子形状 FORM

注記  
NOTES

- 適合ハウジング : 51138 , 51142 シリーズ  
APPLICABLE HOUSING : 51138 , 51142 SERIES
  - 材料 : 銅合金, 錫メッキ (t=0.25)  
MATERIAL : COPPER ALLOY , TIN PLATED (t=0.25)
- △ リテーナー使用時 :  $\phi 2.5$ MAX.  
WHEN RETAINER USING :  $\phi 2.5$ MAX.

角度 ANGLE	±3°				材料 MATERIAL	注記参照 SEE NOTES
30 以上 OVER	+0.3				仕上げ FINISH	注記参照 SEE NOTES
10 以上 OVER 30 未満 UNDER	+0.25				適用電線範囲 WIRE RANGE	AWG #16-22
10 未満 UNDER	+0.2				被覆外径 INS. RANGE	$\Delta \phi 2.0-3.3$
一般公差 GENERAL TOLERANCES		記号 LTR	変更内容 REVISION RECORD	DR. CHK.	日付 DATE	尺度 SCALE
		0	新規作成 (Jc60392)	h.h	'95/12/15	8 : 1
				H.H	'95/12/15	
					DRAWN BY '95/12/15 H.HASEGAWA	CHK'D BY '95/12/15 Y.M H.HIRAMOTO
					APP'D BY '95/12/15 M.FUKUSHIMA	

molex MOLEX-JAPAN CO.,LTD. 日本モレックス株式会社	
REVISE ONLY ON CAD SYSTEM	
TITLE 名称 3.96 W/W & W/B CONN. CRIMP TERMINAL	
DWG. NO.	REV
SD-50597-8*00	0

THIS DRAWING CONTAINS INFORMATION THAT IS PROPRIETARY TO MOLEX(JAPAN) AND SHOULD NOT BE USED WITHOUT WRITTEN PERMISSION  
本図面は日本モレックス(株)の所有する情報を含むもので 当社の許可なく複製を禁止する。

EN-01C(032)MXJ-32

:MM DIMENSIONS IN METRIC DO NOT SCALE DRAWING

50597-S11