

**PLEASE CHECK WWW.MOLEX.COM FOR LATEST PART INFORMATION**

**Part Number:** [0358421307](#)  
**Status:** **Active**  
**Description:** PT Bulb Socket, Sealed, Double Housing Assembly, Type A, Brown

**Documents:**

[3D Model](#) [Product Specification PS-35842-001 \(PDF\)](#)  
[Drawing \(PDF\)](#) [RoHS Certificate of Compliance \(PDF\)](#)

**General**

Product Family	Other Sockets
Series	<a href="#">35842</a>
Comments	A-Type
Component Type	Socket
Product Name	Bulb Socket

**Physical**

Circuits (Loaded)	3
Circuits (maximum)	3
Color - Resin	Brown
Durability (mating cycles max)	30
Entry Angle	Vertical
Keying to Mating Part	None
Material - Metal	Phosphor Bronze
Material - Resin	Nylon
PCB Locator	No
PCB Retention	N/A
Packaging Type	Bag
Pitch - Mating Interface (in)	0.000 In
Pitch - Mating Interface (mm)	0.00 mm
Pitch - Term. Interface (in)	0.000 In
Pitch - Term. Interface (mm)	0.00 mm
Temperature Range - Operating	-40°C to +105°C
Termination Interface: Style	Through Hole

**Electrical**

Current - Maximum per Contact	5A, 7A
Voltage - Maximum	12V

**Material Info**

**Reference - Drawing Numbers**

Product Specification	PS-35842-001
Sales Drawing	SD-35842-001

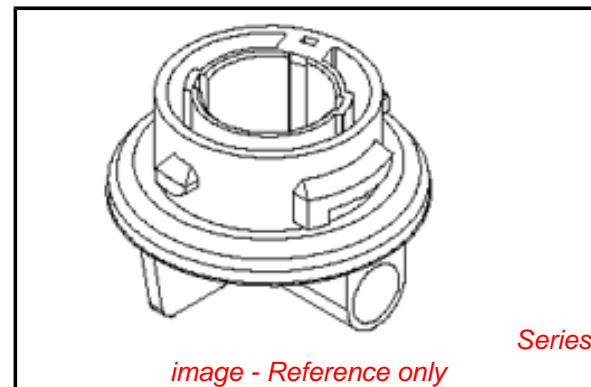


image - Reference only

**EU RoHS**

**ELV and RoHS  
Compliant**  
**REACH SVHC**  
 Not Reviewed  
**Halogen-Free  
Status**

**China RoHS**



**Need more information on product  
environmental compliance?**

Email [productcompliance@molex.com](mailto:productcompliance@molex.com)  
 For a multiple part number RoHS Certificate of  
 Compliance, [click here](#)

Please visit the [Contact Us](#) section for any  
 non-product compliance questions.

**Search Parts in this Series**

[35842Series](#)

**Mates With**

Lamp

**Use With**

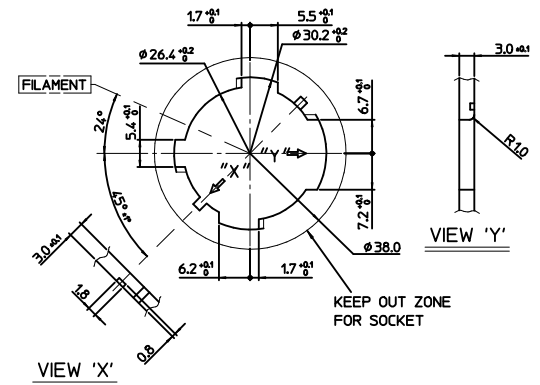
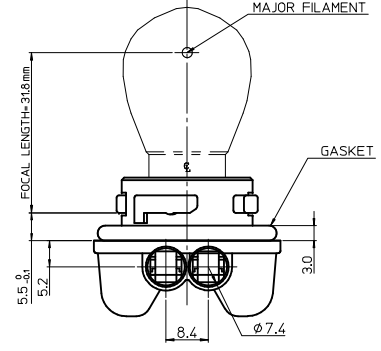
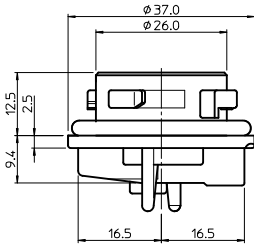
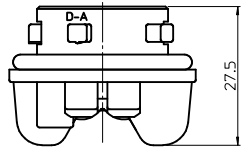
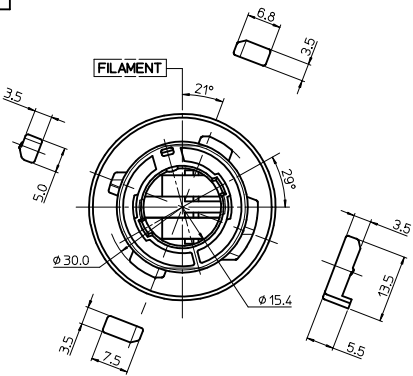
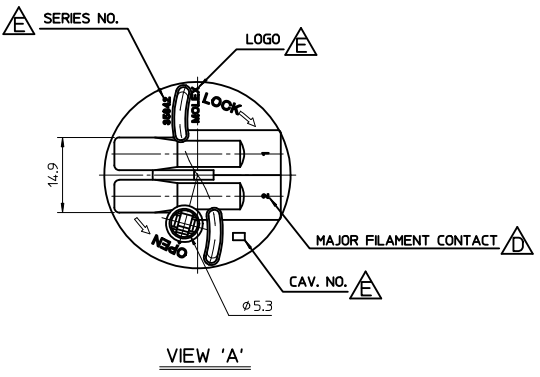
[35464](#) Positive Terminal for PT Bulb Socket,  
[35465](#) Earth Terminal for PT Bulb Socket

- NOTES  
 1. FOCAL LENGTH =31.8mm  
 2. PRODUCT SPECIFICATION: PS-35842-001  
 3. APPLICABLE BULB CAP: P21/5WBAY15d  
 4. MATES WITH

NO.	DESCRIPTION	MATERIAL	ORDER NO.	REMARK
③	POSITIVE TERMINAL	PHOSPHOR BRONZE	35464-8000	UNPLATED
④	POSITIVE WIRE SEAL	SILICONE	35903-0096	BROWN
⑤	EARTH TERMINAL	PHOSPHOR BRONZE	35465-8000	UNPLATED
⑥	EARTH WIRE SEAL	SILICONE	35903-0106	BLUE

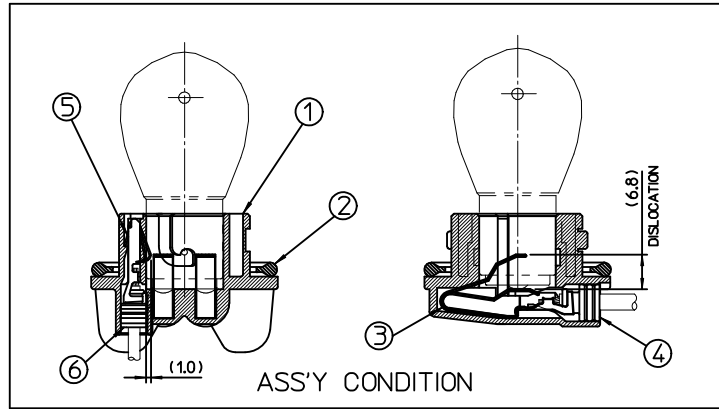
<PART LIST>

NO.	DESCRIPTION	MATERIAL	USAGE	REMARK
①	DOUBLE SOCKET	PA66 M/F	1	A TYPE
②	SEAL GASKET	NBR	1	BLACK



<TABLE 1>

MATERIAL NO.	ORDER NO.	COLOR
358421301	35842-1301	BLACK
358421305	35842-1305	GRAY
358421306	35842-1306	WHITE
358421307	35842-1307	BROWN



REVISED	EC NO.	DRWNER	CHKD	APPR	DESCRIPTION	QUALITY SYMBOLS		GENERAL TOLERANCES (UNLESS SPECIFIED)	
						mm	INCH		
	KOR2010-0146					▽=0	▽=0	4 PLACES	± --- ± ---
	2010/04/05	DRWNER						3 PLACES	± --- ± ---
	2010/04/05	CHKD	WYANG					2 PLACES	± 0.15 ± ---
	2010/04/06	APPR	YUNSIKIM					1 PLACE	± 0.25 ± ---
								ANGULAR ± 2 °	
								DRAFT WHERE APPLICABLE MUST REMAIN WITHIN DIMENSIONS	

DIMENSION STYLE		SCALE	DESIGN UNITS	THIRD ANGLE PROJECTION	
MM ONLY		1:1	METRIC		
DRAWN BY	DATE	TITLE			
YSIKKIM	1999/05/13	SEALED PT BULB SOCKET DOUBLE HOUSING ASS'Y (A-TYPE)			
CHECKED BY	DATE	MOLEX INCORPORATED			
BKCHOI	1999/05/14				
APPROVED BY	DATE	MATERIAL NO.		DOCUMENT NO.	
CWLEE	1999/05/14	SEE TABLE 1		SD-35842-001	
SIZE		SHEET NO.			
A3		1 OF 1			
THIS DRAWING CONTAINS INFORMATION THAT IS PROPRIETARY TO MOLEX INCORPORATED AND SHOULD NOT BE USED WITHOUT WRITTEN PERMISSION					