

PLEASE CHECK WWW.MOLEX.COM FOR LATEST PART INFORMATION

Part Number: [0358421306](#)
Status: **Active**
Description: PT Bulb Socket, Sealed, Double Housing Assembly, Type A, White

Documents:

[3D Model](#) [Product Specification PS-35842-001 \(PDF\)](#)
[Drawing \(PDF\)](#) [RoHS Certificate of Compliance \(PDF\)](#)

General

Product Family	Other Sockets
Series	35842
Comments	A-Type
Component Type	Socket
Product Name	Bulb Socket

Physical

Circuits (Loaded)	3
Circuits (maximum)	3
Color - Resin	White
Durability (mating cycles max)	30
Entry Angle	Vertical
Keying to Mating Part	None
Material - Metal	Phosphor Bronze
Material - Resin	Nylon
PCB Locator	No
PCB Retention	N/A
Packaging Type	Bag
Pitch - Mating Interface (in)	0.000 In
Pitch - Mating Interface (mm)	0.00 mm
Pitch - Term. Interface (in)	0.000 In
Pitch - Term. Interface (mm)	0.00 mm
Temperature Range - Operating	-40°C to +105°C
Termination Interface: Style	Through Hole

Electrical

Current - Maximum per Contact	5A, 7A
Voltage - Maximum	12V

Material Info

Reference - Drawing Numbers

Product Specification	PS-35842-001
Sales Drawing	SD-35842-001

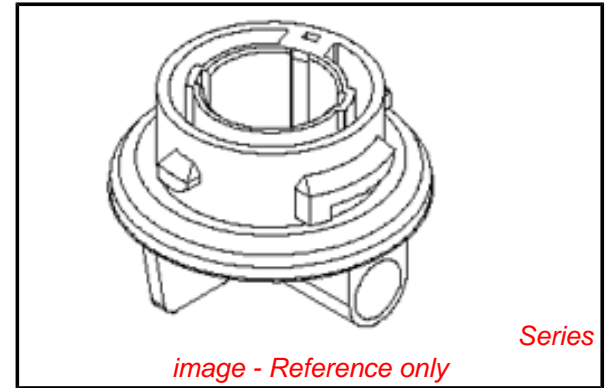


image - Reference only

EU RoHS

**ELV and RoHS
Compliant**
REACH SVHC
Not Reviewed
**Halogen-Free
Status**

China RoHS



**Need more information on product
environmental compliance?**

Email productcompliance@molex.com
For a multiple part number RoHS Certificate of Compliance, [click here](#)

Please visit the [Contact Us](#) section for any non-product compliance questions.

Search Parts in this Series

[35842Series](#)

Mates With

Lamp

Use With

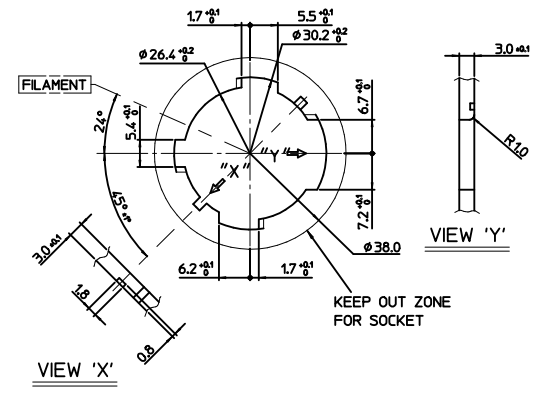
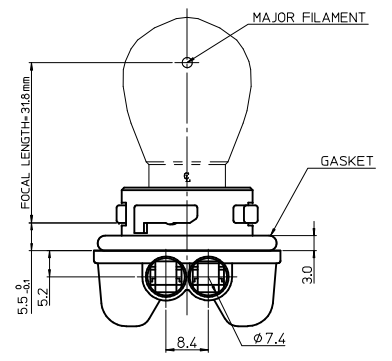
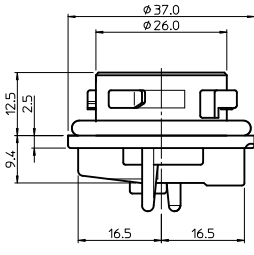
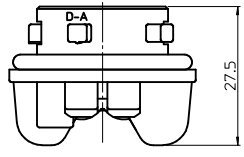
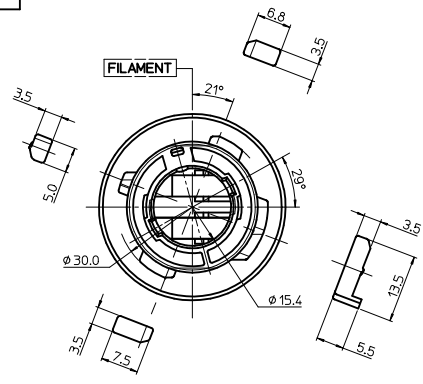
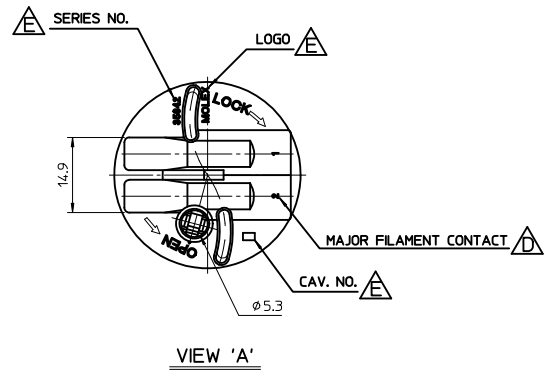
[35464](#) Positive Terminal for PT Bulb Socket,
[35465](#) Earth Terminal for PT Bulb Socket

- NOTES
 1. FOCAL LENGTH =31.8mm
 2. PRODUCT SPECIFICATION: PS-35842-001
 3. APPLICABLE BULB CAP: P21/5WBAY15d
 4. MATES WITH

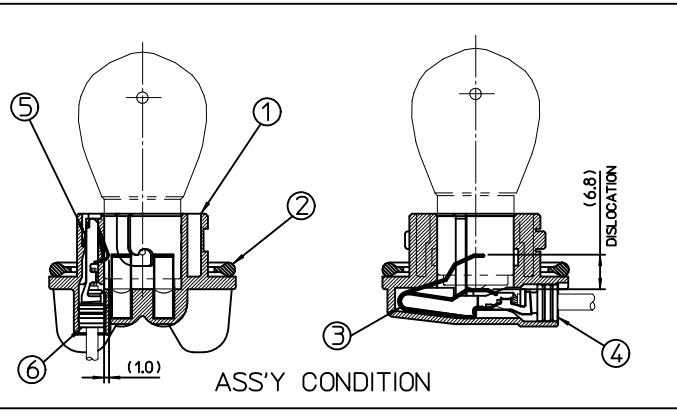
NO.	DESCRIPTION	MATERIAL	ORDER NO.	REMARK
③	POSITIVE TERMINAL	PHOSPHOR BRONZE	35464-8000	UNPLATED
④	POSITIVE WIRE SEAL	SILICONE	35903-0096	BROWN
⑤	EARTH TERMINAL	PHOSPHOR BRONZE	35465-8000	UNPLATED
⑥	EARTH WIRE SEAL	SILICONE	35903-0106	BLUE

<PART LIST>

NO.	DESCRIPTION	MATERIAL	USAGE	REMARK
①	DOUBLE SOCKET	PA66 M/F	1	A TYPE
②	SEAL GASKET	NBR	1	BLACK



MOUNTING INTERFACE (MI-4)



<TABLE 1>

MATERIAL NO.	ORDER NO.	COLOR
358421301	35842-1301	BLACK
358421305	35842-1305	GRAY
358421306	35842-1306	WHITE
358421307	35842-1307	BROWN

REVISED	EC NO: KOR2010-0146	DRW: KEOKIM	2010/04/05	CHKD: WYANG	2010/04/05	APPR: YUNSIKIM	2010/04/06	DESCRIPTION	QUALITY SYMBOLS		GENERAL TOLERANCES (UNLESS SPECIFIED)	
									mm	INCH	mm	INCH
▽	0	4 PLACES	± ---	± ---								
□	0	3 PLACES	± ---	± ---								
		2 PLACES	± 0.15	± ---								
		1 PLACE	± 0.25	± ---								
			ANGULAR ± 2 °									
			DRAFT WHERE APPLICABLE MUST REMAIN WITHIN DIMENSIONS									

DIMENSION STYLE		SCALE	DESIGN UNITS	THIRD ANGLE PROJECTION	
MM ONLY		1:1	METRIC	⊙ □	
DRAWN BY	DATE	TITLE			
YSIKKIM	1999/05/13	SEALED PT BULB SOCKET DOUBLE HOUSING ASS'Y (A-TYPE)			
CHECKED BY	DATE	MOLEX INCORPORATED			
BKCHOI	1999/05/14	DOCUMENT NO. SD-35842-001			
APPROVED BY	DATE	SHEET NO. 1 OF 1			
CWLEE	1999/05/14	THIS DRAWING CONTAINS INFORMATION THAT IS PROPRIETARY TO MOLEX INCORPORATED AND SHOULD NOT BE USED WITHOUT WRITTEN PERMISSION			