

**PLEASE CHECK WWW.MOLEX.COM FOR LATEST PART INFORMATION**

**Part Number:** [0354269702](#)  
**Status:** **Active**  
**Description:** Crimp Terminal 35426, 0.85mm<sup>2</sup> AVSS

**Documents:**

<a href="#">Drawing (PDF)</a>	<a href="#">Product Specification PS-35292-001 (PDF)</a>
<a href="#">Product Specification PS-35288-001 (PDF)</a>	<a href="#">RoHS Certificate of Compliance (PDF)</a>

**General**

Product Family	Crimp Terminals
Series	<a href="#">35426</a>
Crimp Quality Equipment	Yes
Product Name	N/A

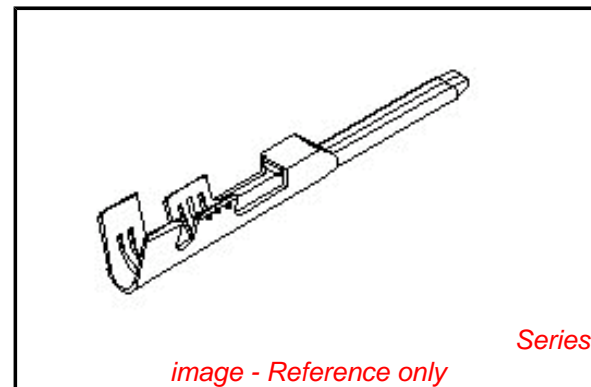
**Physical**

Gender	Male
Material - Metal	Brass
Material - Plating Mating	Tin
Material - Plating Termination	Tin
Packaging Type	Reel
Plating min: Mating (µin)	32.00
Plating min: Mating (µm)	0.800
Plating min: Termination (µin)	32.00
Plating min: Termination (µm)	0.80
Termination Interface: Style	Crimp or Compression
Wire Insulation Diameter	1.50mm (.059")
Wire Size AWG	18
Wire Size mm <sup>2</sup>	N/A

**Material Info**

**Reference - Drawing Numbers**

Product Specification	PS-35288-001, PS-35292-001
Sales Drawing	SD-35426-9702



**EU RoHS**

**ELV and RoHS  
Compliant**  
**REACH SVHC  
Contains SVHC: No**  
**Halogen-Free  
Status**

**China RoHS**



**Need more information on product  
environmental compliance?**

Email [productcompliance@molex.com](mailto:productcompliance@molex.com)  
 For a multiple part number RoHS Certificate of  
 Compliance, [click here](#)

Please visit the [Contact Us](#) section for any  
 non-product compliance questions.

**Search Parts in this Series**  
[35426Series](#)

**Use With**  
[35380](#) , [35376](#)

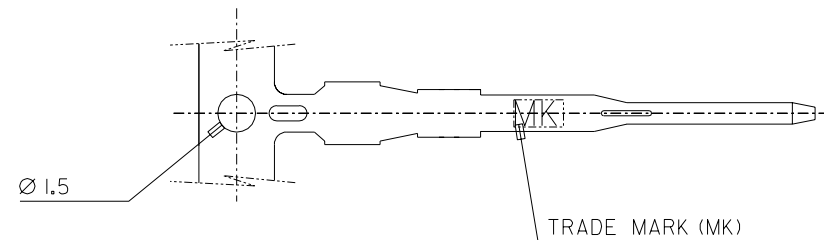
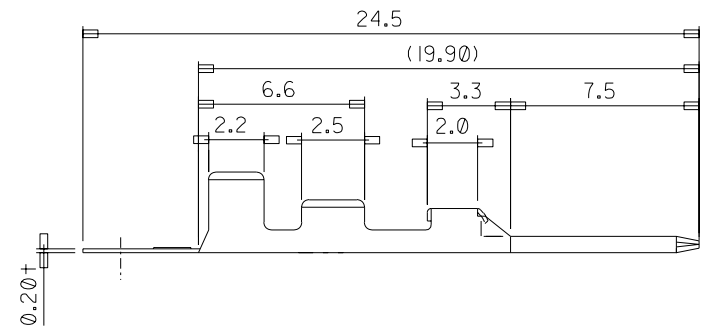
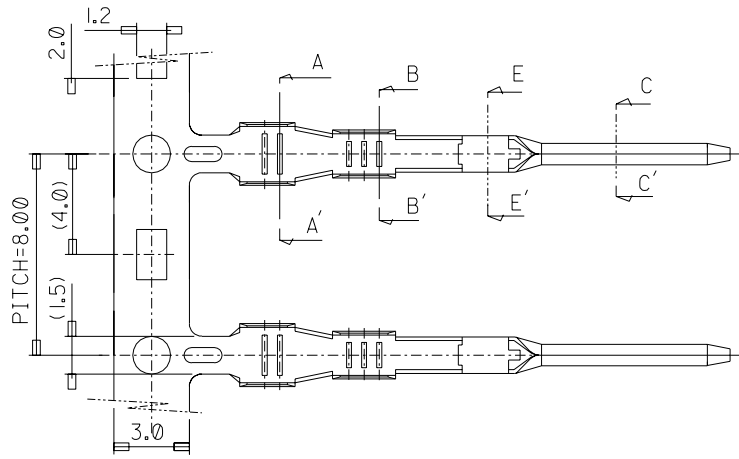
ENG. NO. SD35426-9\*02

EDP NO.

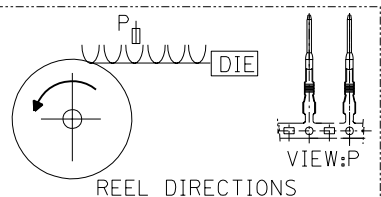
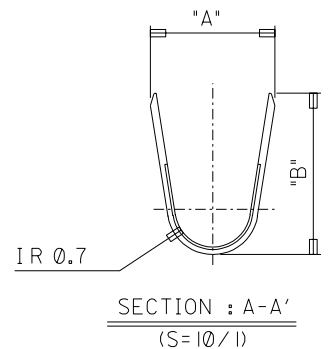
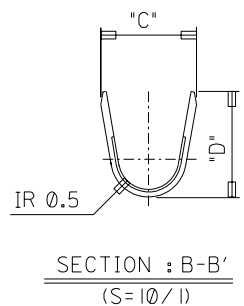
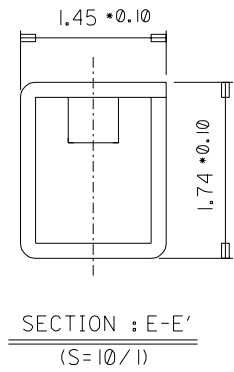
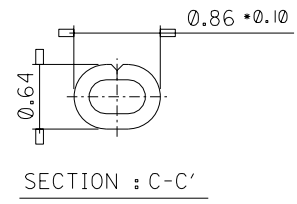
SIMILAR ITEM

PROJECT NO.

8 7 6 5 4 3 2 1



- NOTES
1. MATERIAL: BRASS(C2600R), T=0.20
  2. FINISH: PRE-TIN PLATE
  3. RECOMMENDED LENGTH OF WIRE STRIP: 3.5-4.0
  4. APPLICATION OF WIRE:
    - CAVS, CAVUS: 0.3-0.5sq (ø/1.1-1.7)
    - CAVUS: 0.85 sq (ø/1.5-1.6)



ENG NO.	A	B	C	D	WIRE SIZE
35426-9702	2.5	3.23	1.95	2.47	0.85sq.
35426-9602	2.5	3.23	1.95	2.15	0.3-05sq.

			MATERIAL		SEE NOTES		molex MOLEX-KOREA CO.,LTD.	
			GENERAL TOLERANCE		DIMENSION : 0.20		DRAWN BY CHOI	
			ANGLE :				CHK'D BY B.K.CHOI	
B	REVISED		97.12.11	DIMENSION CLASSIFICATION		APP'D BY		SCALE
A	NEW RELEASED		97.11.28	▽ : CRITICAL ▼ : MAJOR				5/1(10/1,20/1)
LTR REVISION RECORD			ECN	DATE	ASS'Y PART		TITLE:	
					DESCRIPTION ENG. NO.		DUOMATE MALE TER'L	
					REVISE ONLY ON CAD SYSTEM		SHEET	
							1/1	
							ENG. NO. SD35426-9*02	
							REV B	

F  
E  
D  
C  
B  
S35426