

PLEASE CHECK WWW.MOLEX.COM FOR LATEST PART INFORMATION

Part Number: [0352780511](#)
Status: **Active**
Description: 6.35mm (.250") Tab Width, Powermate Relay Housing, Female, Gray and Natural (Off White), 5 Circuits

Documents:

[Drawing \(PDF\)](#) [RoHS Certificate of Compliance \(PDF\)](#)
[Product Specification PS-35270-001 \(PDF\)](#)

General

Product Family	Crimp Housings
Series	35278
Comments	Pre-Loaded Terminal Position Assurance (TPA™)
Product Name	N/A

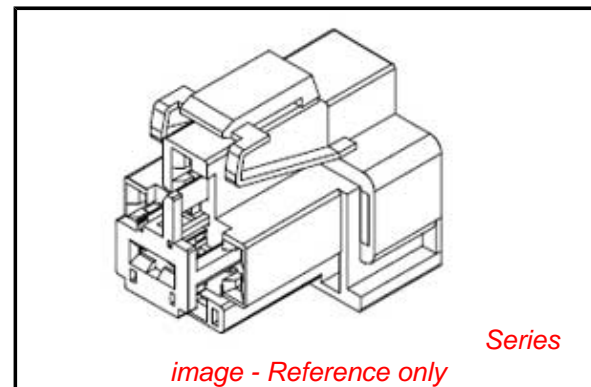
Physical

Circuits (maximum)	5
Color - Resin	Black, Natural
Gender	Female
Glow-Wire Compliant	No
Lock to Mating Part	Yes
Material - Resin	Polyester
Number of Rows	3
Packaging Type	Bag
Panel Mount	Yes
Pitch - Mating Interface (in)	0.661 In, 0.705 In
Pitch - Mating Interface (mm)	16.80 mm, 17.90 mm
Polarized to Mating Part	Yes
Stackable	No
Temperature Range - Operating	-40°C to +80°C

Material Info

Reference - Drawing Numbers

Product Specification	PS-35270-001
Sales Drawing	SD-35278-051*



EU RoHS

ELV and RoHS Compliant
REACH SVHC
 Not Reviewed
Halogen-Free Status

China RoHS



Need more information on product environmental compliance?

Email productcompliance@molex.com
 For a multiple part number RoHS Certificate of Compliance, [click here](#)

Please visit the [Contact Us](#) section for any non-product compliance questions.

Search Parts in this Series

[35278Series](#)

Mates With

[35272 Housing](#)

Use With

[35427](#) , [35430](#) Terminals

PLEASE CHECK WWW.MOLEX.COM FOR LATEST PART INFORMATION

PROJECT NO.

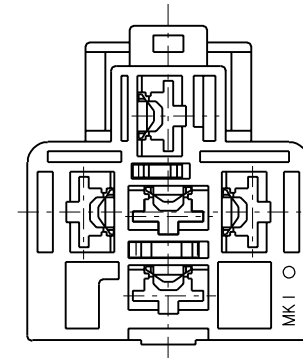
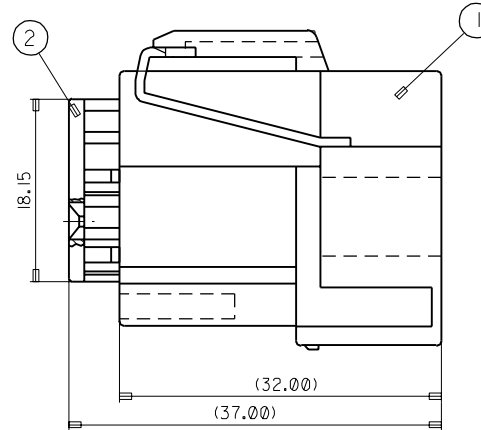
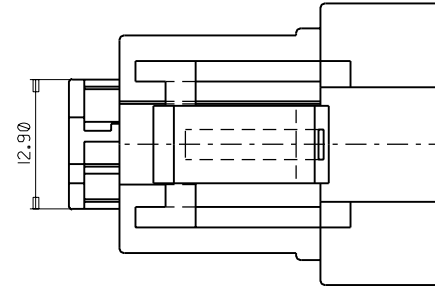
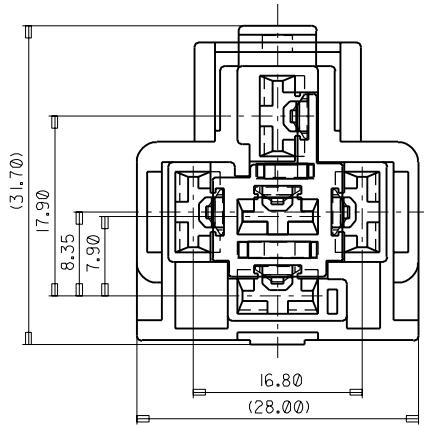
SIMILAR ITEM

EDP NO.

ENG. NO

SD 35278-0511

8 7 6 5 4 3 2 1



	P/NO.	PART NAME	MATERIAL
①	35278-0591	POWERMATE FEMALE HSG 5P (for relay)	PBT
②	35279-0580	POWERMATE FEMALE TPA 5P (for relay)	PBT

* APPLICABLE TERMINAL : 35427-97**,98**,99**
35430-1700,1800,1900

			MATERIAL SEE TABLE		molex MOLEX-KOREA CO.,LTD.	
			GENERAL TOLERANCE DIMENSION : *0.30		DRAWN BY J.K.OH	
			ANGLE :		CHK'D BY	
			DIMENSION CLASSIFICATION		APP'D BY	
			▽ : CRITICAL ▼ : MAJOR		SCALE 2:1	
			() : REFERENCE		TITLE :	
A NEW RELEASE			971117		POWERMATE RLY FEMALE ASSY 5P	
LTR REVISION RECORD			ECN DATE		SHEET 1/1	
REVISE ONLY ON CAD SYSTEM			DESCRIPTION ENG. NO.		ENG. NO. SD 35278-051*	
					REV A	