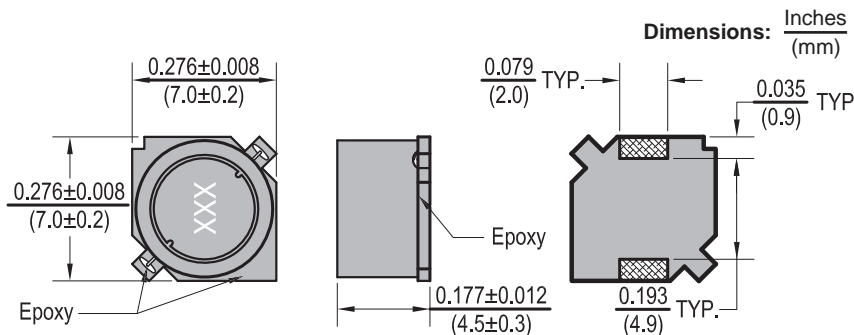


PCSLF0745 Power Chip Shielded Inductors



Features

- Shielded SMD Power Inductor
- Suitable for high current applications
- Low profile
- Low Power loss and High current

Electrical

Inductance Range: 3.3 μ H to 1000 μ H

Tolerance: 20% over entire range

Operating Temp: -40°C ~ +85°C

IDC: Current at which inductance drops by 10% of initial value

Resistance to Soldering Heat

Pre-Heat 150°C, 1 minute.

Solder Composition: Sn/Ag3.0/Cu0.5

Solder Temp: 260°C \pm 5°C for 10 sec. \pm 1 sec.

Test Equipment

(L): HP 4192A

(RDC): Chen Hwa 502BC

(IDC): HP4284A + HP42841A /
Chen Hwa 1061+301A

Physical

Packaging: 1000 pieces per 13 inch reel.

Marking: EIA Inductance Code

Allied Part Number	Inductance (μ H)	Tolerance (%)	Test Freq. KHz, 0.5v	RDC (Ω) \pm 20%	IDC (A)	Itemp (A) Max.
PCSLF0745-3R3M-RC	3.3	20	1	0.02	2.5	2.3
PCSLF0745-4R7M-RC	4.7	20	1	0.03	2.0	2.1
PCSLF0745-6R8M-RC	6.8	20	1	.039	1.7	1.74
PCSLF0745-100M-RC	10	20	1	.036	1.3	1.78
PCSLF0745-150M-RC	15	20	1	.052	1.1	1.53
PCSLF0745-220M-RC	22	20	1	.061	0.9	1.34
PCSLF0745-330M-RC	33	20	1	.096	.82	1.09
PCSLF0745-470M-RC	47	20	1	.125	.75	.92
PCSLF0745-680M-RC	68	20	1	.175	.60	.77
PCSLF0745-101M-RC	100	20	1	0.25	.50	.65
PCSLF0745-151M-RC	150	20	1	0.34	.0	.55
PCSLF0745-221M-RC	220	20	1	0.52	.33	.45
PCSLF0745-331M-RC	330	20	1	0.74	.25	.37
PCSLF0745-471M-RC	470	20	1	1.05	.22	.31
PCSLF0745-681M-RC	680	20	1	1.48	.20	.27
PCSLF0745-102M-RC	1000	20	1	2.28	.14	.25

All specifications subject to change without notice.