



Approved by:
Checked by:
Issued by:

SPECIFICATION

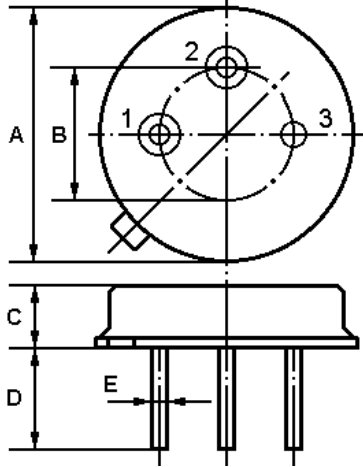
PRODUCT: SAW FILTER

MODEL: HF433E TO-39

HOPE MICROELECTRONICS CO.,LIMITED

The **HF433E** is a low-loss, compact, and economical surface-acoustic-wave (**SAW**) filter in a low-profile metal **TO-39** case designed to provide front-end selectivity in **433.920** MHz receivers. Receiver designs using this filter include superhet with 10.7 MHz or 500 kHz IF, direct conversion and superregen.

1.Package Dimension (TO-39)



Pin	Configuration
1	Input / Output
2	Output / Input
3	Case Ground

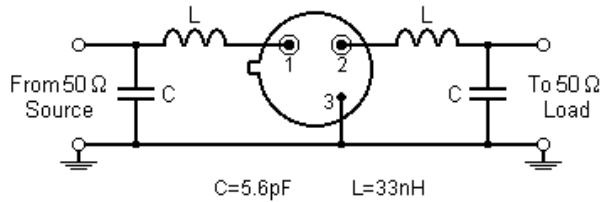
Dimension	Data (unit: mm)
A	9.30±0.20
B	5.08±0.10
C	3.40±0.20
D	3±0.20 / 5±0.20
E	0.45±0.20

2.Marking

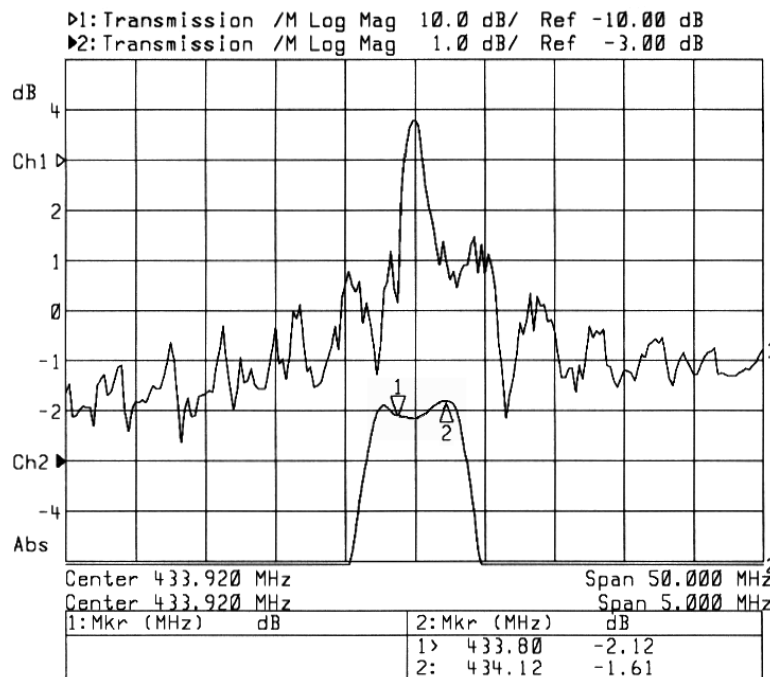
HF433E

Color: Black or Blue

3.Test Circuit



4.Typical Frequency Response



5.Performance

5-1.Maximum Ratings

Rating		Value	Unit
Input Power Level	P_{in}	10	dBm
DC Voltage	V_{DC}	0	V
Storage Temperature Range	T_{stg}	-45 to +120	
Operating Temperature Range	T_A	-45 to +120	

5-2.Electronic Characteristics

Reference temperature: $T_A = -45 \dots +95 \text{ }^\circ\text{C}$

Characteristic		Minimum	Typical	Maximum	Units
Center Frequency (center frequency between 3dB points)	f_C		433.920		MHz
Insertion Loss 433.80 434.12 MHz	IL	--	2.0	4.0	dB
3dB Pass bandwidth (relative to IL)	BW_3	670	730	790	kHz
Pass band (relative to IL) 433.76 434.08 MHz 433.74 434.10 MHz 433.68 434.16 MHz		-- -- --	1.0 1.0 1.5	2.0 3.0 6.0	dB dB dB
Relative attenuation (relative to IL) 10.00 414.00 MHz 414.00 428.00 MHz 428.00 432.84 MHz 434.92 442.00 MHz 442.00 550.00 MHz 550.00....1000.00 MHz		45 35 15 10 35 45	50 40 20 15 40 50	-- -- -- -- -- --	dB dB dB dB dB dB

ⓘ CAUTION: Electrostatic Sensitive Device. Observe precautions for handling!

C 2003. All Rights Reserved.

1. The frequency f_C is defined as the midpoint between the 3dB frequencies.
2. Unless noted otherwise, all measurements are made with the filter installed in the specified test fixture that is connected to a 50 test system with VSWR 1.2:1. The test fixture L and C are adjusted for minimum insertion loss at the filter center frequency, f_C . Note that insertion loss, bandwidth, and passband shape are dependent on the impedance matching component values and quality.
3. Unless noted otherwise, specifications apply over the entire specified operating temperature range.
4. The specifications of this device are based on the test circuit shown above and subject to change or obsolescence without notice.
5. All equipment designs utilizing this product must be approved by the appropriate government agency prior to manufacture or sale.
6. Our liability is only assumed for the Surface Acoustic Wave (SAW) component(s) per se, not for applications, processes and circuits implemented within components or assemblies.
7. For questions on technology, prices and delivery, please contact our sales offices or e-mail sales@hoperf.com.