



Approved by:

Checked by:

Issued by:

SPECIFICATION

PRODUCT: SAW FILTER

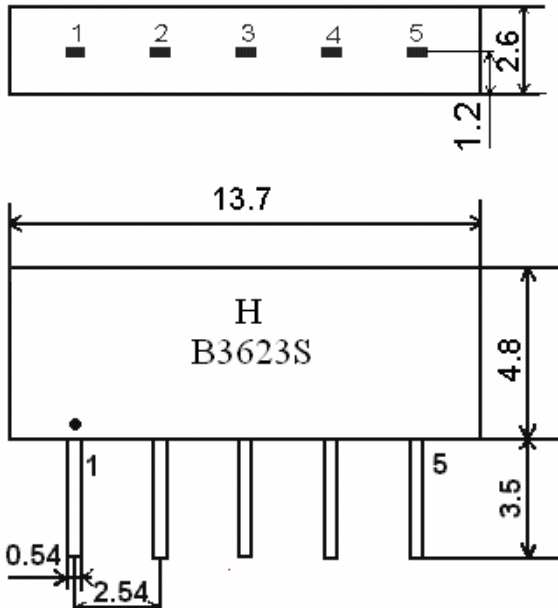
MODEL: HB3623S (X7255N) SIP5D

HOPE MICROELECTRONICS CO., LIMITED

1. Construction

1.1 Dimension and materials

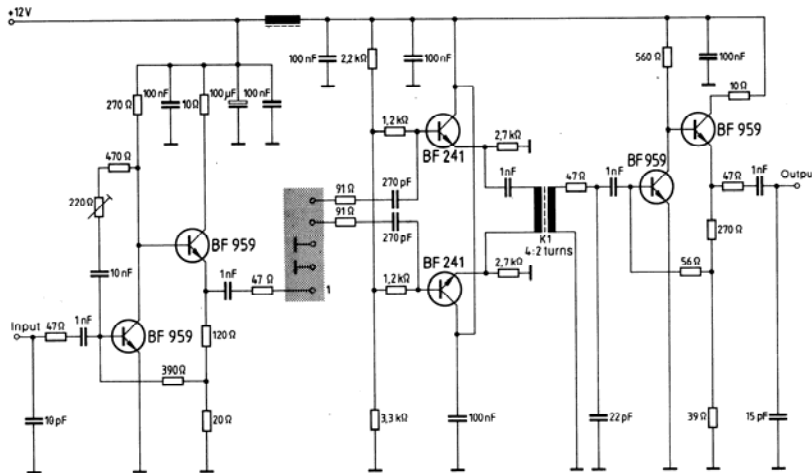
Type : B3623S



Unit : mm

- 1 Input
- 2 Switching Input
- 3 Chip carrier - ground
- 4 Output
- 5 Output

1.2. Circuit construction, measurement circuit



Test circuit for SIP-5 filter

Input impedance of the symmetrical post-amplifier: 2 kΩ in parallel with 3 pF

2.Characteristics

Standard atmospheric conditions

Unless otherwise specified , the standard range of atmospheric conditions for making measurements and tests is as follows;

- Ambient temperature : 15°C to 35°C
- Relative humidity : 25% to 85%
- Air pressure : 86kPa to 106kPa

Operating temperature rang

Operating temperature rang is the rang of ambient temperatures in which the filter can be operated continuously. $-10^{\circ}\text{C} \sim +60^{\circ}\text{C}$

Storage temperature rang

Storage temperature rang is the rang of ambient temperatures at which the filter can be stored without damage.
Conditions are as specified elsewhere in these specifications. $-40^{\circ}\text{C} \sim +70^{\circ}\text{C}$

Reference temperature $+25^{\circ}\text{C}$

2.1 Maximum Rating

DC voltage	VDC	12	V	Between any terminals
AC voltage	Vpp	10	V	Between any terminals

2.2 Characteristics of channel 1 (switching input pin 2 connected to ground)

Source impedance

$$Z_s=50\ \Omega$$

Load impedance

$$Z_L=2k\ \Omega //3pF$$

$$T_A=25^{\circ}\text{C}$$

Item	Freq	min	typ	max	
Center frequency	Fo	-	36.00	-	MHz
Insertion attenuation Reference level	36.00MHz	18.4	20.4	22.4	dB
Pass bandwidth	B1.5dB	-	7.1	-	MHz
	B3dB	-	7.4	-	MHz
	B15dB	-	8.4	-	MHz
	B30dB	-	8.8	-	MHz
Relative attenuation	30.75MHz	34.0	41.0	-	dB
	40.25MHz	12.0	18.0	-	dB
	40.75MHz	34.0	48.0	-	dB
	41.00MHz	30.0	44.0	-	dB
	41.25MHz	34.0	50.0	-	dB
Sidelobe	25.00~31.30MHz	31.0	36.0	-	dB
	40.70~45.00MHz	32.0	37.0	-	dB
Reflected wave signal suppression 1.2 us ... 6.0 us after main pulse (test pulse 250 ns , carrier frequency 36.00MHz)		40.0	48.0		dB
Group delay ripple (p-p) 32.40~39.60 MHz		-	50	-	ns
Temperature coefficient			-72		ppm/k

Characteristics of channel 2 (switching input pin 2 connected to pin 1)

Source impedance

$Z_S=50\ \Omega$

Load impedance

$Z_L=2k\ \Omega //3pF$

$T_A=25^\circ C$

Item	Freq	min	typ	max	
Center frequency	Fo	-	36.00	-	MHz
Insertion attenuation Reference level	36.00MHz	18.9	20.9	22.9	dB
Pass bandwidth	B1.5dB	-	6.2	-	MHz
	B3dB	-	6.4	-	MHz
	B15dB	-	7.4	-	MHz
	B30dB	-	7.8	-	MHz
Relative attenuation	31.42MHz	33.0	41.0	-	dB
	39.67MHz	10.0	15.0	-	dB
	39.92MHz	22.0	30.0	-	dB
Sideloobe	25.00~31.80MHz	32.0	40.0	-	dB
	40.20~45.00MHz	31.0	37.0	-	dB
Reflected wave signal suppression 1.2 us ... 6.0 us after main pulse (test pulse 250 ns , carrier frequency 36.00MHz)		40.0	48.0		dB
Group delay ripple (p-p) 32.90~39.10 MHz		-	50	-	ns
Temperature coefficient		-72			ppm/k

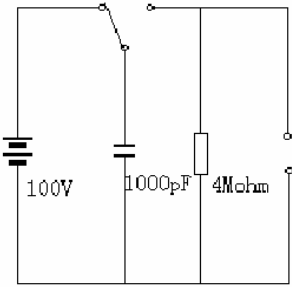
2.3 Environmental Performance Characteristics

Item Test condition	Allowable change of absolute Level at center frequency(dB)
High temperature test 70°C 1000H	< 1.0
Low temperature test -40°C 1000H	< 1.0
Humidity test 40°C 90-95% 1000H	< 1.0
Thermal shock -20°C==25°C==80°C 20 cycle 30M 10M 30M	< 1.0
Solder temperature test Sold temp.260°C for 10 sec.	< 1.0
Soldering Immerse the pins melt solder at 260°C+5/-0°C for 5 sec.	More then 95% of total area of the pins should be covered with solder

2.4 Mechanical Test

Item Test condition	Allowable change of absolute Level at center frequency(dB)
Vibration test 600-3300rpm amplitude 1.5mm 3 directions 2 H each	<1.0
Drop test On maple plate from 1 m high 3 times	<1.0
Lead pull test Pull with 1 kg force for 30 seconds	<1.0
Lead bend test 90° bending with 500g weigh 2 times	<1.0

2.5 Voltage Discharge Test

Item Test condition	Allowable change of absolute Level at center frequency(dB)
Surge test Between any two electrode 	<1.0