

PLEASE CHECK WWW.MOLEX.COM FOR LATEST PART INFORMATION

Part Number: [5014272000](#)
Status: **Active**
Description: 0.50mm (.020") Pitch Shielded Double I/O PCB Socket Right Angle, SMT, Reverse Mount, Lead-free

Documents:

[3D Model](#) [Product Specification PS-501427-001 \(PDF\)](#)
[Drawing \(PDF\)](#) [RoHS Certificate of Compliance \(PDF\)](#)

General

Product Family I/O Connectors
 Series [501427](#)
 Application Wire-to-Board
 Component Type Receptacle
 Product Name N/A
 Type N/A

Physical

Boot Color N/A
 Circuits (Loaded) 20
 Circuits (maximum) 20
 Color - Resin Black
 Gender Receptacle
 Lock to Mating Part Yes
 Material - Metal Brass, High Performance Alloy (HPA), Phosphor Bronze
 Material - Plating Mating Gold
 Material - Plating Termination Tin
 Material - Resin High Temperature Thermoplastic
 Number of Rows 2
 Orientation Right Angle
 PC Tail Length (in) 0.000 In
 PC Tail Length (mm) 0.00 mm
 PCB Locator No
 PCB Retention Yes
 PCB Thickness Recommended (in) 0.000 In
 PCB Thickness Recommended (mm) 0.00 mm
 Packaging Type Embossed Tape on Reel
 Panel Mount N/A
 Pitch - Mating Interface (in) 0.020 In
 Pitch - Mating Interface (mm) 0.50 mm
 Pitch - Term. Interface (in) 0.020 In
 Pitch - Term. Interface (mm) 0.50 mm
 Plating min: Mating (µin) 8
 Plating min: Mating (µm) 0.2
 Plating min: Termination (µin) 40, 60
 Plating min: Termination (µm) 1, 1.5
 Polarized to Mating Part Yes
 Polarized to PCB Yes
 Ports 1
 Surface Mount Compatible (SMC) Yes
 Temperature Range - Operating -30°C to +85°C
 Termination Interface: Style Surface Mount
 Waterproof / Dustproof No

Electrical

Current - Maximum per Contact 0.5A

EU RoHS

**ELV and RoHS
Compliant**

REACH SVHC

Not Reviewed

Halogen-Free

Status

Not Reviewed

China RoHS



**Need more information on product
environmental compliance?**

Email productcompliance@molex.com
 For a multiple part number RoHS Certificate of Compliance, [click here](#)

Please visit the [Contact Us](#) section for any non-product compliance questions.

Search Parts in this Series

[501427Series](#)

Mates With

[501500](#)

Shield Type
Shielded
Voltage - Maximum

Full Shield
Yes
30V AC (RMS)/DC

Material Info

Reference - Drawing Numbers

Product Specification
Sales Drawing

PS-501427-001, RPS-501427-001, RPS-501427-004
SD-501427-001, SD-501427-002

This document was generated on 04/19/2010

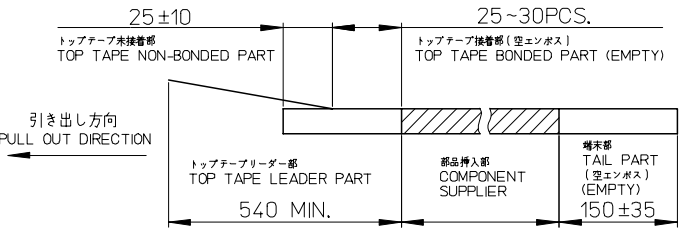
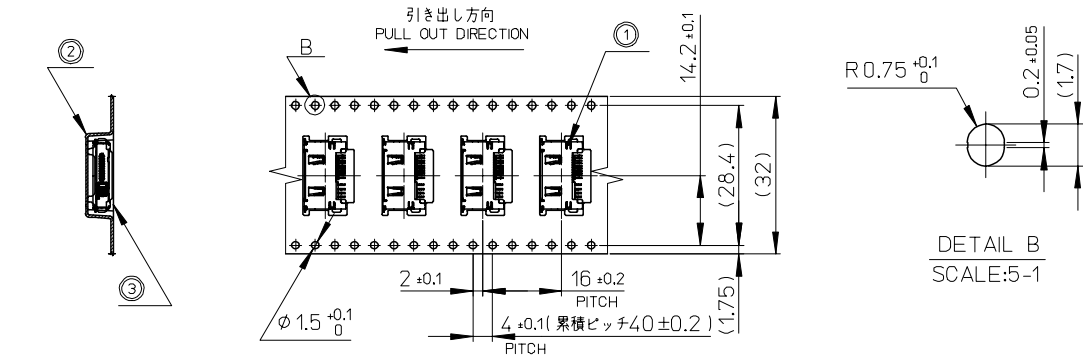
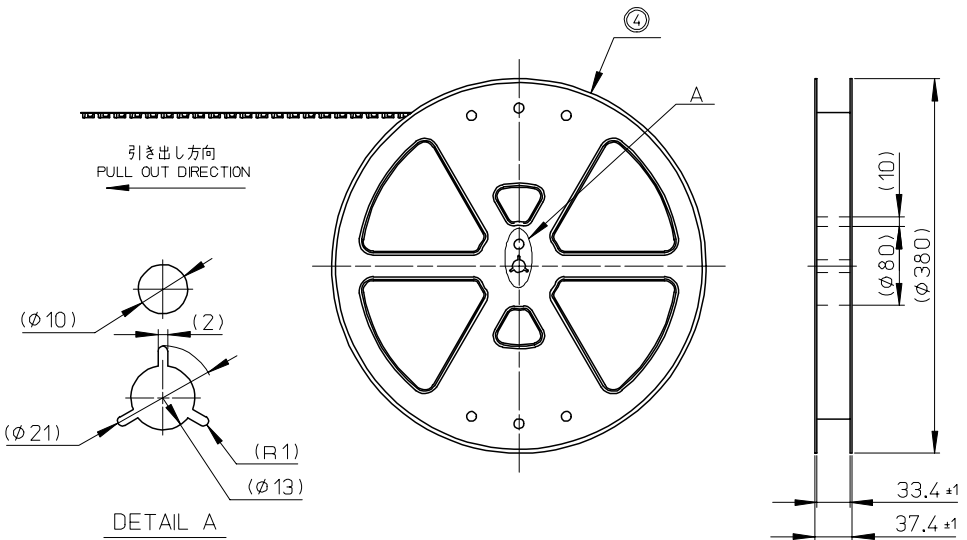
PLEASE CHECK WWW.MOLEX.COM FOR LATEST PART INFORMATION

10 9 8 7 6 5 4 3 2 1

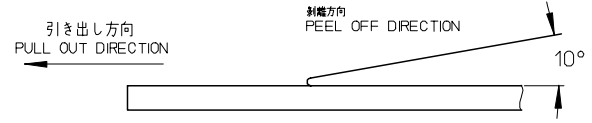
①	コネクタ CONNECTOR
②	エンボステープ EMBOSSSED TAPE
③	トップテープ TOP TAPE
④	リール REEL

NOTES

- コネクタ詳細は RSD-501427-004を参照下さい。
REFER TO RSD-501427-004
- 梱包数量: 1000個/リール
NUMBER OF CONNECTOR : 1000 PCS/REEL
- リードテープ長さ
LEAD TAPE LENGTH



- トップテープの剥離強度: $0.6 \pm 0.35N$ ($60 \pm 35gf$)
<剥離速度: 300mm/min (参考)> (剥離方向は下図参照下さい)
PEEL-OFF FORCE OF TOP TAPE : $0.6 \pm 0.35N$ ($60 \pm 35gf$)
(PEELING DIRECTION AS SHOWN IN FOLLOWING FIG.)
<PEEL-OFF SPEED : 300mm/min (REF.)>



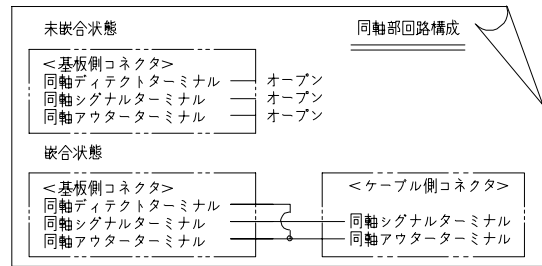
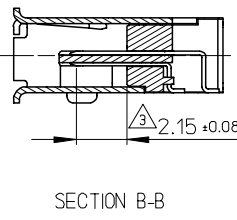
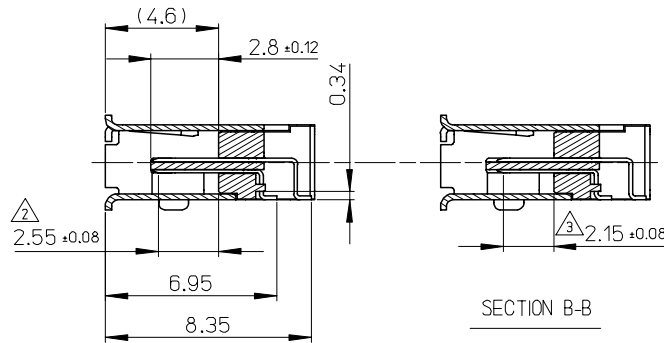
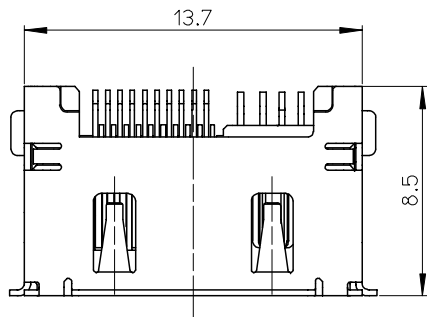
- 材料
MATERIAL
キャリアテープ: ポリプロピレン
CARRIER TAPE: PP
トップテープ: ポリエステル, ポリエチレン
TOP TAPE: PET, PE
リール: ポリスチレン
REEL: PS

エンボステープ内の製品の向き
DIRECTION OF PRODUCT
IN EMBOSSSED TAPE

501427-2000	501427-***0
製品番号 MATERIAL No.	MODEL No.

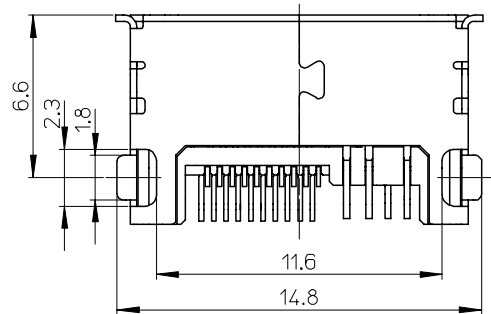
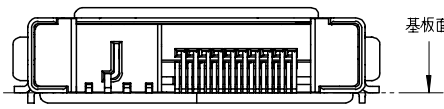
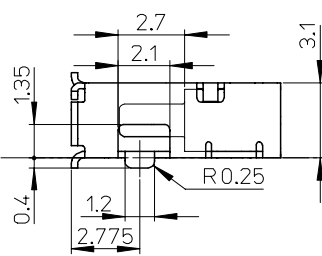
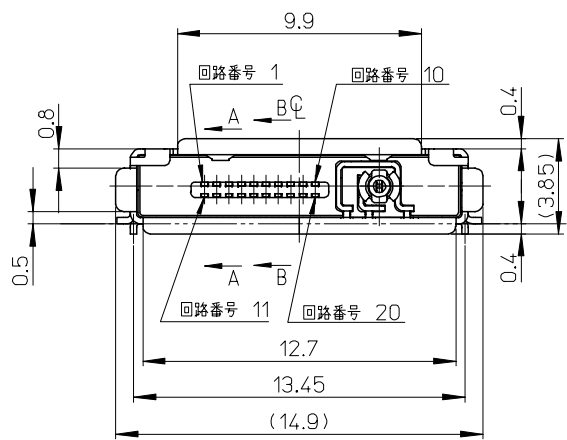
新編作成 EC No: J2005-2391 DRAWN: MSHINYAMA 2005/02/28 CHKD: HTAKASE 2005/02/28 APPR: JMIYAZAWA 2005/03/04 REV: 0	GENERAL TOLERANCES (UNLESS SPECIFIED)		DIMENSION STYLE MM ONLY		SCALE ---	DESIGN UNITS METRIC	THIRD ANGLE PROJECTION
	10 UNDER	± ---	DRAWN BY MSHINYAMA	DATE 04/10/28	TITLE EMBOSSSED TAPE PACKAGE FOR 501427-2009 -LEAD FREE-		
	10 OVER 30 UNDER	± ---	CHECKED BY HTAKASE	DATE 04/10/28	MOLEX INCORPORATED DOCUMENT NO. SD-501427-001 SHEET NO. 1 OF 1		
	30 OVER	± ---	APPROVED BY JMIYAZAWA	DATE 04/10/28			
ANGULAR ±1 °		DRAFT WHERE APPLICABLE MUST REMAIN WITHIN DIMENSIONS		SIZE A3		THIS DRAWING CONTAINS INFORMATION THAT IS PROPRIETARY TO MOLEX INCORPORATED AND SHOULD NOT BE USED WITHOUT WRITTEN PERMISSION	

10 9 8 7 6 5 4 3 2 1



SECTION A-A

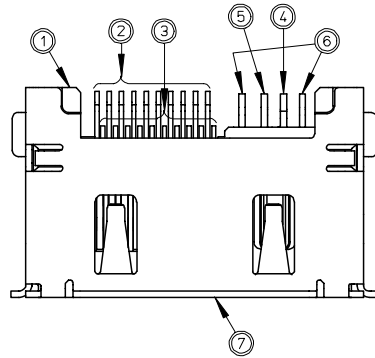
SECTION B-B



注記

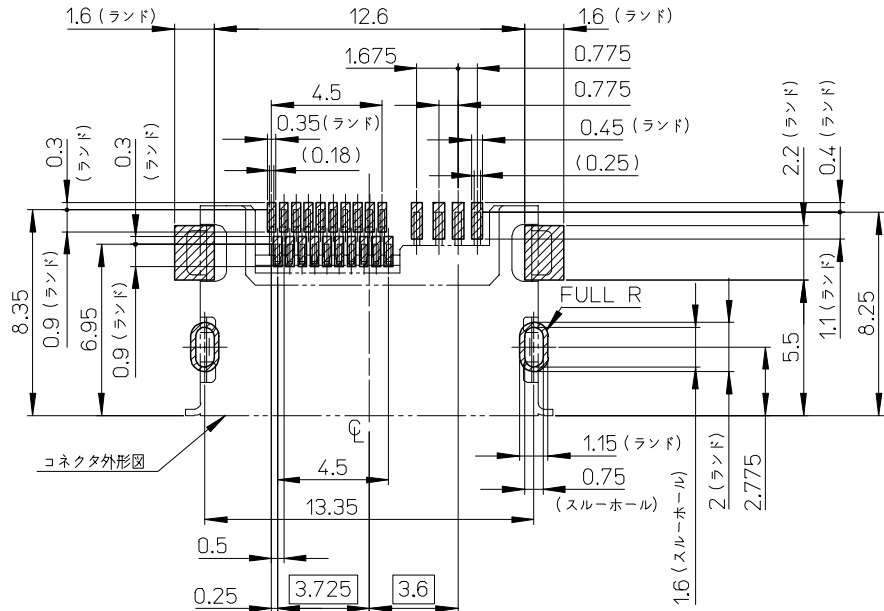
- 平坦度は0.1MAX.とする。
TAIL COPLANARITY TO BE 0.1MAX.
- 回路番号1,4,5,6,10,11,20に適用。
APPLIES TO CKT.NO.1,4,5,6,10,11,20
- 回路番号2,3,7,8,9,12~19に適用。
APPLIES TO CKT.NO.2,3,7,8,9,12~19

新編作成 EC No: J2005-2391 2005/02/28 DRWN: MSHINYAMA 2005/02/28 CHKD: HTAKASE 2005/03/04 APPR: JMIYAZAWA	GENERAL TOLERANCES (UNLESS SPECIFIED)		DIMENSION STYLE MM ONLY		SCALE 5:1	DESIGN UNITS METRIC	THIRD ANGLE PROJECTION	
	10 UNDER	±0.2	DRAWN BY MSHINYAMA	DATE 04/11/08	TITLE 0.5 W I/O CONN. REC. (REVERSE TYPE) ASSY -LEAD FREE-			
	10 OVER 30 UNDER	±0.25	CHECKED BY HTAKASE	DATE 04/11/08	MOLEX INCORPORATED			
	30 OVER	±0.3	APPROVED BY JMIYAZAWA	DATE 04/11/08				
	ANGULAR	±3 °	MATERIAL NO. 501427-2009		DOCUMENT NO. SD-501427-002		SHEET NO. 1 OF 2	
DRAFT WHERE APPLICABLE MUST REMAIN WITHIN DIMENSIONS		THIS DRAWING CONTAINS INFORMATION THAT IS PROPRIETARY TO MOLEX INCORPORATED AND SHOULD NOT BE USED WITHOUT WRITTEN PERMISSION						



部品構成
PARTS CONSTRUCTION

番号	部品	材質	処理
①	ハウジング HOUSING	ガラス入り耐熱樹脂 黒色、UL94V-0	—
②	ロングシグナルターミナル LONG SIGNAL TERMINAL	黄銅	接点部 : 金、パラジウムニッケルメッキ 半田付け部 : 錫メッキ 下地 : ニッケルメッキ
③	ショートシグナルターミナル SHORT SIGNAL TERMINAL	黄銅	接点部 : 金、パラジウムニッケルメッキ 半田付け部 : 錫メッキ 下地 : ニッケルメッキ
④	同軸シグナルターミナル COAXIAL SIGNAL TERMINAL	コルソン銅	接点部 : 金、パラジウムニッケルメッキ 半田付け部 : 錫メッキ 下地 : ニッケルメッキ
⑤	同軸ディテクトターミナル COAXIAL DETECT TERMINAL	りん青銅	接点部 : 金、パラジウムニッケルメッキ 半田付け部 : 錫メッキ 下地 : ニッケルメッキ
⑥	同軸アウトターミナル COAXIAL OUTER TERMINAL	りん青銅	接点部 : 金、パラジウムニッケルメッキ 半田付け部 : 錫メッキ 下地 : ニッケルメッキ
⑦	シールド SHIELD	ステンレス鋼	(錫メッキ) 下地 : ニッケルメッキ



参考基板寸法 (部品実装側)

一般公差 ±0.05

新編作成 EC NO: J2005-2391 DRAWN: MSHINYAMA 2005/02/28 CHKD: HTAKASE 2005/02/28 APPR: JMIYAZAWA 2005/03/04 REV: 0	GENERAL TOLERANCES (UNLESS SPECIFIED)		DIMENSION STYLE MM ONLY		SCALE 5:1	DESIGN UNITS METRIC	THIRD ANGLE PROJECTION
	10 UNDER	±0.2	DRAWN BY MSHINYAMA	DATE 04/11/08	TITLE 0.5 W I/O CONN. REC. (REVERSE TYPE) ASSY -LEAD FREE-		
	10 OVER 30 UNDER	±0.25	CHECKED BY HTAKASE	DATE 04/11/08	MOLEX INCORPORATED		
	30 OVER	±0.3	APPROVED BY JMIYAZAWA	DATE 04/11/08	DOCUMENT NO. SD-501427-002		
	ANGULAR	±3 °	MATERIAL NO. 501427-2009	SHEET NO. 2 OF 2		THIS DRAWING CONTAINS INFORMATION THAT IS PROPRIETARY TO MOLEX INCORPORATED AND SHOULD NOT BE USED WITHOUT WRITTEN PERMISSION	

10 9 8 7 6 5 4 3 2 1

F

E

D

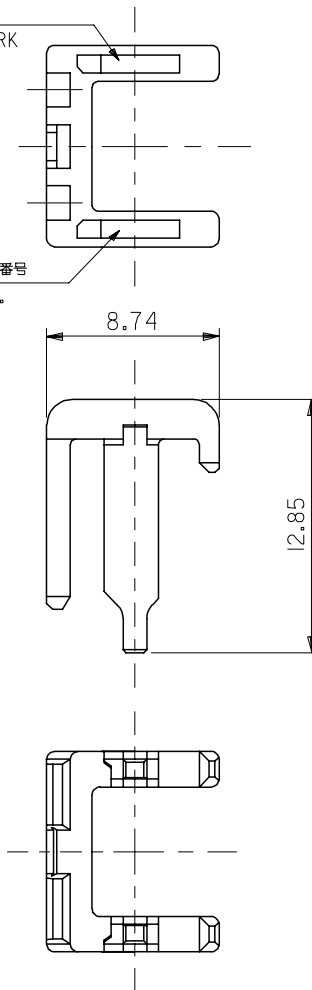
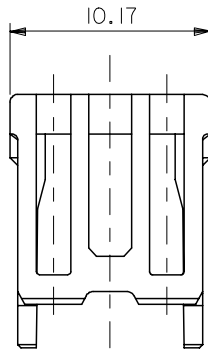
C

B

A

トレードマーク
TRADE MARK

キャビティ番号
CAV NO.



注記
NOTES

1. 適合ターミナル : 50597, 50598シリーズ
APPLICABLE TERMINAL : 50597, 50598 SERIES
2. 適合ハウジング : 51142-02**
APPLICABLE RETAINER : 51142-02**
3. 材料 MATERIAL
PBT, UL94V-0

BROWN	GRAY	COLOR
501454-0207	501454-0205	2
製品番号 MATERIAL NO.		極数 CKT.

RELEASED EC NO: J2005-2036 DRAWN BY CHYKD: APPR: S ICHIKAWA 2005/02/17 2005/02/21 2005/02/28	GENERAL TOLERANCES (UNLESS SPECIFIED)		DIMENSION STYLE MM ONLY		SCALE 4:1	DESIGN UNITS METRIC	THIRD ANGLE PROJECTION	
	10 UNDER	±0.2	DRAWN BY N. ITO	DATE '04/10/06	TITLE 6.5 W TO B CONN DUAL RETAINER			
	10 OVER 30 UNDER	±0.25	CHECKED BY ASAKAWA	DATE '04/10/06				
	30 OVER	±0.3	APPROVED BY ICHIKAWA	DATE '04/10/06	MOLEX INCORPORATED DOCUMENT NO. SD-501454-001 SHEET NO. 1 OF 1			
	ANGULAR	±3 °	MATERIAL NO. 501454-****	DATE				
DRAFT WHERE APPLICABLE MUST REMAIN WITHIN DIMENSIONS		SIZE A3		THIS DRAWING CONTAINS INFORMATION THAT IS PROPRIETARY TO MOLEX INCORPORATED AND SHOULD NOT BE USED WITHOUT WRITTEN PERMISSION				

9

8

7

6

5

4

3

2