

PLEASE CHECK WWW.MOLEX.COM FOR LATEST PART INFORMATION

Part Number: [5010130810](#)
Status: **Active**
Description: PowerCat™ 6 Modular Jack Adapter Assembly, Vertical, with Shutter, 8/8, for LAN Printing, with Cover

Documents:

[Drawing \(PDF\)](#) [RoHS Certificate of Compliance \(PDF\)](#)
[Product Specification PS-501013-002 \(PDF\)](#)

General

Product Family	Modular Jacks/Plugs
Series	501013
Component Type	Wire Jack
Magnetic	No
Performance Category	6
Power over Ethernet (PoE)	N/A
Product Name	Datagate™, PowerCat™

Physical

Color - Resin	White
Durability (mating cycles max)	200
Inverted / Top Latch	N/A
Keying to Mating Part	Yes
Lightpipes/LEDs	None
Material - Metal	Copper Alloy
Material - Plating Mating	Gold
Material - Plating Termination	Gold
Material - Resin	ABS, Polycarbonate
Orientation	Vertical (Top Entry)
PCB Retention	N/A
Packaging Type	Bag
Panel Mount	Yes
Ports	1
Positions / Loaded Contacts	8/8
Temperature Range - Operating	N/A
Termination Interface: Style	N/A
Waterproof / Dustproof	No
Wire/Cable Type	CAT 6

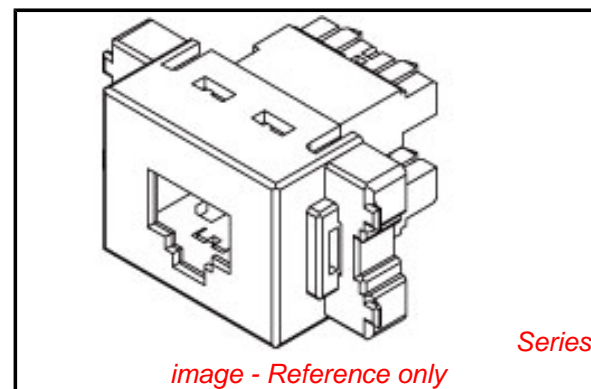
Electrical

Current - Maximum per Contact	1.2A
Shielded	Yes
Voltage - Maximum	1000V

Material Info

Reference - Drawing Numbers

Product Specification	PS-501013-002
Sales Drawing	SD-501013-002



EU RoHS

Not RoHS Compliant
REACH SVHC
Not Reviewed
Halogen-Free
Status
Not Reviewed

China RoHS

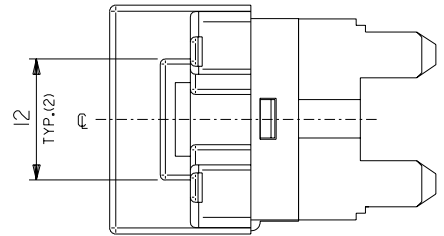
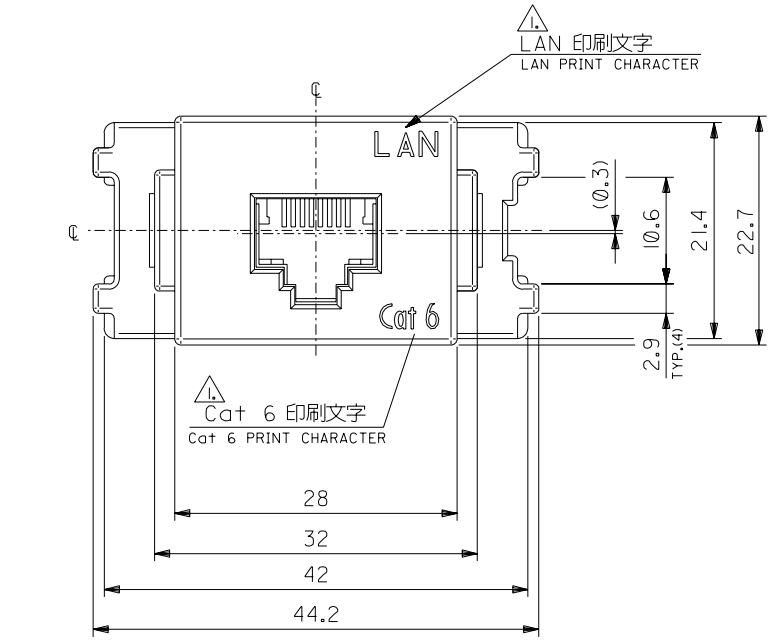
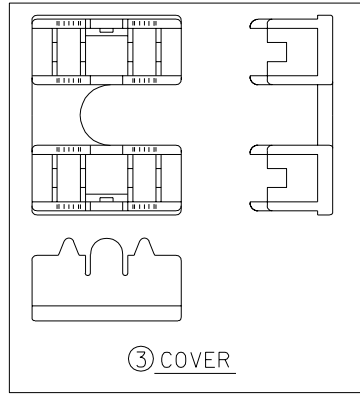
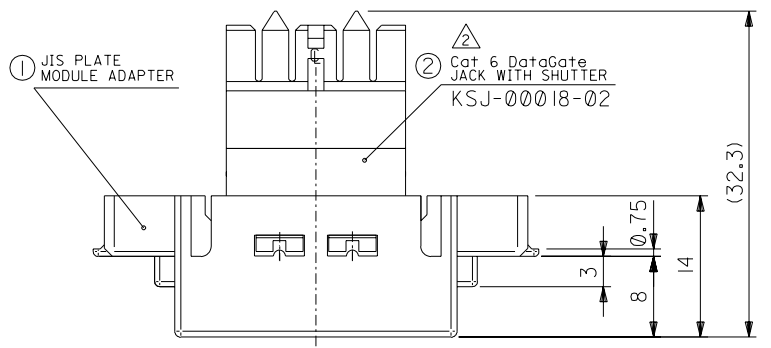


Need more information on product environmental compliance?

Email productcompliance@molex.com
 For a multiple part number RoHS Certificate of Compliance, [click here](#)

Please visit the [Contact Us](#) section for any non-product compliance questions.

Search Parts in this Series
 501013Series



注記
NOTES

- ① 印刷文字の色調 : グレー
CHARACTER TO BE COLOR: GRAY.
- ② 詳細は、CD-KSJ-00018-XX 図面を参照して下さい。
DETAILS IS REFER TO DRAWING No. CD-KSJ-00018-XX.

///	ポリカーボネイト, UL94V-0, 色 透明色 POLYCARBONATE, UL94V-0 COLOR: CLEAR	③ COVER	
コンタクト: 金メッキ 1.27 マイクロメートル ニッケルメッキ 2.54 マイクロメートル (下地メッキ) CONTACT: 1.27 MICRO METER GOLD OVER 2.54 MICRO METER NICKEL	ハウジング: ポリカーボネイト, UL94V-0, 色 白 HOUSING: POLYCARBONATE, UL94V-0 COLOR: WHITE コンタクト: 銅合金 CONTACT: COPPER ALLOY	② Cat 6 DataGate JACK WITH SHUTTER	501013-0810
///	ABS 樹脂, ガラス無し, UL94V-2, 色 アイボリー ABS, NON GLASS FILLED, UL94V-2 COLOR: IVORY	① JIS PLATE MODULE ADAPTER	
仕上げ FINISH	材質 MATERIAL	項番 No.	構成部品名称 PARTS CONSTRUCTION TITLE 製品番号 MATERIAL No.

DO NOT SCALE DRAWING

EC NO. DRWN: CHK: APPR:	EC NO. DRWN: CHK: APPR:	EC NO. DRWN: CHK: APPR:	EC NO. DRWN: CHK: APPR:	EC NO. 42004-1724 DRWN: K. KOBAYASHI '03/12/25 CHK: N. MATSUURA '03/12/25 APPR: Y. ITO '03/12/25	RELEASD	MATERIAL 材料	表参照 SEE TABLE
						FINISH 仕上げ	表参照 SEE TABLE
						WIRE RANGE 適用線径範囲	///
						INS. RANGE 被覆外径	///

GENERAL TOLERANCES: (UNLESS SPECIFIED) 一般公差	SCALE 2:1	DESIGN UNITS <input checked="" type="checkbox"/> mm <input type="checkbox"/> INCH	THIRD ANGLE PROJECTION	DIMENSIONS: <input type="checkbox"/> mm <input type="checkbox"/> INCH <input type="checkbox"/> mm ONLY	SHT REV
10 UNDER 未満	±0.2	DRAWN BY & DATE <i>K. Kobayashi</i> '03/12/25		TITLE: MODULE ADAPTER ASS'Y (8P) -Cat 6-	
10 OVER 30 UNDER 以上 未満	±0.25	CHECKED BY & DATE <i>N. Matsuura</i> '03/12/25		MOLEX INCORPORATED	
30 OVER 以上	±0.3	APPROVED BY & DATE <i>Y. Ito</i> '03/12/25		MATERIAL NO. SEE CHART	
ANGLE 角度	±3°	CAD FILENAME SD-501013-002.S01		DRAWING NO. SD-501013-002	
THIS DRAWING CONTAINS INFORMATION THAT IS PROPRIETARY TO MOLEX INCORPORATED AND SHOULD NOT BE USED WITHOUT WRITTEN PERMISSION.				SHEET NO. 1 OF 1	