

**PLEASE CHECK WWW.MOLEX.COM FOR LATEST PART INFORMATION**

**Part Number:** [1300940527](#)  
**Status:** **Active**  
**Overview:** [brad wire mesh grips](#)  
**Description:** Support Grips for Fiber Optics, Closed Mesh, Single Eye, Bale Length 7", Cable Diameter 14.22-18.03mm (.560-.710")

**Documents:**

[Drawing \(PDF\)](#) [RoHS Certificate of Compliance \(PDF\)](#)

**General**

Product Family	Cable Grips
Series	<a href="#">130094</a>
Eye Type	Single eye
Insulated	No
O-Ring	No
Overview	<a href="#">brad wire mesh grips</a>
Product Name	Fiber Optic
Type	Strain Relief Grips
Woodhead	Yes

**Physical**

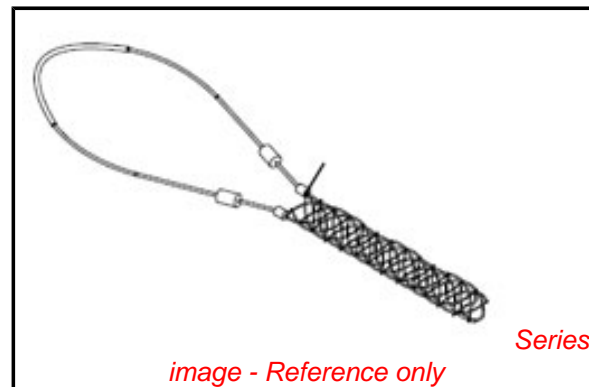
Approximate Break Strength	500 lbs
Bale Length	0.178m (7.00")
Body Style	N/A
Cable Diameter	14.22-18.03mm (.560-.710")
Color - Grommet	N/A
Gender	N/A
Material - Body	Aluminum
Material - Grip	Non-magnetic Tin Bronze Wire
Mesh Length	0.14m (5.50")
Number of Holes	N/A
Strain Relief Force	35 lbs
Thread Size	N/A

**Material Info**

Old Part Number 36675

**Reference - Drawing Numbers**

Sales Drawing SD-130094-001



**EU RoHS**

**ELV and RoHS  
Compliant**  
**REACH SVHC  
Not Reviewed**  
**Halogen-Free  
Status  
Not Reviewed**

**China RoHS**



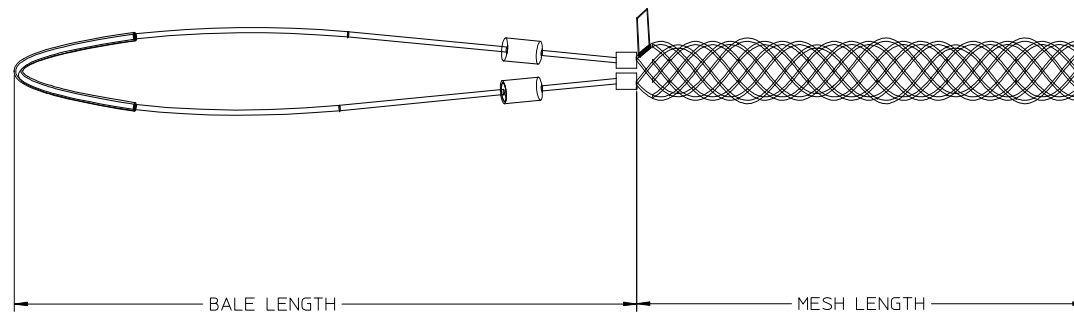
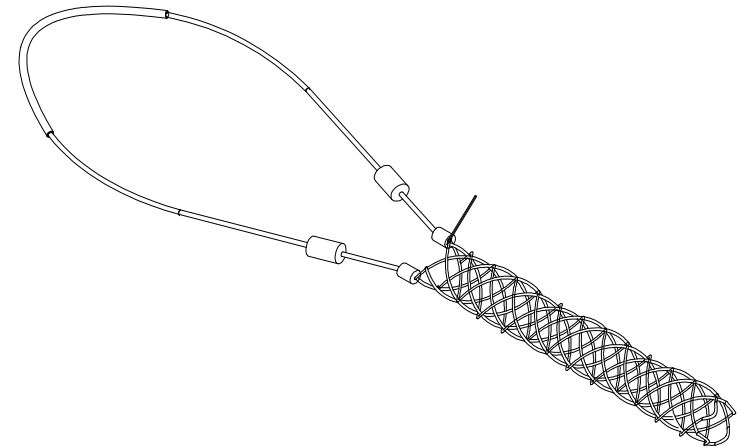
**Need more information on product  
environmental compliance?**

Email [productcompliance@molex.com](mailto:productcompliance@molex.com)  
 For a multiple part number RoHS Certificate of Compliance, [click here](#)

Please visit the [Contact Us](#) section for any non-product compliance questions.

**Search Parts in this Series**  
[130094Series](#)

OLD PART NO.	ORDER NO.	CABLE DIA. RANGE	BALE LENGTH	MESH LENGTH	APPROXIMATE BREAK STRENGTH
36670	130094-0522	.180-.250"	3.00"	1.70"	300 LBS
36671	130094-0523	.230-.320"	3.00"	2.50"	300 LBS
36672	130094-0524	.300-.390"	4.00"	2.50"	300 LBS
36673	130094-0525	.370-.480"	5.00"	4.00"	300 LBS
36674	130094-0526	.460-.580"	6.00"	4.00"	400 LBS
36675	130094-0527	.560-.710"	7.00"	5.50"	500 LBS
36676	130094-0528	.690-.880"	8.00"	6.00"	800 LBS



COMPONENT	MATERIAL	FINISH
FLAG LABEL	POLYESTER	SILVER
FERRULE	STAINLESS STEEL	PASSIVATE
.030 WIRE 1X7LHLAY MESH	BRONZE	TINNED
.075 WIRE 1X7LHLAY BALE	BRONZE	TINNED
.187X1.000 SLEEVE	STAINLESS STEEL	PASSIVATE

ENTER DESCRIPTION  
 EC NO: WNA2009-0481  
 DRAWN: SGARCIA 2009/03/31  
 CHKD: B WOODMAN  
 APPR: J MURPHY 2009/04/01

DESCRIPTION  
 REV  
 A

QUALITY SYMBOLS  
 ▽=0  
 ▽=0

GENERAL TOLERANCES (UNLESS SPECIFIED)

	mm	INCH
4 PLACES	± .005	± .0005
3 PLACES	± .005	± .0005
2 PLACES	± .005	± .0005
1 PLACE	± .005	± .0005
ANGULAR ±1/2°		

DRAFT WHERE APPLICABLE  
 MUST REMAIN  
 WITHIN DIMENSIONS

DIMENSION STYLE  
 IN/MM

DRAWN BY  
 SGARCIA  
 DATE  
 02/11/09  
 CHECKED BY  
 B WOODMAN  
 DATE  
 02/11/09  
 APPROVED BY  
 JFMURPHY  
 DATE  
 02/11/09

MATERIAL NO.  
 SEE CHART

SIZE  
 C

SCALE  
 1:10

DESIGN UNITS  
 INCH

THIRD ANGLE PROJECTION

TITLE

DOCUMENT NO.

SHEET NO.

SUPPORT GRIPS FOR FIBER OPTICS

MOLEX INCORPORATED

SD-130094-001

1 OF 1