

PLEASE CHECK WWW.MOLEX.COM FOR LATEST PART INFORMATION

Part Number: [1200705139](#)
Status: **Active**
Overview: [microchange m12 connectors](#)
Description: Micro-Change® (M12) Male Receptacle with Flange, 8 Poles Solder Pin, PCBMount

Documents:

[Drawing \(PDF\)](#) [RoHS Certificate of Compliance \(PDF\)](#)

General

Product Family	Industrial Receptacles
Series	120070
IP Rating	IP67
Overview	microchange m12 connectors
Product Name	Micro-Change® (M12)
Type	PCB Mount

Physical

Coupling Type	External Thread
Gender	Male
Keyway	Single
Length	N/A
Material - Component	Nickel-plated Brass
Mounting Thread Size	N/A
Orientation	Straight
Panel Mount	N/A
Poles	8
Temperature Range - Operating	-40°C to +125°C
Wire Size AWG	N/A
Wire/Cable Type	N/A

Electrical

Current - Maximum per Contact	8A
Voltage - Maximum	30V AC / 36V DC

Material Info

Old Part Number	0912 083GM 05000
-----------------	------------------

Reference - Drawing Numbers

Sales Drawing	SD-120070-002
---------------	---------------

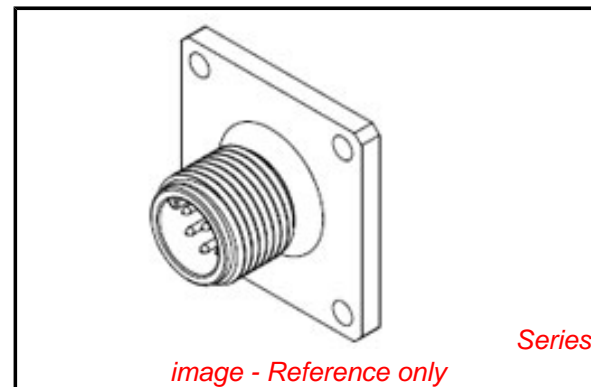


image - Reference only

EU RoHS

**ELV and RoHS
Compliant**
**REACH SVHC
Not Reviewed**
**Halogen-Free
Status
Not Reviewed**

China RoHS

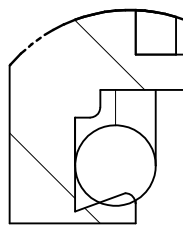
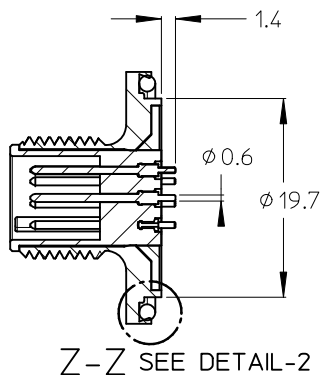
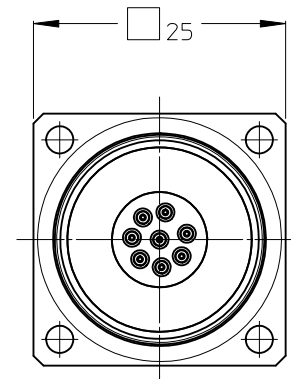
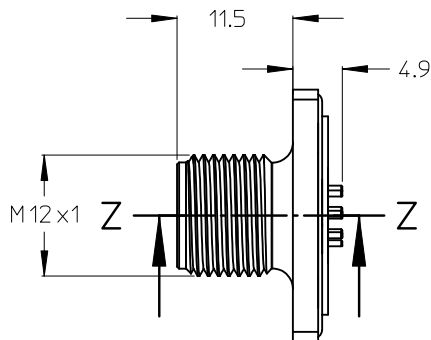
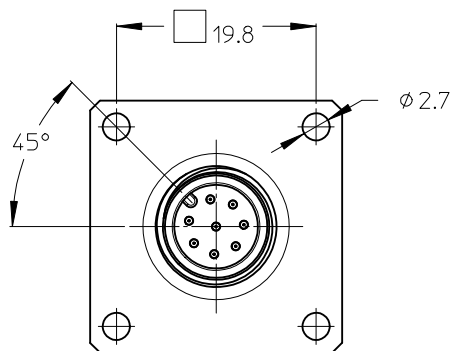


**Need more information on product
environmental compliance?**

Email productcompliance@molex.com
 For a multiple part number RoHS Certificate of
 Compliance, [click here](#)

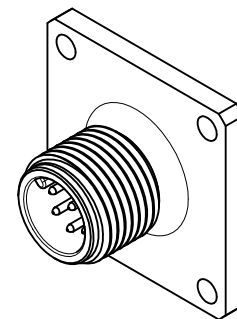
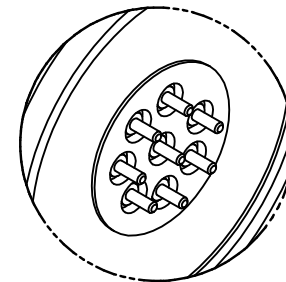
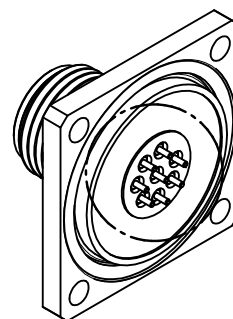
Please visit the [Contact Us](#) section for any
 non-product compliance questions.

Search Parts in this Series
[120070Series](#)



DETAIL-2
SCALE 10:1

Engineering Number:
0912 083GM 05000

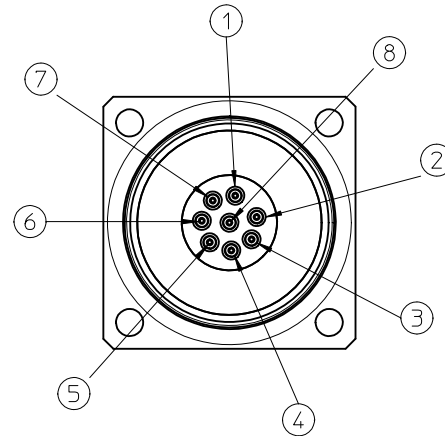
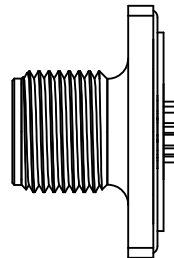
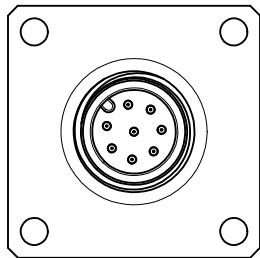


TECHNICAL DATA:

M12 8pole flange solder Version with solderpins.
The bottom and the drills are equivalent to M23 flange housing.

poles: 8
coding: type A
nominal voltage: 30VAC / 36VDC
max current: 3A
contact resistance: < 5m Ohms
test voltage 1,4KV / 60 sec.
insulation withstand: > 1G Ohm
IP Degree of protection: IP67 in connection area
Temperatutre range: -40 to 125°C

ENTER DESCRIPTION EC NO: WEU2010-0369 DRWINSTAUDIGEL 2010/02/16 CHKD:FPACHER 2010/02/20 APPR:FPACHER 2010/02/24 4	QUALITY SYMBOLS =0 =0	GENERAL TOLERANCES (UNLESS SPECIFIED)		DIMENSION STYLE MM ONLY		SCALE 2:1	DESIGN UNITS METRIC	THIRD ANGLE PROJECTION		
		4 PLACES ± --- ± --- 3 PLACES ± --- ± --- 2 PLACES ± 0.05 ± --- 1 PLACE ± 0.1 ± ---	mm INCH	DRAWN BY NSTAUDIGEL	DATE 2010/02/16	TITLE M12 8P FLANGE M23 SQUARE SOLDER PIN PCB MOUNT				
		ANGULAR ± 1 °		APPROVED BY FPACHER	DATE 2010/02/19	MOLEX INCORPORATED				
		DRAFT WHERE APPLICABLE MUST REMAIN WITHIN DIMENSIONS		MATERIAL NO. 1200705139	DOCUMENT NO. SD-120070-002	SHEET NO. 1 OF 2				



ELECTRICAL INTERCONNECTION DATA

For the electrical interconnection by single threads or wires the minimum air- and creeping distances **MUST NOT BE EXCEEDED**. These are the basement data according to IEC 60664.

GENERAL:

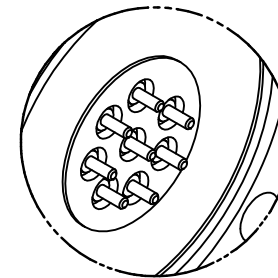
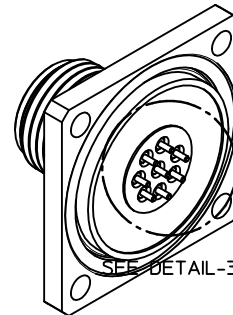
nominal voltage: 30VAC / 36VDC
 rated impulse voltage: 0,8 KV
 CTI value: >600

FRONTEND:

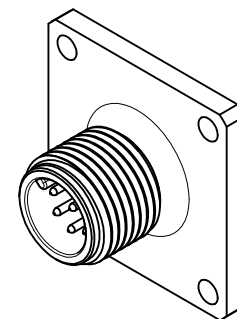
overvoltage category: III
 pollution degree: III
 minimum air distance: 0,8 mm
 minimum creeping dist.: 1,3 mm

BACKEND:

overvoltage category: III
 pollution degree: III
 minimum air distance: 0,8 mm
 minimum creeping dist.: 1,3 mm



DETAIL-3
SCALE 4:1



ENTER DESCRIPTION EC NO: WEU2010-0369 DRW:NSTAUDIGEL 2010/02/16 CHKD:FPACHER 2010/02/20 APPR:FPACHER 2010/02/24	DESCRIPTION REV	QUALITY SYMBOLS	GENERAL TOLERANCES (UNLESS SPECIFIED)		DIMENSION STYLE MM ONLY		SCALE 2:1	DESIGN UNITS METRIC	THIRD ANGLE PROJECTION
		▼=0 □=0	mm INCH 4 PLACES ± --- ± --- 3 PLACES ± --- ± --- 2 PLACES ± 0.05 ± --- 1 PLACE ± 0.1 ± --- ANGULAR ± 1 °	DRAWN BY NSTAUDIGEL DATE 2010/02/16 CHECKED BY DATE	TITLE M12 8P FLANGE M23 SQUARE SOLDER PIN PCB MOUNT				
			APPROVED BY FPACHER DATE 2010/02/19		MATERIAL NO. 1200705139 DOCUMENT NO. SD-120070-002				
		DRAFT WHERE APPLICABLE MUST REMAIN WITHIN DIMENSIONS		SIZE A3	THIS DRAWING CONTAINS INFORMATION THAT IS PROPRIETARY TO MOLEX INCORPORATED AND SHOULD NOT BE USED WITHOUT WRITTEN PERMISSION				