

**PLEASE CHECK WWW.MOLEX.COM FOR LATEST PART INFORMATION**

**Part Number:** [1200705138](#)  
**Status:** **Active**  
**Overview:** [microchange m12 connectors](#)  
**Description:** Micro-Change® (M12) Male Receptacle with Flange, 8 Poles Solder Flag, PBC Mount

**Documents:**

[Drawing \(PDF\)](#) [RoHS Certificate of Compliance \(PDF\)](#)

**General**

Product Family	Industrial Receptacles
Series	<a href="#">120070</a>
IP Rating	IP67
Overview	<a href="#">microchange m12 connectors</a>
Product Name	Micro-Change® (M12)
Type	PCB Mount

**Physical**

Coupling Type	External Thread
Gender	Male
Keyway	Single
Length	N/A
Material - Component	Nickel-plated Brass
Mounting Thread Size	N/A
Orientation	Straight
Panel Mount	N/A
Poles	8
Temperature Range - Operating	-40°C to +125°C
Wire Size AWG	N/A
Wire/Cable Type	N/A

**Electrical**

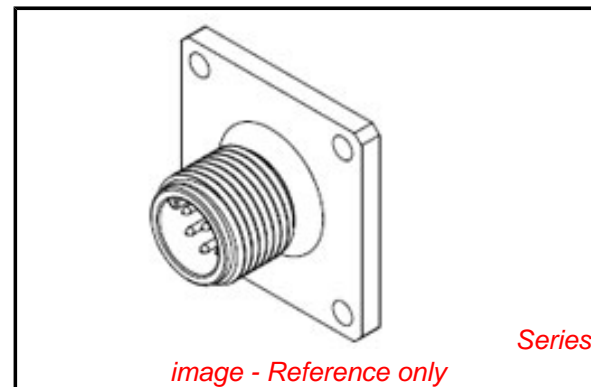
Current - Maximum per Contact	8A
Voltage - Maximum	30V AC / 36V DC

**Material Info**

Old Part Number	0912 083GM 04000
-----------------	------------------

**Reference - Drawing Numbers**

Sales Drawing	SD-120070-003
---------------	---------------



*image - Reference only*

**EU RoHS**

**ELV and RoHS  
Compliant**  
**REACH SVHC  
Not Reviewed**  
**Halogen-Free  
Status  
Not Reviewed**

**China RoHS**

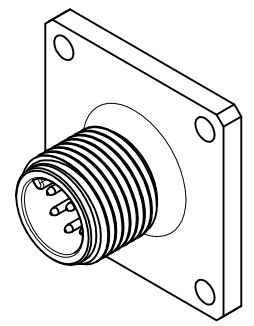
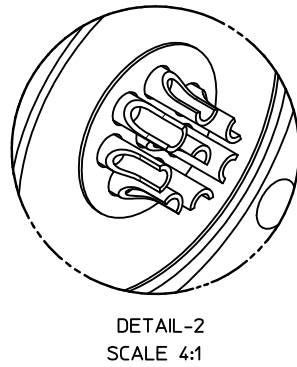
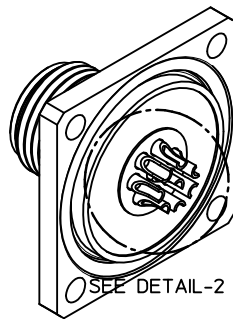
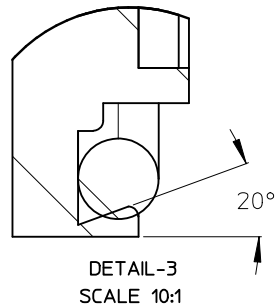
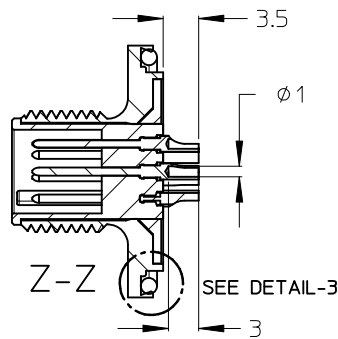
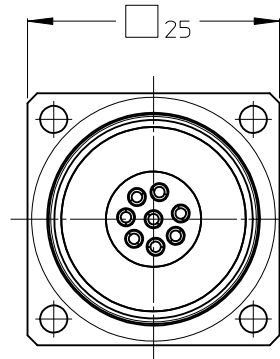
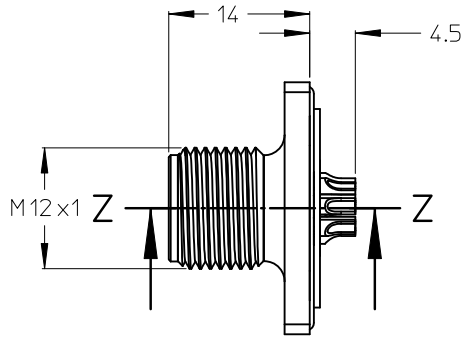
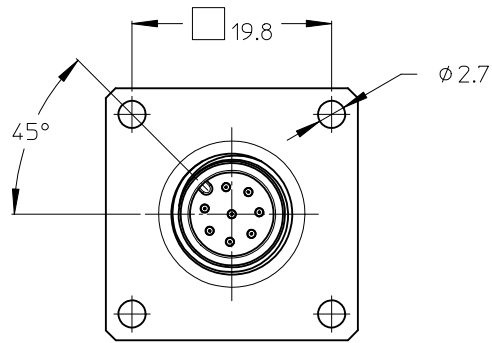


**Need more information on product  
environmental compliance?**

Email [productcompliance@molex.com](mailto:productcompliance@molex.com)  
 For a multiple part number RoHS Certificate of  
 Compliance, [click here](#)

Please visit the [Contact Us](#) section for any  
 non-product compliance questions.

**Search Parts in this Series**  
[120070Series](#)



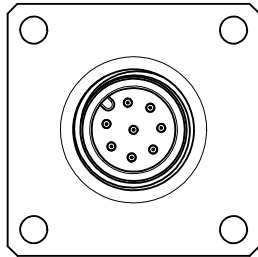
Engineering Number:  
0912 083GM 04000

TECHNICAL DATA:  
M12 8 pole flange solder Version with solderwings.  
The bottom and the drills are equivalent to M23 flange housing.

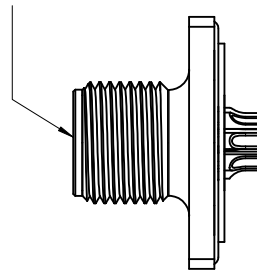
poles: 8  
coding: type A  
nominal voltage: 30VAC / 36VDC  
max current: 3A  
contact resistance: < 5m Ohms  
test voltage: 0,8 KV / 60 sec.  
insulation withstand: > 1 GOhm

IP Degree of protection: IP 67 in connection area  
Temperature range: -40°C to 125°C

ENTER DESCRIPTION EC NO: WEU2010-0369 DRWINSTAUDIGEL 2010/02/17 CHKD:FPACHER 2010/02/20 APPR:FPACHER 2010/02/24	QUALITY SYMBOLS ▽=0 ◻=0	GENERAL TOLERANCES (UNLESS SPECIFIED)		DIMENSION STYLE MM ONLY		SCALE 2:1	DESIGN UNITS METRIC	THIRD ANGLE PROJECTION			
			mm	INCH	DRAWN BY NSTAUDIGEL	DATE 2010/02/17	TITLE M12 FLANGE WITH M23 SQUARE SOLDER FLAG				
			4 PLACES	± ---	± ---	CHECKED BY	DATE	MOLEX INCORPORATED			
			3 PLACES	± ---	± ---	APPROVED BY FPACHER					
	2 PLACES	± 0.05	± ---	MATERIAL NO. 1200705138		THIS DRAWING CONTAINS INFORMATION THAT IS PROPRIETARY TO MOLEX INCORPORATED AND SHOULD NOT BE USED WITHOUT WRITTEN PERMISSION					
	1 PLACE	± 0.1	± ---	DRAFT WHERE APPLICABLE MUST REMAIN WITHIN DIMENSIONS							
		ANGULAR ± ---°									

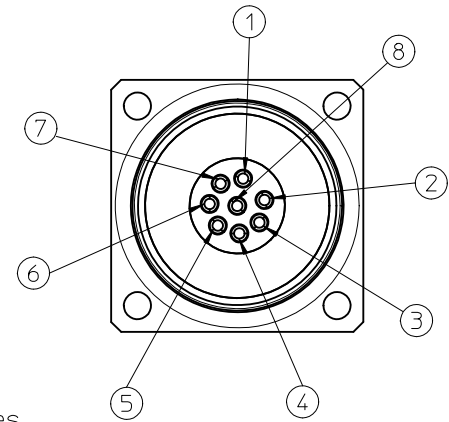


Frontend



Backend

Take care of the distances when soldering.



**ELECTRICAL INTERCONNECTION DATA**

For the electrical interconnection by single threads or wires the minimum air- and creeping distances MUST NOT BE EXCEEDED. These are the basement data according to IEC 60664.

**GENERAL:**

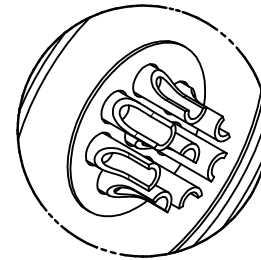
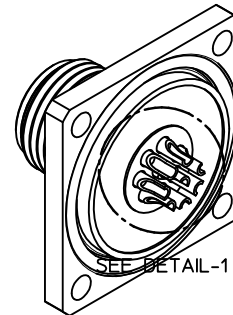
nominal voltage: 30VAC / 36VDC  
 rated impulse voltage: 0,8 kV  
 CTI value: >600

**FRONTEND:**

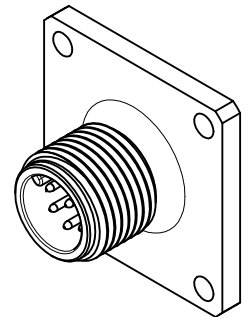
overvoltage category: III  
 pollution degree: III  
 minimum air distance: 0,8 mm  
 minimum creeping dist.: 1,3 mm

**BACKEND:**

overvoltage category: III  
 pollution degree: II  
 minimum air distance: 0,2 mm  
 minimum creeping dist.: 0,53 mm



DETAIL-1  
SCALE 4:1



ENTER DESCRIPTION EC NO: WEU2010-0369 DRW:INSTAUDIGEL 2010/02/17 CHKD:FPACHER 2010/02/20 APPR:FPACHER 2010/02/24	QUALITY SYMBOLS ▽=0 ◻=0	GENERAL TOLERANCES (UNLESS SPECIFIED)		DIMENSION STYLE	SCALE	DESIGN UNITS	THIRD ANGLE PROJECTION				
				MM ONLY	2:1	METRIC					
				DRAWN BY	DATE	TITLE					
				INSTAUDIGEL	2010/02/17	M12 FLANGE WITH M23 SQUARE SOLDER FLAG					
3 REV	DESCRIPTION	4 PLACES	± ---	± ---	CHECKED BY	DATE	APPROVED BY DATE FPACHER 2010/02/19	MATERIAL NO. 1200705138	DOCUMENT NO. SD-120070-003	SHEET NO. 2 OF 2	
		3 PLACES	± ---	± ---	MOLEX INCORPORATED						
		2 PLACES	± 0.05	± ---	THIS DRAWING CONTAINS INFORMATION THAT IS PROPRIETARY TO MOLEX INCORPORATED AND SHOULD NOT BE USED WITHOUT WRITTEN PERMISSION						
		1 PLACE	± 0.1	± ---							
DRAFT WHERE APPLICABLE MUST REMAIN WITHIN DIMENSIONS											