

PLEASE CHECK WWW.MOLEX.COM FOR LATEST PART INFORMATION

Part Number: [1050750001](#)
Status: **Active**
Overview: [battery connectors](#)
Description: 2.00mm (.079") Pitch Battery Connector, SMT, Contact Width 0.60mm (.024"), 4 Circuits, Lead-free

Documents:

[3D Model](#) [Product Specification PS-105075-001 \(PDF\)](#)
[Drawing \(PDF\)](#) [RoHS Certificate of Compliance \(PDF\)](#)

General

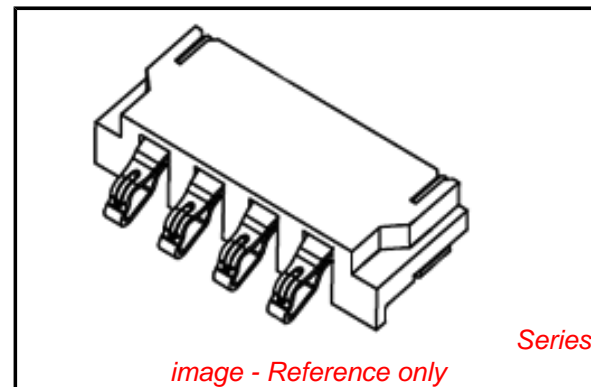
Product Family	PCB Headers
Series	105075
Application	Board-to-Board
Comments	Working Position 2.87mm (.113")
Overview	battery connectors
Product Name	Battery Connector

Physical

Breakaway	No
Circuits (Loaded)	4
Circuits (maximum)	4
Color - Resin	Black
Durability (mating cycles max)	5,000
First Mate / Last Break	No
Glow-Wire Compliant	No
Guide to Mating Part	No
Keying to Mating Part	None
Lock to Mating Part	None
Material - Metal	Beryllium Copper
Material - Plating Mating	Gold
Material - Plating Termination	Gold
Material - Resin	High Temperature Thermoplastic
Number of Rows	1
Orientation	Right Angle
PCB Locator	No
PCB Retention	Yes
Packaging Type	Embossed Tape on Reel
Pitch - Mating Interface (in)	0.079 In
Pitch - Mating Interface (mm)	2.00 mm
Pitch - Term. Interface (in)	0.079 In
Pitch - Term. Interface (mm)	2.00 mm
Plating min: Mating (µin)	30
Plating min: Mating (µm)	0.75
Plating min: Termination (µin)	3
Plating min: Termination (µm)	0.08
Polarized to Mating Part	Yes
Polarized to PCB	Yes
Shrouded	No
Stackable	No
Temperature Range - Operating	-20°C to +70°C
Termination Interface: Style	Surface Mount

Electrical

Current - Maximum per Contact	1A
Voltage - Maximum	12V DC



EU RoHS

**ELV and RoHS
Compliant**
**REACH SVHC
Not Reviewed**
**Halogen-Free
Status**

China RoHS



**Need more information on product
environmental compliance?**

Email productcompliance@molex.com
 For a multiple part number RoHS Certificate of Compliance, [click here](#)

Please visit the [Contact Us](#) section for any non-product compliance questions.

Search Parts in this Series
[105075Series](#)

Material Info

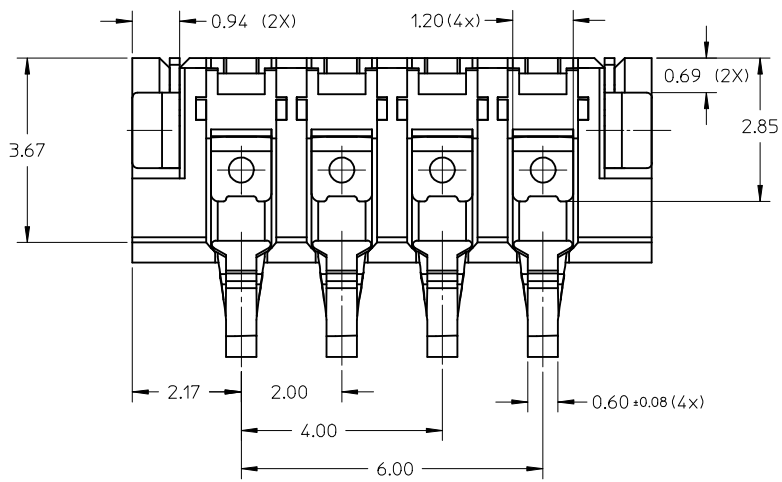
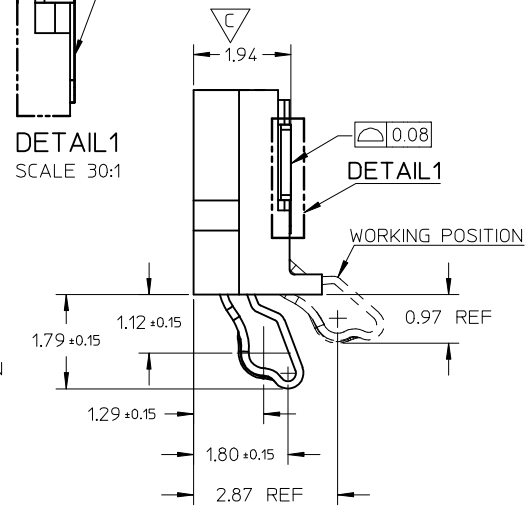
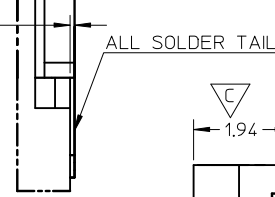
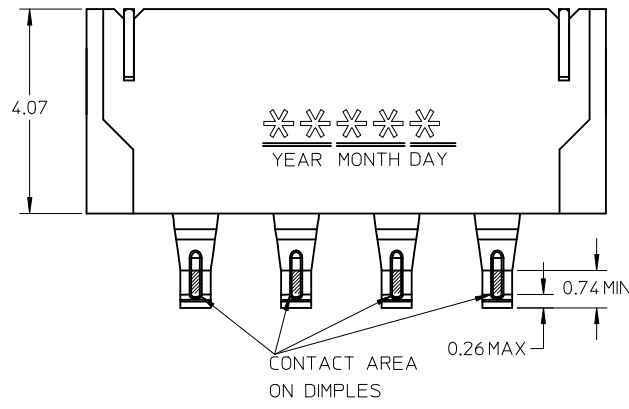
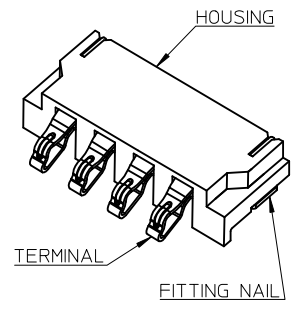
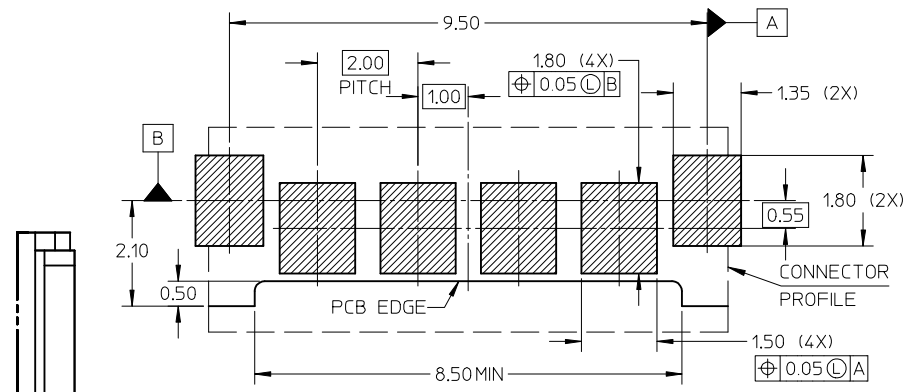
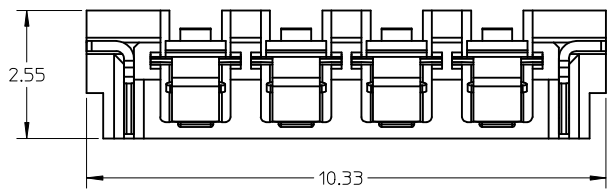
Reference - Drawing Numbers

Packaging Specification	PK-105075-001
Product Specification	PS-105075-001
Sales Drawing	SD-105075-001

This document was generated on 05/26/2010

PLEASE CHECK WWW.MOLEX.COM FOR LATEST PART INFORMATION

10 9 8 7 6 5 4 3 2 1



- NOTES:
- MATERIAL: TERMINAL : BERYLLIUMCOPPER (BeCu)
HOUSING : LCP, GLASS FILLED, UL94V-0, COLOR:BLACK
FITTING NAIL: BRASS
 - FINISH: TERMINAL:50 μ Min NICKEL UNDERPLATE
30 μ Min GOLD PLATING ON CONTACT AREA
GOLD FLASH PLATING ON SOLDER AREA
FITTING NAIL:100 μ Min TIN ALLOY PLATING OVERALL
50 μ Min NICKEL UNDERPLATE
 - PRODUCT SPECIFICATION: PS-105075-001
 - PACKAGE SPECIFICATION: PK-105075-001
 - COMPLIANT TO RoHS DIRECTIVE 2002/95/EC
AND ELV DIRECTIVE 2000/53/EC.

REVISED	EC NO:	2009/09/08	DESCRIPTION	2009/10/15
	DRWN:TPWU			
	CHKD:			
	APPR:			

QUALITY SYMBOLS	▽=0
	∇=2

GENERAL TOLERANCES (UNLESS SPECIFIED)	mm	INCH	
	4 PLACES	± ---	± ---
	3 PLACES	± ---	± ---
	2 PLACES	± 0.13	± ---
	1 PLACE	± ---	± ---
ANGULAR ± 2 °			
DRAFT WHERE APPLICABLE MUST REMAIN WITHIN DIMENSIONS			

DIMENSION STYLE		SCALE	DESIGN UNITS	THIRD ANGLE PROJECTION
MM ONLY		10:1	METRIC	
DRAWN BY	DATE	TITLE		
YWANG	2008/07/22	4 PIN BATTERY CONNECTOR		
CHECKED BY	DATE	2.0MM PITCH		
YLZHU	2008/07/22	SALES DRAWING		
APPROVED BY	DATE	MOLEX INCORPORATED		
HWANG	2008/07/22	DOCUMENT NO.		
MATERIAL NO.		SHEET NO.		
1050750001		1 OF 1		

MATERIAL NO.		SHEET NO.	
1050750001		1 OF 1	
THIS DRAWING CONTAINS INFORMATION THAT IS PROPRIETARY TO MOLEX INCORPORATED AND SHOULD NOT BE USED WITHOUT WRITTEN PERMISSION			

9 8 7 6 5 4 3 2 1