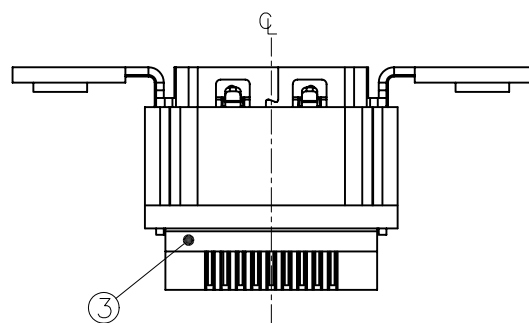
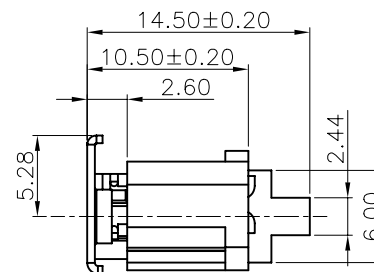
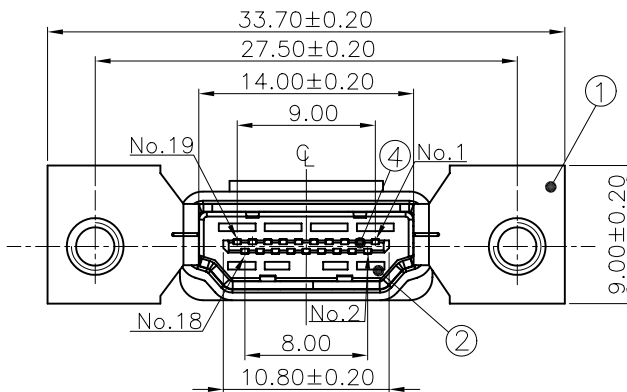
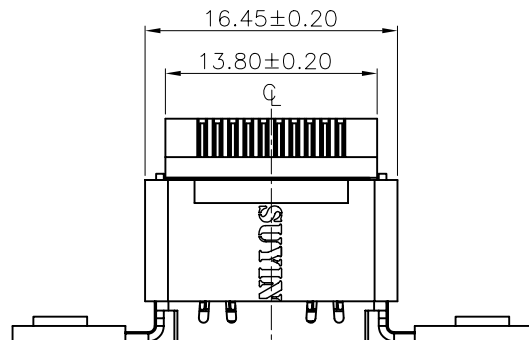




RoHS Compliant
2002/95/EC
Process Capable



NOTES:
100042MD019S□06ZA

- 1.Plating
- S1-05u" Min. gold in contact area/
100u" Min. Tin in solder area.
 - S2-Gold flash in contact area/
100u" Min. Tin in solder area.
 - S3-10u" Min. gold in contact area/
100u" Min. Tin in solder area.
 - S4-15u" Min. gold in contact area/
100u" Min. Tin in solder area.
 - S5-30u" Min. gold in contact area/
100u" Min. Tin in solder area.

NO.	DESCRIPTION	MATERIAL	COLOR	REMARK
4	Terminal	Copper Alloy		Gold/Tin Plated Over Ni
3	Cover	High Temp.	Black	UL 94V-0
2	Housing	High Temp.	Black	UL 94V-0
1	Shell	Metal		Ni Plated

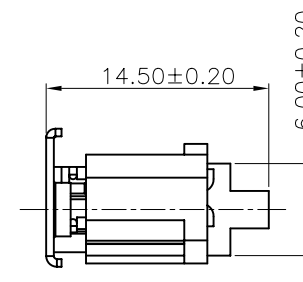
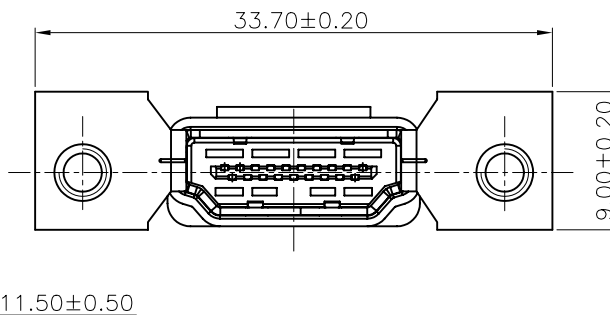
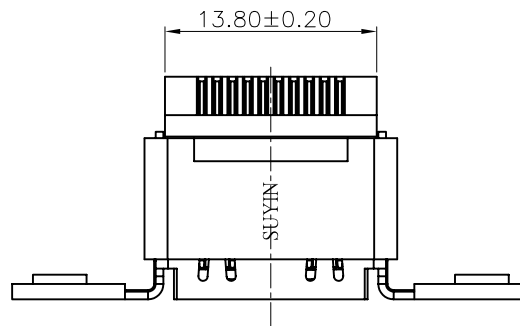
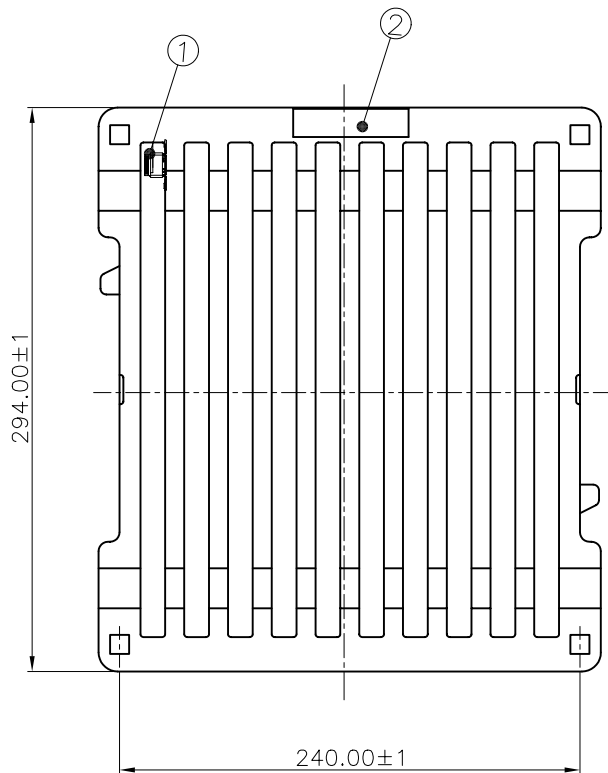
SUYIN
CONNECTOR

CUSTOMER COPY	TITLE:	HDMI Solder Type Female Connector		
PART NO.		100042MD019SX06ZA		
PRODUCT SPEC.		100042MX019XXXXZX		
FILE NAME.	DWG	100042MD019SX06ZA-C		
SCALE	2:1	UNIT:mm	A4	SHEET: 1 of 2

ECN(DCN) NO.	REV	DATE	DESCRIPTION	CHANGE	APPRO.	GENERAL TOLERANCE UNLESS OTHERWISE NOTED	Angle	±2°	DRAW	李楠	06'/11/29
							30 ~	±0.50	DESIGN	李楠	06'/11/29
	0		NEW RELEASE		李楠童俐		10 ~ 30	±0.30	CHECK	鄭冰雨	06'/11/29
	P0	06'/09/01	NEW		李楠童俐		~ 10	±0.15	APPRO.	童俐	06'/11/29



RoHS Compliant
2002/95/EC



SCALE 2:1

1 Package Information

Part Number	Q'ty per tray
100042MD019SX06ZA	100 pcs

NOTE:1.ALL dimensions toerance are:
±0.30mm unless otherwise specified.
2.TRAY:T=0.70mm

NO.	DESCRIPTION	MATERIAL	COLOR	REMARK
2	TRAY	PVC	TRANS	———
1	Product	———	———	100042MD019SX06ZA

SUYIN
CONNECTOR

CUSTOMER COPY	TITLE:	HDMI Solder Type Female Connector		
PART NO.		100042MD019SX06ZA		
PRODUCT SPEC.		100042MX019XXXXZX		
FILE NAME.	DWG	100042MD019SX06ZA-C		
SCALE	1:4	UNIT:mm	A4	SHEET: 2 of 2

ECN(DCN) NO.	REV	DATE	DESCRIPTION	CHANGE	APPRO.	Angle	±2'	DRAW	李楠	06'/11/29
	0		NEW RELEASE	李楠童俐	10 ~ 30	±0.30	DESIGN	李楠	06'/11/29	
	P0	06'/09/01	NEW	李楠童俐	~ 10	±0.15	CHECK	鄭冰雨	06'/11/29	
							APPRO.	童俐	06'/11/29	

GENERAL TOLERANCE UNLESS OTHERWISE NOTED