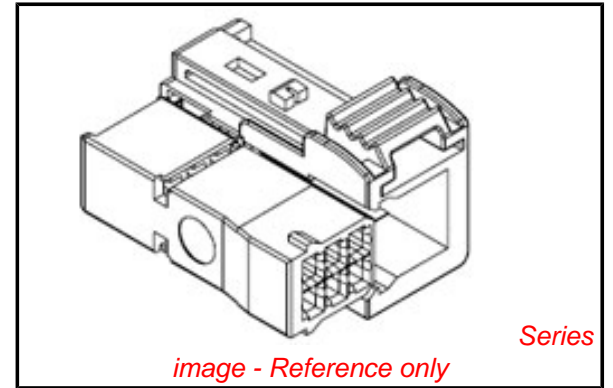


PLEASE CHECK WWW.MOLEX.COM FOR LATEST PART INFORMATION

Part Number: [0982980002](#)
Status: **Active**
Overview: [mox crimp terminals](#)
Description: 2.54mm (.100") Pitch MOX Receptacle Housing, 6 Circuits, Breakable, Dual Row, White

Documents:

Application Specification (PDF)	Product Specification PS-98298-001 (PDF)
Packaging Specification (PDF)	RoHS Certificate of Compliance (PDF)
Drawing (PDF)	



General

Product Family	Crimp Housings
Series	98298
Comments	2x3 Circuits
Overview	mox crimp terminals
Product Name	MOX

Physical

Circuits (maximum)	6
Color - Resin	White
Gender	Female
Glow-Wire Compliant	No
Keying to Mating Part	None
Lock to Mating Part	Yes
Material - Resin	Polyester
Number of Rows	2
Packaging Type	Bag
Panel Mount	No
Pitch - Mating Interface (in)	0.100 In
Pitch - Mating Interface (mm)	2.54 mm
Pitch - Term. Interface (in)	0.100 In
Pitch - Term. Interface (mm)	2.54 mm
Polarized to Mating Part	Yes
Stackable	No
Temperature Range - Operating	-40°C to +105°C

Electrical

Current - Maximum per Contact	6A
-------------------------------	----

Material Info

Reference - Drawing Numbers

Application Specification	AS-98298-001
Product Specification	PS-98298-001
Sales Drawing	SD-98298-002, SD-98298-003

EU RoHS

ELV and RoHS Compliant
REACH SVHC
 Not Reviewed
Halogen-Free Status
 Not Reviewed

China RoHS



Need more information on product environmental compliance?

Email productcompliance@molex.com
 For a multiple part number RoHS Certificate of Compliance, [click here](#)

Please visit the [Contact Us](#) section for any non-product compliance questions.

Search Parts in this Series

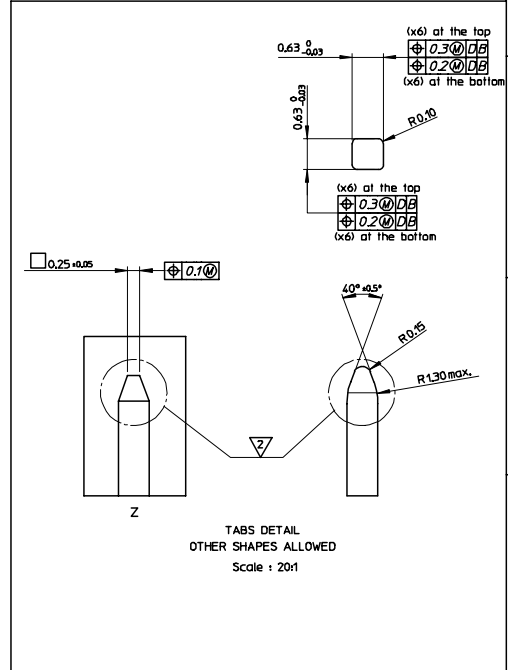
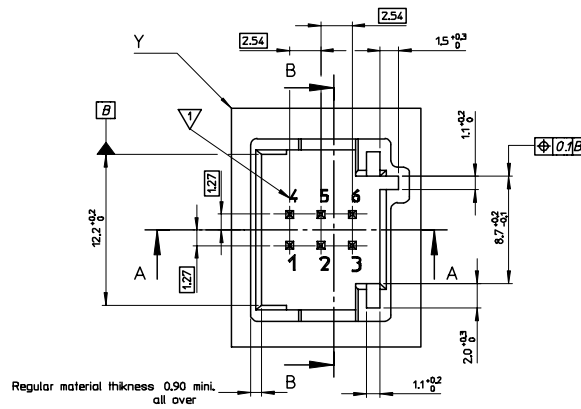
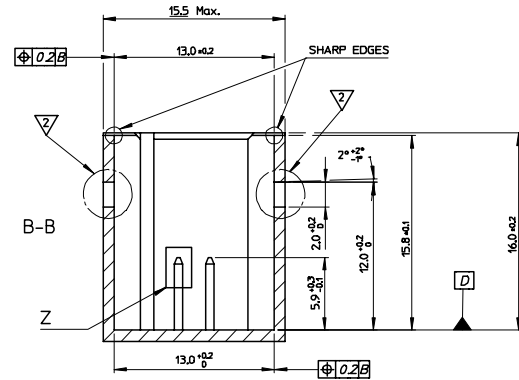
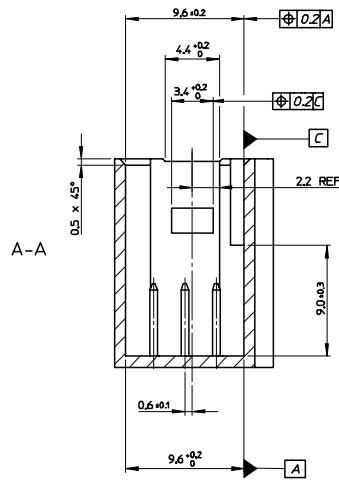
[98298Series](#)

Mates With

Contact Molex

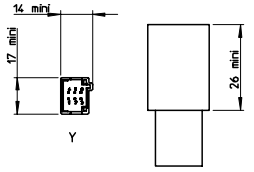
Use With

[98658](#) MOX Crimp Terminal



CODING BOARD			
ORIGINALS		COMPLEMENTARY CODING	
BROWN		GREY	
GREEN		BLUE	
WHITE		MALE HOUSING NOT AVAILABLE FOR COMPLEMENTARY CODING MECHANICAL SETTINGS CAN BE DIFFERENT FROM ORIGINAL CODING TO COMPLEMENTARY ONES.	
BLACK			

AREA FOR CONNECTOR ASSEMBLY
Scale: 1:1



- NOTES:
- 1 CAVITY PRENT MUST NOT GET OUTSIDE THE BOTTOM OF THE PREINT
 - 2 NO BURR ADMITED IN THAT AREA
 - 3 RADIUS WITHOUT DIMENSIONS R=0.5 MAX

Recommended Plastic Material: >PBT-GF20<
Recommended Metal Material: CuSn6 or CuFe2
Plating: 0.84µm to 3.34µm minus of pure tin (Sn)
1.34µm mini Nickel (Ni) underlayer.

FIRST RELEASE EC NO. 02003-0019 DRAWING SERIES 2005/04/12 CHKD: JLDUCLOS 2005/04/27 APPR: STICKEIR 2005/04/28	QUALITY SYMBOLS ▽=0 ▽=0	GENERAL TOLERANCES (UNLESS SPECIFIED)	DIMENSION STYLE MM ONLY	SCALE 5:1	DESIGN UNITS METRIC	FIRST ANGLE PROJECTION
		4 PLACES ± --- ± --- 3 PLACES ± --- ± --- 2 PLACES ± 0.10 ± --- 1 PLACE ± 0.2 ± --- ANGULAR ± 1/2°	DRAWN BY GDESBRUERES 2005/04/13	DATE 2005/04/13	TITLE INTERFACE DRAWING MOX RCPT HSG DR 3CKT 98298 SERIES#	
		DRAFT WHERE APPLICABLE MUST REMAIN WITHIN DIMENSIONS	APPROVED BY STICKEIR 2005/04/19	DATE 2005/04/19	MATERIAL NO.	DOCUMENT NO. SD-98298-003
			SIZE A1	THIS DRAWING CONTAINS INFORMATION THAT IS PROPRIETARY TO MOLEX INCORPORATED AND SHOULD NOT BE USED WITHOUT WRITTEN PERMISSION		SHEET NO. 1 OF 1