

**PLEASE CHECK WWW.MOLEX.COM FOR LATEST PART INFORMATION**

**Part Number:** [0905004014](#)  
**Status:** **Obsolete**  
**Overview:** ffc fpc throughhole  
**Description:** 2.54mm (.100") Right Angle, ZIF, Dual Contact Style Receptacle, 14 Circuits  
**Replacement Part Number:** NONE

**Documents:**  
[Drawing \(PDF\)](#)

**Agency Certification**

UL E29179

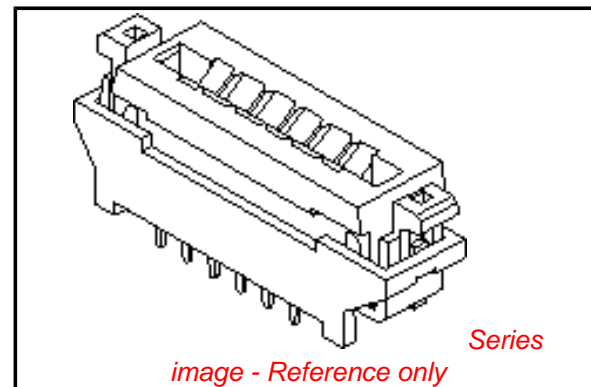
**General**

Product Family FFC/FPC Connectors  
 Series [90500](#)  
 Obsolete Date 2005/10/01  
 Overview [ffc fpc throughhole](#)  
 Product Name N/A  
 Replacement Part Number NONE

**Physical**

Circuits (Loaded) 14  
 Color - Resin Black  
 Contact Position Dual  
 Durability (mating cycles max) 50  
 Entry Angle 90° Angle  
 Flammability 94V-0  
 Mated Height (in) 0.287 In  
 Mated Height (mm) 7.30 mm  
 Material - Metal Phosphor Bronze  
 Material - Plating Mating Tin  
 Material - Plating Termination Tin  
 Material - Resin Polyester  
 Number of Rows 1  
 Orientation Vertical  
 PC Tail Length (in) 0.106 In  
 PC Tail Length (mm) 2.70 mm  
 PCB Retention None  
 PCB Thickness Recommended (in) 0.062 In  
 PCB Thickness Recommended (mm) 1.60 mm  
 Packaging Type Tube  
 Pitch - Mating Interface (in) 0.100 In  
 Pitch - Mating Interface (mm) 2.54 mm  
 Plating min: Mating (µin) 120  
 Plating min: Mating (µm) 3.00  
 Plating min: Termination (µin) 120  
 Plating min: Termination (µm) 3.00  
 Polarized to PCB No  
 Stackable No  
 Surface Mount Compatible (SMC) No  
 Temperature Range - Operating -40°C to +85°C  
 Termination Interface: Style Through Hole  
 Wire/Cable Type FFC/FPC

**Electrical**



**EU RoHS**

**ELV and RoHS Compliant**  
**REACH SVHC Contains SVHC: No**  
**Halogen-Free Status Not Reviewed**

**China RoHS**



**Need more information on product environmental compliance?**

Email [productcompliance@molex.com](mailto:productcompliance@molex.com)  
 For a multiple part number RoHS Certificate of Compliance, [click here](#)

Please visit the [Contact Us](#) section for any non-product compliance questions.

**Search Parts in this Series**  
[90500Series](#)

Current - Maximum per Contact  
Voltage - Maximum

0.5A, 1A  
250V

**Solder Process Data**

Lead-free Process Capability

Wave Capable (TH only)

**Material Info**

This document was generated on 06/07/2010

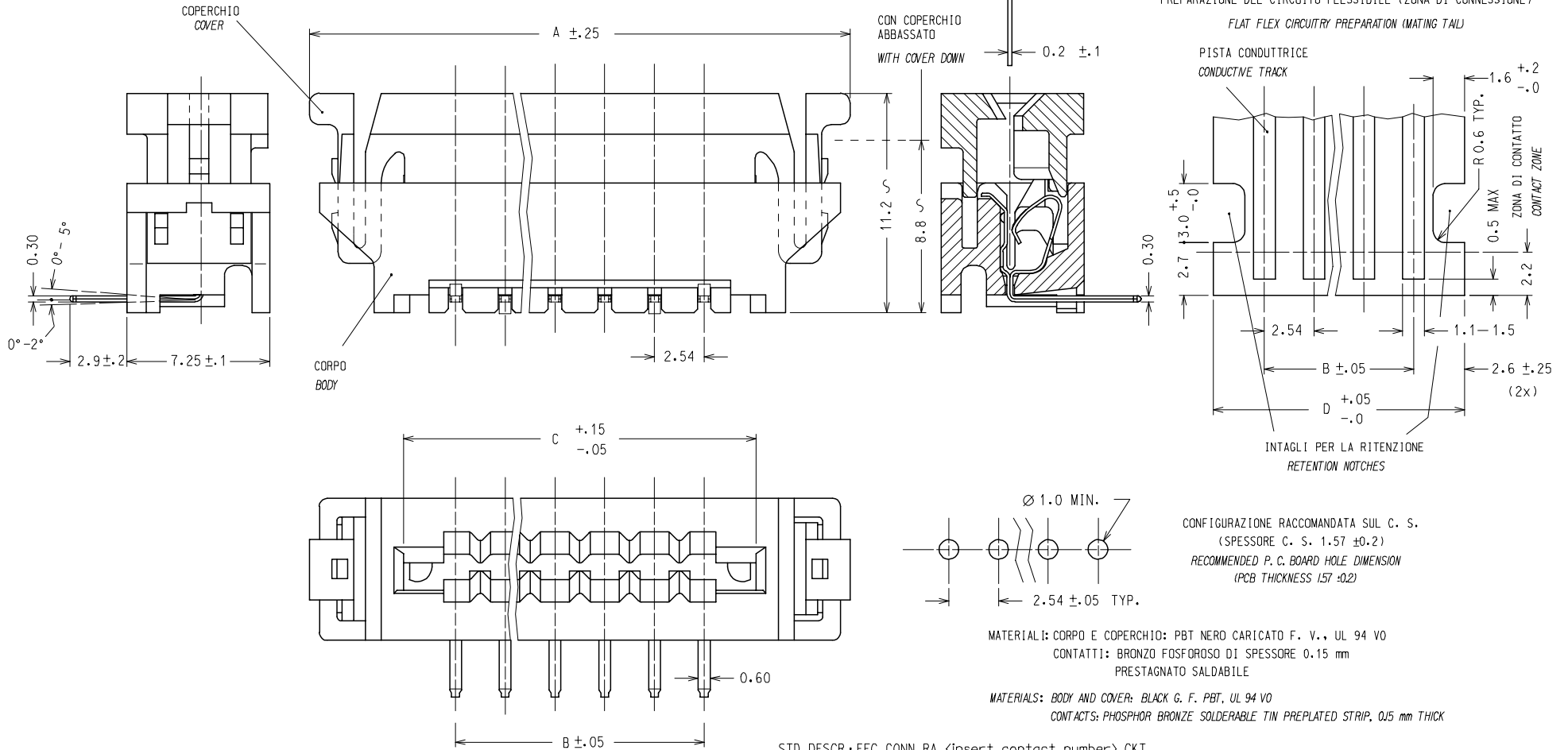
**PLEASE CHECK [WWW.MOLEX.COM](http://WWW.MOLEX.COM) FOR LATEST PART INFORMATION**

10 9 8 7 6 5 4 3 2 1

COPERCHIO ALZATO: I CONTATTI SONO APERTI PER UN AGEVOLE INSERIMENTO DEL CIRCUITO FLESSIBILE  
 COVER UP: CONTACTS ARE OPEN FOR AN EASY INSERTION OF THE FLEX CIRCUITRY  
 COPERCHIO ABBASSATO: I CONTATTI SONO PREMUTI CONTRO LE PISTE  
 COVER DOWN: CONTACTS ARE CLOSED ON THE TRACKS

CIRCUITO FLESSIBILE (SPESSORE TIPICO)  
 FLEX CIRCUITRY (TYPICAL THICKNESS)

PREPARAZIONE DEL CIRCUITO FLESSIBILE (ZONA DI CONNESSIONE)  
 FLAT FLEX CIRCUITRY PREPARATION (MATING TAIL)



CONFIGURAZIONE RACCOMANDATA SUL C. S.  
 (SPESSORE C. S. 1.57 ±0.2)  
 RECOMMENDED P. C. BOARD HOLE DIMENSION  
 (PCB THICKNESS 157 ±0.2)

MATERIALI: CORPO E COPERCHIO: PBT NERO CARICATO F. V., UL 94 VO  
 CONTATTI: BRONZO FOSFOROSO DI SPESSORE 0.15 mm  
 PRESTAGNATO SALDABILE  
 MATERIALS: BODY AND COVER: BLACK G. F. PBT, UL 94 VO  
 CONTACTS: PHOSPHOR BRONZE SOLDERABLE TIN PREPLATED STRIP, 0.15 mm THICK

STD. DESCR.: FFC CONN RA <insert contact number> CKT

NOTE: 1) IL PRODOTTO VIENE FORNITO IN TUBI (VEDI FOGLIO 2/2)  
 2) CARATTERISTICHE TECNICHE E FUNZIONALI COME DA PS 90500.  
 3) LUNGHEZZA MINIMA DI ESPOSIZIONE DELLE PISTE  
 NOTE: 1) PRODUCT WILL BE SUPPLIED PACKAGED IN A TUBE (SEE SHEET 2/2)  
 2) TECHNICAL CHARACTERISTICS AS INDICATED IN PS90500.  
 3) MINIMUM EXPOSED LENGTH OF TRACKS

EC NO: Z2005-0177	2005/05/19	QUALITY SYMBOLS
DRWNS:SBARBIER	2005/05/20	▽=0
CHKD:RSANDANO	2005/05/20	▽=0
APPR:FBI SELLO	2005/05/20	
REV	DESCRIPTION	
C1		

GENERAL TOLERANCES (UNLESS SPECIFIED)		DIMENSION STYLE	
		MM ONLY	
	mm		INCH
4 PLACES	± ---	± ---	± ---
3 PLACES	± ---	± ---	± ---
2 PLACES	± 0.05	± ---	± ---
1 PLACE	± 0.10	± ---	± ---
ANGULAR ± 2 °			
DRAFT WHERE APPLICABLE MUST REMAIN WITHIN DIMENSIONS			

DRAWN BY	DATE	TITLE
SBARBIER I	1993/09/09	FFC CONNECTOR RIGHT ANGLE VERSION
CHECKED BY	DATE	
APPROVED BY	DATE	
MPREVIATO	1993/09/09	
MATERIAL NO.	DOCUMENT NO.	SHEET NO.
SEE SHT 2	SD-90500-006	1 OF 2
THIS DRAWING CONTAINS INFORMATION THAT IS PROPRIETARY TO MOLEX INCORPORATED AND SHOULD NOT BE USED WITHOUT WRITTEN PERMISSION		

9 8 7 6 5 4 3 2 1

10 9 8 7 6 5 4 3 2 1

N° . DI CODICE PART. NO.	ATTREZZAGGIO TOOLING	N° . VIE CCT NO.	DIM "A"	DIM "B"	DIM "C"	DIM "D"	N° . CONN./TUBO CONN. NO./TUBE	N° . CONN./SCATOLA CONN. NO./BOX (SPQ)
90500-4002	NON ATTREZZATO NOT TOOLED	2						
90500-4003	"	3						
90500-4004	ATTREZZATO TOOLED	4	22.52	7.62	12.92	12.82	24	3456
90500-4005	"	5	25.06	10.16	15.46	15.36	21	3024
90500-4006	"	6	27.60	12.70	18.00	17.90	19	2736
90500-4007	"	7	30.14	15.24	20.54	20.44	17	2448
90500-4008	"	8	32.68	17.78	23.08	22.98	16	2304
90500-4009	"	9	35.22	20.32	25.62	25.52	15	2160
90500-4010	"	10	37.76	22.86	28.16	28.06	14	2016
90500-4011	"	11	40.30	25.40	30.70	30.60	13	1872
90500-4012	"	12	42.84	27.94	33.24	33.14	12	1728
90500-4013	"	13	45.38	30.48	35.78	35.68	11	1584
90500-4014	"	14	47.92	33.02	38.32	38.22	11	1584
90500-4015	"	15	50.46	35.56	40.86	40.76	10	1440
90500-4016	"	16	53.00	38.10	43.40	43.30	10	1440
90500-4017	"	17	55.54	40.64	45.94	45.84	9	1296
90500-4018	"	18	58.08	43.18	48.48	48.38	9	1296
90500-4019	"	19	60.62	45.72	51.02	50.92	8	1152
90500-4020	"	20	63.16	48.26	53.56	53.46	8	1152

EC NO: Z2005-0177 DRWN:SBARBERI 2005/05/19 CHKD:RSANDANO 2005/05/20 APPR:FBISELLO 2005/05/20 REV C1	QUALITY SYMBOLS	GENERAL TOLERANCES (UNLESS SPECIFIED)	DIMENSION STYLE MM ONLY	SCALE 5:1	DESIGN UNITS METRIC	FIRST ANGLE PROJECTION
	▽=0 ▽=0	4 PLACES ± --- ± --- 3 PLACES ± --- ± --- 2 PLACES ± 0.05 ± --- 1 PLACE ± 0.10 ± --- ANGULAR ± 2 °	mm INCH DRAWN BY SBARBERI DATE 1993/09/09 CHECKED BY DATE APPROVED BY DATE MPREVIATO 1993/09/09 MATERIAL NO.	TITLE	FFC CONNECTOR RIGHT ANGLE VERSION	
	DRAFT WHERE APPLICABLE MUST REMAIN WITHIN DIMENSIONS	SEE TABLE	MOLEX INCORPORATED DOCUMENT NO. SD-90500-006		SHEET NO. 2 OF 2	
	SIZE A3			THIS DRAWING CONTAINS INFORMATION THAT IS PROPRIETARY TO MOLEX INCORPORATED AND SHOULD NOT BE USED WITHOUT WRITTEN PERMISSION		

9 8 7 6 5 4 3 2 1