

PLEASE CHECK WWW.MOLEX.COM FOR LATEST PART INFORMATION

Part Number: [0901522126](#)
Status: **Active**
Overview: [cgrid_sl_products](#)
Description: 2.54mm (.100") Pitch C-Grid III™ PC Board Connector, Dual Row, Right Angle, Straight PCB Pins 1.0µm (40µ") Tin (Sn), 26 Circuits

Documents:

[3D Model](#) [RoHS Certificate of Compliance \(PDF\)](#)
[Drawing \(PDF\)](#)

General

| | |
|----------------|-----------------------------------|
| Product Family | PCB Receptacles |
| Series | 90152 |
| Application | Board-to-Board |
| Overview | cgrid_sl_products |
| Product Name | C-Grid III™ |

Physical

| | |
|--------------------------------|-----------------|
| Circuits (Loaded) | 26 |
| Color - Resin | Black |
| Glow-Wire Compliant | No |
| Guide to Mating Part | No |
| Keying to Mating Part | None |
| Lock to Mating Part | No |
| Material - Metal | Phosphor Bronze |
| Material - Plating Mating | Tin |
| Material - Plating Termination | Tin |
| Material - Resin | Polyester |
| Number of Rows | 2 |
| Orientation | Right Angle |
| PC Tail Length (in) | 0.114 In |
| PC Tail Length (mm) | 2.90 mm |
| PCB Locator | No |
| PCB Retention | None |
| PCB Thickness Recommended (in) | 0.062 In |
| PCB Thickness Recommended (mm) | 1.60 mm |
| Packaging Type | Tube |
| Pitch - Mating Interface (in) | 0.100 In |
| Pitch - Mating Interface (mm) | 2.54 mm |
| Plating min: Mating (µin) | 40 |
| Plating min: Mating (µm) | 1.00 |
| Plating min: Termination (µin) | 40 |
| Plating min: Termination (µm) | 1.00 |
| Polarized to PCB | No |
| Temperature Range - Operating | -55°C to +125°C |
| Termination Interface: Style | Through Hole |

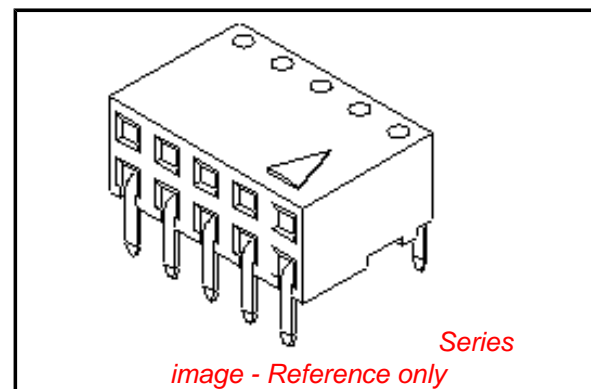
Electrical

| | |
|-------------------------------|------|
| Current - Maximum per Contact | 3A |
| Grounding to PCB | No |
| Voltage - Maximum | 350V |

Solder Process Data

Lead-free Process Capability [Wave Capable \(TH only\)](#)

Material Info



EU RoHS

**ELV and RoHS
Compliant**
**REACH SVHC
Contains SVHC: No**
**Halogen-Free
Status
Not Reviewed**

China RoHS



**Need more information on product
environmental compliance?**

Email productcompliance@molex.com
 For a multiple part number RoHS Certificate of Compliance, [click here](#)

Please visit the [Contact Us](#) section for any non-product compliance questions.

Search Parts in this Series

[90152Series](#)

Mates With

[90122](#) , [90131](#)

Reference - Drawing Numbers

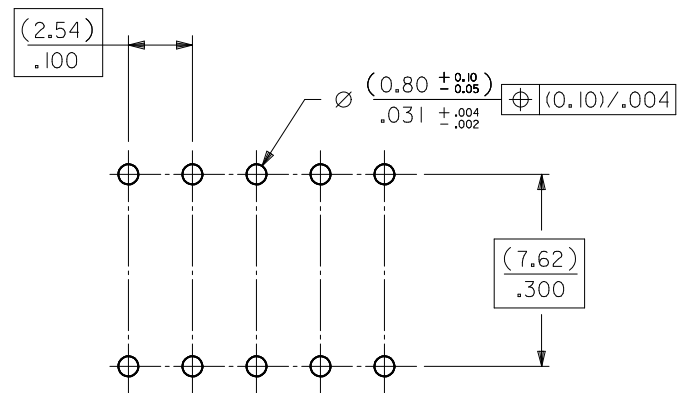
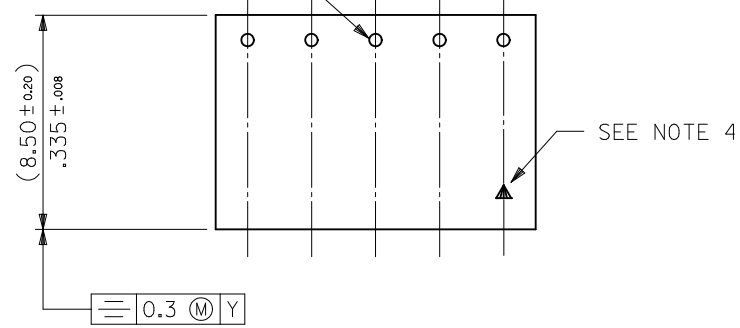
Sales Drawing

SDA-90152

This document was generated on 05/24/2010

PLEASE CHECK WWW.MOLEX.COM FOR LATEST PART INFORMATION

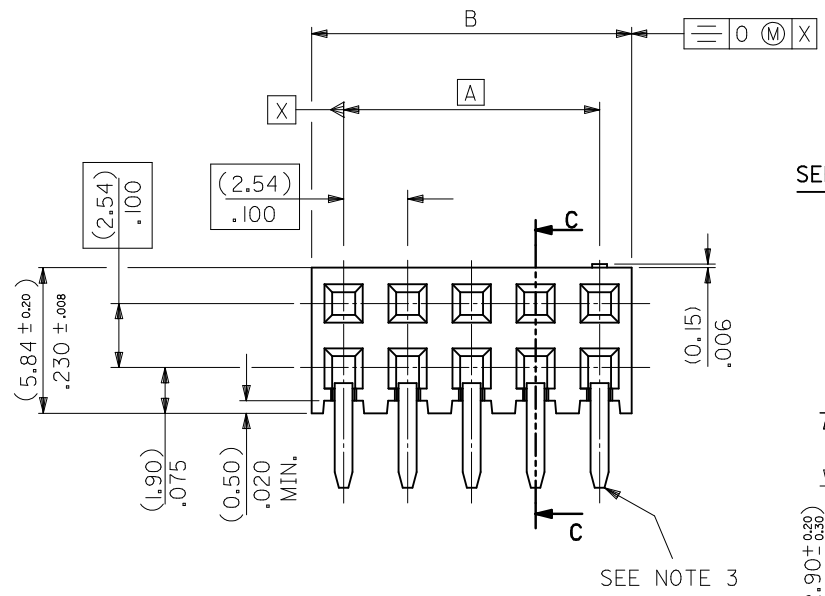
TERMINAL RETENTION FEATURE



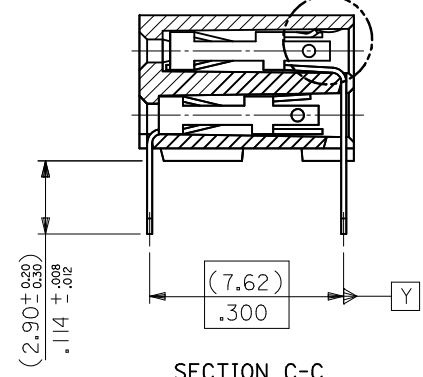
RECOMMENDED P.C. BOARD HOLE PATTERN

NOTES

- 1) CONTACT-PLATED PHOSPHOR BRONZE.
- 2) HOUSING-15% GLASS FILLED POLYESTER. COLOUR-BLACK.
- 3) COMPATABLE WITH PCB HOLE PATTERN.
- 4) THIS MARK INDICATES CIRCUIT NO.1.
- 5) FOR (0.635)/.025 SQ. MALE PINS THE LENGTH MUST BE (5.65)/.222 MIN & (7.00)/.276 MAX. TO ENSURE GOOD CONNECTION WITH CONTACT.
- 6) PRODUCT SPECIFICATION: PS-99020-0001
- 7) RECOMMENDED PCB THICKNESS 1.6MM

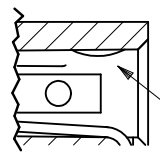


SEE DETAIL "A"



SECTION C-C

DETAIL "A"



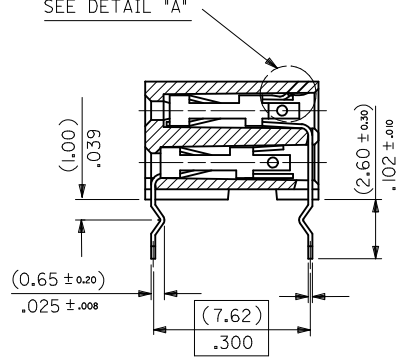
TERMINAL RETENTION FEATURE

| | | | | | | | | | |
|--|--|---------------------------------------|--|-----------------|--------------|--------------------|---|------------------------|--|
| CHG PKG QTY FOR 4CKT EC NO: S2010-0556 DRWN:ATSEE 2010/01/12 CHKD:SKANG 2010/01/14 APPR:MLONG 2010/01/14 | QUALITY SYMBOLS | GENERAL TOLERANCES (UNLESS SPECIFIED) | | DIMENSION STYLE | | SCALE | DESIGN UNITS | THIRD ANGLE PROJECTION | |
| | $F_{\sqrt{A}}=0$ $F_{\sqrt{C}}=0$ $F_{\sqrt{P}}=0$ | mm | INCH | MM ONLY | | NTS | METRIC | | |
| | | 4 PLACES | ± --- | ± --- | DRAWN BY | DATE | TITLE | | |
| | | 3 PLACES | ± --- | ± --- | CHECKED BY | DATE | C-GRID PCB CONN DR HORZ | | |
| | 2 PLACES | ± 0.20 | ± .008 | APPROVED BY | DATE | MOLEX INCORPORATED | | | |
| | 1 PLACE | ± --- | ± --- | MLONG | 2010/01/14 | DOCUMENT NO. | | | |
| | ANGULAR ± 2 ° | | DRAFT WHERE APPLICABLE MUST REMAIN WITHIN DIMENSIONS | | MATERIAL NO. | | SHEET NO. | | |
| | | | | | SEE TABLE | | SDA-90152 | | |
| | | | | | SIZE A3 | | THIS DRAWING CONTAINS INFORMATION THAT IS PROPRIETARY TO MOLEX INCORPORATED AND SHOULD NOT BE USED WITHOUT WRITTEN PERMISSION | | |

| | 10 | 9 | 8 | 7 | 6 | 5 | 4 | 3 | 2 | 1 | |
|---|------------|-----|---------|-------|---|-------|--------------|--|---|---|--|
| | PART NO. | CKT | DIM. A | | DIM. B ^(+0.00) _(-0.30) ^{+0.00} _{-0.12} | | PCS/ TUBE | | | | |
| F | 90152-XX04 | 4 | (2.54) | .100 | (5.08) | .200 | 109 | PLATING VERSION A | | | |
| | 06 | 6 | (5.08) | .200 | (7.62) | .300 | 73 | PRE-PLATED HOT DIP TIN 1.0 TO 2.5 microns (.00004" TO .00010"). | | | |
| | 08 | 8 | (7.62) | .300 | (10.16) | .400 | 55 | PLATING VERSION E | | | |
| | 10 | 10 | (10.16) | .400 | (12.70) | .500 | 44 | 1.27 TO 1.78 microns (.00005" TO .00007") NICKEL OVERALL, 0.38 TO 0.64 microns (.000015" TO .000025") GOLD ON CONTACT AREA (OVER NICKEL). 3 TO 5 microns (.00012" TO .00020") TIN ON SOLDER TAILS (OVER NICKEL). | | | |
| | 12 | 12 | (12.70) | .500 | (15.24) | .600 | 36 | PLATING VERSION F | | | |
| | 14 | 14 | (15.24) | .600 | (17.78) | .700 | 31 | 1.27 TO 1.78 microns (.00005" TO .00007") NICKEL OVERALL, 0.76 TO 1.0 microns (.00003" TO .00004") GOLD ON CONTACT AREA (OVER NICKEL). 3 TO 5 microns (.00012" TO .00020") TIN ON SOLDER TAILS (OVER NICKEL). | | | |
| E | 16 | 16 | (17.78) | .700 | (20.32) | .800 | 27 | PLATING VERSION G | | | |
| | 18 | 18 | (20.32) | .800 | (22.86) | .900 | 24 | 1.27 TO 1.78 microns (.00005" TO .00007") NICKEL OVERALL, 0.125 TO 0.20 microns (.000005" TO .0000079") GOLD ON CONTACT AREA (OVER NICKEL). 3 TO 5 microns (.00012" TO .00020") TIN ON SOLDER TAILS (OVER NICKEL). | | | |
| | 20 | 20 | (22.86) | .900 | (25.40) | 1.000 | 22 | 90152 - X X Y Y | | | |
| | 22 | 22 | | | | | 20 | INDICATES NO. OF CIRCUITS | | | |
| | 24 | 24 | (27.94) | 1.100 | (30.48) | 1.200 | 18 | PLATING CODE. 21 = VERSION A 22 = VERSION E 23 = VERSION F 25 = VERSION G | | | |
| | 26 | 26 | (30.48) | 1.200 | (33.02) | 1.300 | 16 | | | | |
| D | 28 | 28 | | | | | 14 | | | | |
| | 30 | 30 | (35.56) | 1.400 | (38.10) | 1.500 | 14 | | | | |
| | 32 | 32 | | | | | 13 | | | | |
| | 34 | 34 | (40.64) | 1.600 | (43.18) | 1.700 | 12 | | | | |
| | 36 | 36 | (43.18) | 1.700 | (45.72) | 1.800 | 12 | | | | |
| | 38 | 38 | (45.72) | 1.800 | (48.26) | 1.900 | 11 | | | | |
| | 40 | 40 | (48.26) | 1.900 | (50.80) | 2.000 | 11 | | | | |
| | 42 | 42 | | | | | 10 | | | | |
| | 44 | 44 | (53.34) | 2.100 | (55.88) | 2.200 | 10 | | | | |
| | 46 | 46 | | | | | 10 | | | | |
| C | 48 | 48 | | | | | 9 | | | | |
| | 50 | 50 | (60.96) | 2.400 | (63.50) | 2.500 | 8 | | | | |
| | 52 | 52 | | | | | 8 | | | | |
| | 54 | 54 | | | | | 8 | | | | |
| | 56 | 56 | (68.58) | 2.700 | (71.12) | 2.800 | 7 | | | | |
| | 58 | 58 | | | | | 7 | | | | |
| B | 60 | 60 | (73.66) | 2.900 | (76.20) | 3.000 | 7 | | | | |
| | 62 | 62 | | | | | 6 | | | | |
| | 90152-XX64 | 64 | (78.74) | 3.100 | (81.28) | 3.200 | 5 | | | | |

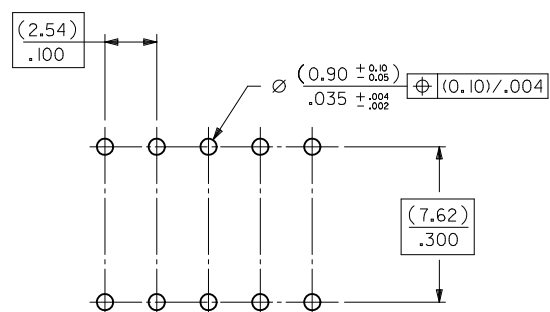
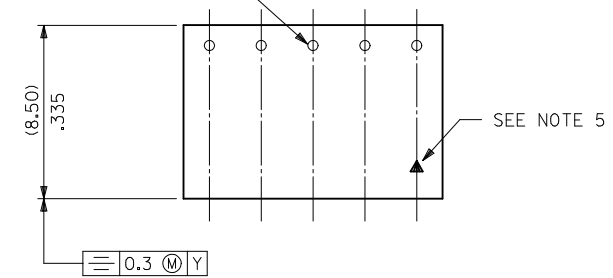
STANDARD PRODUCTS

| CHG PKG QTY FOR 4CKT EC NO: S2010-0556 DRWN:ATSEE 2010/01/12 CHKD:SKANG 2010/01/14 APPR:MLONG 2010/01/14 | QUALITY SYMBOLS | GENERAL TOLERANCES (UNLESS SPECIFIED) | DIMENSION STYLE | SCALE | DESIGN UNITS | THIRD ANGLE PROJECTION | | | | | | | | | | | | | | | | | | | | | | | | |
|--|---|---|-----------------|--|--------------|------------------------|----------------------------|------------|----------|-------|-------|------------|--------|-------------|---------|-------|-------|------------|-----|---|--------------|--------------|-----------|-----------|--|--|------|---|----|--|
| | $\nabla_A = 0$ $\nabla_C = 0$ $\nabla_P = 0$ | <table border="1"> <tr> <th></th> <th>mm</th> <th>INCH</th> </tr> <tr> <td>4 PLACES</td> <td>± ---</td> <td>± ---</td> </tr> <tr> <td>3 PLACES</td> <td>± ---</td> <td>± ---</td> </tr> <tr> <td>2 PLACES</td> <td>± 0.20</td> <td>± .008</td> </tr> <tr> <td>1 PLACE</td> <td>± ---</td> <td>± ---</td> </tr> </table> | | mm | INCH | 4 PLACES | ± --- | ± --- | 3 PLACES | ± --- | ± --- | 2 PLACES | ± 0.20 | ± .008 | 1 PLACE | ± --- | ± --- | MM ONLY | NTS | METRIC | | | | | | | | | | |
| | | mm | INCH | | | | | | | | | | | | | | | | | | | | | | | | | | | |
| | 4 PLACES | ± --- | ± --- | | | | | | | | | | | | | | | | | | | | | | | | | | | |
| 3 PLACES | ± --- | ± --- | | | | | | | | | | | | | | | | | | | | | | | | | | | | |
| 2 PLACES | ± 0.20 | ± .008 | | | | | | | | | | | | | | | | | | | | | | | | | | | | |
| 1 PLACE | ± --- | ± --- | | | | | | | | | | | | | | | | | | | | | | | | | | | | |
| DESCRIPTION | <table border="1"> <tr> <th>DRAWN BY</th> <th>DATE</th> <th>TITLE</th> </tr> <tr> <td>DB</td> <td>1987/07/14</td> <td>C-GRID PCB CONN DR HORZ</td> </tr> <tr> <th>CHECKED BY</th> <th>DATE</th> <th></th> </tr> <tr> <td>DB</td> <td>1987/07/14</td> <td></td> </tr> <tr> <th>APPROVED BY</th> <th>DATE</th> <th></th> </tr> <tr> <td>MLONG</td> <td>2010/01/14</td> <td></td> </tr> </table> | DRAWN BY | DATE | TITLE | DB | 1987/07/14 | C-GRID PCB CONN DR HORZ | CHECKED BY | DATE | | DB | 1987/07/14 | | APPROVED BY | DATE | | MLONG | 2010/01/14 | | <table border="1"> <tr> <th>MATERIAL NO.</th> <th>DOCUMENT NO.</th> </tr> <tr> <td>SEE TABLE</td> <td>SDA-90152</td> </tr> </table> | MATERIAL NO. | DOCUMENT NO. | SEE TABLE | SDA-90152 | <table border="1"> <tr> <th>SIZE</th> <th>THIS DRAWING CONTAINS INFORMATION THAT IS PROPRIETARY TO MOLEX INCORPORATED AND SHOULD NOT BE USED WITHOUT WRITTEN PERMISSION</th> </tr> <tr> <td>A3</td> <td></td> </tr> </table> | | SIZE | THIS DRAWING CONTAINS INFORMATION THAT IS PROPRIETARY TO MOLEX INCORPORATED AND SHOULD NOT BE USED WITHOUT WRITTEN PERMISSION | A3 | |
| DRAWN BY | DATE | TITLE | | | | | | | | | | | | | | | | | | | | | | | | | | | | |
| DB | 1987/07/14 | C-GRID PCB CONN DR HORZ | | | | | | | | | | | | | | | | | | | | | | | | | | | | |
| CHECKED BY | DATE | | | | | | | | | | | | | | | | | | | | | | | | | | | | | |
| DB | 1987/07/14 | | | | | | | | | | | | | | | | | | | | | | | | | | | | | |
| APPROVED BY | DATE | | | | | | | | | | | | | | | | | | | | | | | | | | | | | |
| MLONG | 2010/01/14 | | | | | | | | | | | | | | | | | | | | | | | | | | | | | |
| MATERIAL NO. | DOCUMENT NO. | | | | | | | | | | | | | | | | | | | | | | | | | | | | | |
| SEE TABLE | SDA-90152 | | | | | | | | | | | | | | | | | | | | | | | | | | | | | |
| SIZE | THIS DRAWING CONTAINS INFORMATION THAT IS PROPRIETARY TO MOLEX INCORPORATED AND SHOULD NOT BE USED WITHOUT WRITTEN PERMISSION | | | | | | | | | | | | | | | | | | | | | | | | | | | | | |
| A3 | | | | | | | | | | | | | | | | | | | | | | | | | | | | | | |
| REV | <table border="1"> <tr> <th>ANGULAR</th> <th>± 2 °</th> </tr> </table> | ANGULAR | ± 2 ° | DRAFT WHERE APPLICABLE MUST REMAIN WITHIN DIMENSIONS | | | | | | | | | | | | | | | | | | | | | | | | | | |
| ANGULAR | ± 2 ° | | | | | | | | | | | | | | | | | | | | | | | | | | | | | |

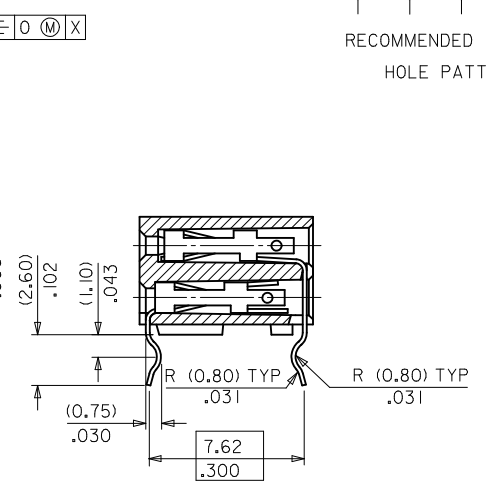
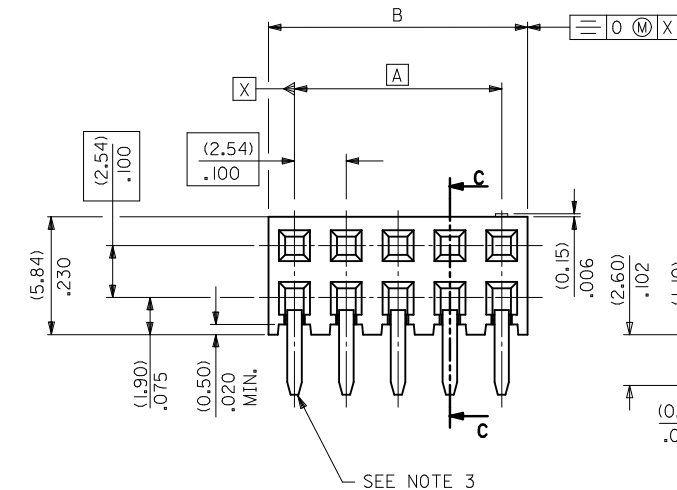


10 9 8 7 6 5 4 3 2 1

TERMINAL RETENTION FEATURE



RECOMMENDED P.C. BOARD HOLE PATTERN

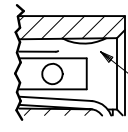


SECTION C-C

NOTES

- 1) CONTACT-PLATED PHOSPHOR BRONZE.
- 2) HOUSING-15% GLASS FILLED POLYESTER, COLOUR-BLACK.
- 3) COMPATIBLE WITH PCB HOLE PATTERN.
- 4) RECOMMENDED PC BOARD THICKNESS (1.4 ± .2) / .055 ± .008
- 5) THIS MARK INDICATES CIRCUIT NO.1.
- 6) FOR (0.635) / .025 SO. MALE PINS THE LENGTH MUST BE (5.65) / .222 MIN & (7.00) / .276 MAX. TO ENSURE GOOD CONNECTION WITH CONTACT.

DETAIL *A*



TERMINAL RETENTION FEATURE

| | | | | | | | |
|---|--------------------------------------|--|----------------------|-----------------------------------|---|-------------------------------|------------------------|
| CHG PKG QTY FOR 4CKT EC NO: S2010-0556 DRWNAT/SEE 2010/01/12 CHKD/SKANG 2010/01/14 APPR/MLONG 2010/01/14 | QUALITY SYMBOLS ∇=0 ∇=0 ∇=0 | GENERAL TOLERANCES (UNLESS SPECIFIED) | | DIMENSION STYLE MM ONLY | SCALE NTS | DESIGN UNITS METRIC | THIRD ANGLE PROJECTION |
| | | 4 PLACES ± --- ± --- 3 PLACES ± --- ± --- 2 PLACES ± .20 ± .008 1 PLACE ± --- ± --- | DRAWN BY DB | DATE 1987/07/14 | TITLE C-GRID PCB CONN DR HORZ | | |
| | | ANGULAR ± 2 ° | CHECKED BY DB | DATE 1987/07/14 | MOLEX INCORPORATED | | |
| | | DRAFT WHERE APPLICABLE MUST REMAIN WITHIN DIMENSIONS | APPROVED BY MLONG | DATE 2010/01/14 | DOCUMENT NO. SDA-90152 | SHEET NO. 3 OF 5 | |

9 8 7 6 5 4 3 2 1

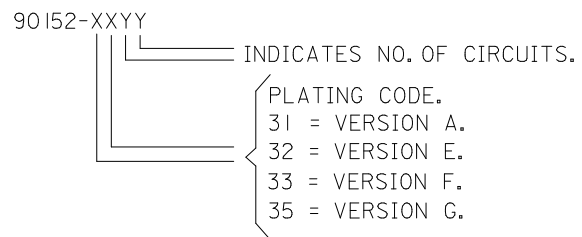
| | 10 | 9 | 8 | 7 | 6 | 5 | 4 | 3 | 2 | 1 |
|---|------------|-----|---------|-------|---|-------|--------------|---|---|---|
| | PART NO. | CKT | DIM. A | | DIM. B ^(+0.00) _(-0.30) ^{+0.00} _{-0.12} | | PCS/ TUBE | | | |
| F | 90152-XX04 | 4 | (2.54) | .100 | (5.08) | .200 | 109 | | | |
| | 06 | 6 | (5.08) | .200 | (7.62) | .300 | 73 | | | |
| | 08 | 8 | (7.62) | .300 | (10.16) | .400 | 55 | | | |
| | 10 | 10 | (10.16) | .400 | (12.70) | .500 | 44 | | | |
| | 12 | 12 | (12.70) | .500 | (15.24) | .600 | 36 | | | |
| | 14 | 14 | (15.24) | .600 | (17.78) | .700 | 31 | | | |
| | 16 | 16 | (17.78) | .700 | (20.32) | .800 | 27 | | | |
| | 18 | 18 | (20.32) | .800 | (22.86) | .900 | 24 | | | |
| E | 20 | 20 | (22.86) | .900 | (25.40) | 1.000 | 22 | | | |
| | 22 | 22 | | | | | 20 | | | |
| | 24 | 24 | (27.94) | 1.100 | (30.48) | 1.200 | 18 | | | |
| | 26 | 26 | (30.48) | 1.200 | (33.02) | 1.300 | 16 | | | |
| | 28 | 28 | | | | | 14 | | | |
| | 30 | 30 | (35.56) | 1.400 | (38.10) | 1.500 | 14 | | | |
| | 32 | 32 | | | | | 13 | | | |
| | 34 | 34 | (40.64) | 1.600 | (43.18) | 1.700 | 12 | | | |
| D | 36 | 36 | (43.18) | 1.700 | (45.72) | 1.800 | 12 | | | |
| | 38 | 38 | (45.72) | 1.800 | (48.26) | 1.900 | 11 | | | |
| | 40 | 40 | (48.26) | 1.900 | (50.80) | 2.000 | 11 | | | |
| | 42 | 42 | | | | | 10 | | | |
| | 44 | 44 | (53.34) | 2.100 | (55.88) | 2.200 | 10 | | | |
| | 46 | 46 | | | | | 10 | | | |
| | 48 | 48 | | | | | 9 | | | |
| | 50 | 50 | (60.96) | 2.400 | (63.50) | 2.500 | 8 | | | |
| C | 52 | 52 | | | | | 8 | | | |
| | 54 | 54 | | | | | 8 | | | |
| | 56 | 56 | (68.58) | 2.700 | (71.12) | 2.800 | 7 | | | |
| | 58 | 58 | | | | | 7 | | | |
| | 60 | 60 | (73.66) | 2.900 | (76.20) | 3.000 | 7 | | | |
| | 62 | 62 | | | | | 6 | | | |
| B | 90152-XX64 | 64 | (78.74) | 3.100 | (81.28) | 3.200 | 5 | | | |

PLATING VERSION A
PRE-PLATED HOT DIP TIN
1.0 TO 2.5 microns (.00004" TO .00010").

PLATING VERSION E
1.27 TO 1.78 microns (.00005" TO .00007") NICKEL
OVERALL, 0.38 TO 0.64 microns (.000015" TO .000025")
GOLD ON CONTACT AREA (OVER NICKEL).
3 TO 5 microns (.00012" TO .00020") TIN
ON SOLDER TAILS (OVER NICKEL).

PLATING VERSION F.
1.27 TO 1.78 microns (.00005" TO .00007") NICKEL
OVERALL, 0.76 TO 1.0 microns (.00003" TO .00004")
GOLD ON CONTACT AREA (OVER NICKEL).
3 TO 5 microns (.00012" TO .00020") TIN
ON SOLDER TAILS (OVER NICKEL).

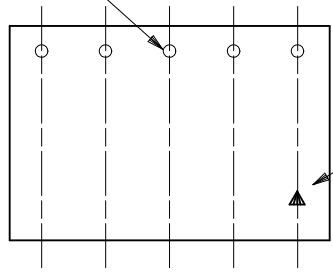
PLATING VERSION G.
1.27 TO 1.78 microns (.00005" TO .00007") NICKEL
OVERALL, 0.125 TO 0.20 microns (.000005" TO .0000079")
GOLD ON CONTACT AREA (OVER NICKEL).
3 TO 5 microns (.00012" TO .00020") TIN
ON SOLDER TAILS (OVER NICKEL).



| | | | | | | | | |
|---|--|--------------------|---|---------------------------------------|--------------------|-----------|--------------|----------------------------|
| A | CHG PKG QTY FOR 4CKT EC NO: S2010-0556 DRWN:ATSEE 2010/01/12 CHKD:SKANG 2010/01/14 APPR:MLONG 2010/01/14 | REV DESCRIPTION | QUALITY SYMBOLS | GENERAL TOLERANCES (UNLESS SPECIFIED) | DIMENSION STYLE | SCALE | DESIGN UNITS | THIRD ANGLE PROJECTION |
| | | | $\nabla_A=0$ | mm INCH | MM ONLY | NTS | METRIC | |
| | | | $\nabla_C=0$ | 4 PLACES ± --- ± --- | DRAWN BY DATE | | | C-GRID PCB CONN DR HORZ |
| | | | $\nabla_P=0$ | 3 PLACES ± --- ± --- | DB 1987/07/14 | | | |
| | 2 PLACES ± 0.20 ± .008 | CHECKED BY DATE | | | MOLEX INCORPORATED | | | |
| | 1 PLACE ± --- ± --- | DB 1987/07/14 | | | | | | |
| | ANGULAR ± 2 ° | APPROVED BY DATE | | | SDA-90152 | | | |
| | | MLONG 2010/01/14 | | | | | | |
| | DRAFT WHERE APPLICABLE MUST REMAIN WITHIN DIMENSIONS | MATERIAL NO. | | | DOCUMENT NO. | SHEET NO. | | |
| | | SEE TABLE | | | | 4 OF 5 | | |
| | | SIZE A3 | THIS DRAWING CONTAINS INFORMATION THAT IS PROPRIETARY TO MOLEX INCORPORATED AND SHOULD NOT BE USED WITHOUT WRITTEN PERMISSION | | | | | |

| PART NUMBER | CKT. SIZE | PIN VOID | KINKED PINS | NO. PER TUBE |
|-------------|-----------|----------|-------------|--------------|
| 90152-6234 | 2 X 17 | 21 | NONE | 12 |
| 90152-5242 | 2 X 21 | 5 | NONE | 10 |
| 90152-7130 | 2 X 15 | NONE | 1,2 & 29,30 | 14 |

TERMINAL RETENTION FEATURE



SEE NOTE 2.

NOTES

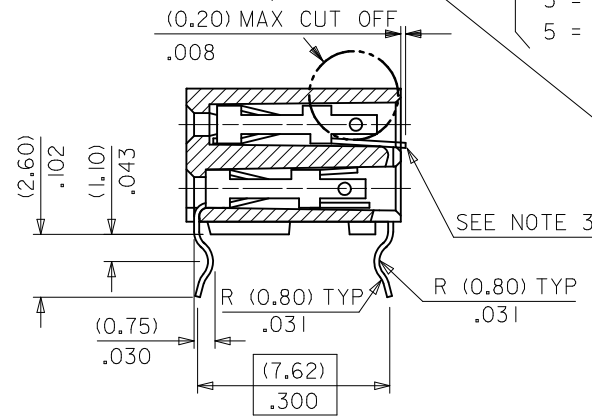
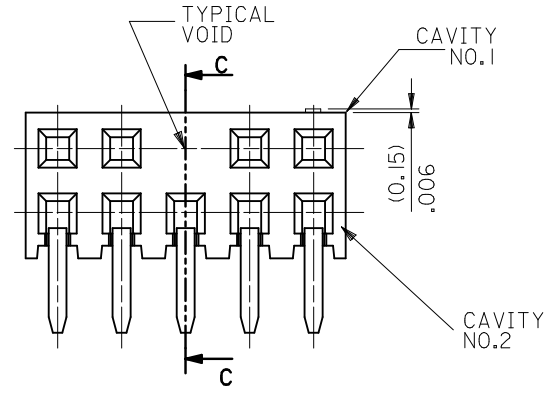
- 1) FOR DIMENSIONS SEE SHEET 1.
- 2) THIS MARK INDICATES CIRCUIT NO.1.
- 3) SOLDER TAIL OF TERMINAL IN VOIDED CAVITY MUST BE CROPPED AS SHOWN OR TERMINAL REMOVED.

90152-XXYY

INDICATES NO. OF CIRCUITS.
 PLATING CODE.
 1 = VERSION A.
 2 = VERSION E.
 3 = VERSION F.
 5 = VERSION G.

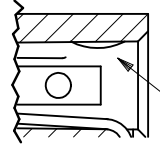
OPTIONS
 2 = REGULAR
 3 = KINKED
 5 = VOIDS
 6 = KINKS & VOIDS
 7 = SELECTIVE KINKS

SEE DETAIL "A"



SECTION C-C

DETAIL "A"



TERMINAL RETENTION FEATURE

| | | | | | | | | | | | |
|--|-------------|-------------------------------|---|--------|-----------------|-------------|------------|----------------------------|------------------------|--|--|
| CHG PKG QTY FOR 4CKT EC NO: S2010-0556 DRWN:ATSEE 2010/01/12 CHKD:SKANG 2010/01/14 APPR:MLONG 2010/01/14 | DESCRIPTION | QUALITY SYMBOLS | GENERAL TOLERANCES (UNLESS SPECIFIED) | | DIMENSION STYLE | | SCALE | DESIGN UNITS | THIRD ANGLE PROJECTION | | |
| | | $F_A=0$ $F_C=0$ $F_P=0$ | mm | INCH | MM ONLY | | NTS | METRIC | | | |
| B | REV | | 4 PLACES | ± --- | ± --- | DRAWN BY | DATE | TITLE | | | |
| | | | 3 PLACES | ± --- | ± --- | DB | 1987/07/14 | C-GRID PCB CONN DR HORZ | | | |
| | | | 2 PLACES | ± 0.20 | ± .008 | CHECKED BY | DATE | MOLEX INCORPORATED | | | |
| | | | 1 PLACE | ± --- | ± --- | APPROVED BY | DATE | DOCUMENT NO. | | | |
| | | | ANGULAR ± 2 ° | | MLONG | | 2010/01/14 | SDA-90152 | | | |
| | | | DRAFT WHERE APPLICABLE MUST REMAIN WITHIN DIMENSIONS | | MATERIAL NO. | | SEE TABLE | | SHEET NO. | | |
| | | | | | SIZE | | A3 | | 5 OF 5 | | |
| | | | THIS DRAWING CONTAINS INFORMATION THAT IS PROPRIETARY TO MOLEX INCORPORATED AND SHOULD NOT BE USED WITHOUT WRITTEN PERMISSION | | | | | | | | |

SEE CHART
SDA-90152

| PART NO. | NO. OF CKTS. | DIM. A | | DIM. B $\begin{matrix} (+0.00 \\ 0.30 \\ +.000 \\ -.012 \end{matrix}$ | | NO. PER TUBE |
|------------|--------------|-----------|-------|---|-------|--------------|
| 90152-XX04 | 4 | (2.54) | .100 | (5.08) | .200 | 110 |
| ▲ ▲ 06 | 6 | (5.08) | .200 | (7.62) | .300 | 73 |
| 08 | 8 | (7.62) | .300 | (10.16) | .400 | 55 |
| 10 | 10 | (10.16) | .400 | (12.70) | .500 | 44 |
| 12 | 12 | (12.70) | .500 | (15.24) | .600 | 36 |
| 14 | 14 | (15.24) | .600 | (17.78) | .700 | 31 |
| 16 | 16 | (17.78) | .700 | (20.32) | .800 | 27 |
| 18 | 18 | (20.32) | .800 | (22.86) | .900 | 24 |
| 20 | 20 | (22.86) | .900 | (25.40) | 1.000 | 22 |
| 22 | 22 | | | | | 20 |
| 24 | 24 | (27.94) | 1.100 | (30.48) | 1.200 | 18 |
| 26 | 26 | (30.48) | 1.200 | (33.02) | 1.300 | 16 |
| 28 | 28 | | | | | 14 |
| 30 | 30 | (35.56) | 1.400 | (38.10) | 1.500 | 14 |
| 32 | 32 | | | | | 13 |
| 34 | 34 | (40.64) | 1.600 | (43.18) | 1.700 | 12 |
| 36 | 36 | (43.18) | 1.700 | (45.72) | 1.800 | 12 |
| 38 | 38 | (45.72) | 1.800 | (48.26) | 1.900 | 11 |
| 40 | 40 | (48.26) | 1.900 | (50.80) | 2.000 | 11 |
| 42 | 42 | | | | | 10 |
| 44 | 44 | (53.34) | 2.100 | (55.88) | 2.200 | 10 |
| 46 | 46 | | | | | 10 |
| 48 | 48 | | | | | 9 |
| 50 | 50 | (60.96) | 2.400 | (63.50) | 2.500 | 8 |
| 52 | 52 | | | | | 8 |
| 54 | 54 | | | | | 8 |
| 56 | 56 | (68.58) | 2.700 | (71.12) | 2.800 | 7 |
| 58 | 58 | | | | | 7 |
| 60 | 60 | (73.66) | 2.900 | (76.20) | 3.000 | 7 |
| ▼ ▼ 62 | 62 | | | | | 6 |
| 90152-XX64 | 64 | (78.74) | 3.100 | (81.28) | 3.200 | 5 |

PLATING VERSION A

PRE-PLATED HOT DIP TIN
1.0 TO 2.5 microns (.00004" TO .00010").

PLATING VERSION E

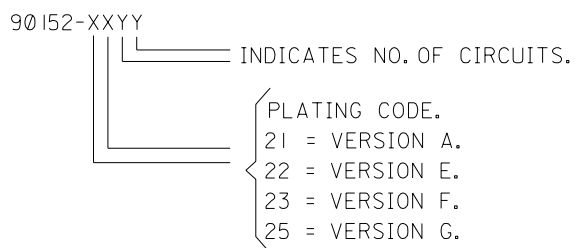
1.27 TO 1.78 microns (.00005" TO .00007") NICKEL
OVERALL, 0.38 TO 0.64 microns (.000015" TO .000025")
GOLD ON CONTACT AREA (OVER NICKEL).
3 TO 5 microns (.00012" TO .00020") TIN
ON SOLDER TAILS (OVER NICKEL).

PLATING VERSION F.

1.27 TO 1.78 microns (.00005" TO .00007") NICKEL
OVERALL, 0.76 TO 1.0 microns (.00003" TO .00004")
GOLD ON CONTACT AREA (OVER NICKEL).
3 TO 5 microns (.00012" TO .00020") TIN
ON SOLDER TAILS (OVER NICKEL).

PLATING VERSION G.

1.27 TO 1.78 microns (.00005" TO .00007") NICKEL
OVERALL, 0.125 TO 0.20 microns (.000005" TO .0000079")
GOLD ON CONTACT AREA (OVER NICKEL).
3 TO 5 microns (.00012" TO .00020") TIN
ON SOLDER TAILS (OVER NICKEL).



STANDARD PRODUCTS

FOR PREVIOUS DRAWING ISSUES SEE MRI.

LEAD FREE CONVERSION NEW BORDER ADDED
EC NO. E2004-0610
DRWN: PSHEAHAN 08/01/2004
CHK: APPR:
AD

QUALITY SYMBOLS
MAJOR
CRITICAL

GENERAL TOLERANCES: (UNLESS SPECIFIED)

| | | |
|----------|-----|------|
| | mm | INCH |
| 4 PLACES | ±0. | ±. |
| 3 PLACES | ±0. | ±. |
| 2 PLACES | ±0. | ±. |
| 1 PLACE | ±0. | ±. |

ANGULAR: ± °

DRAFT WHERE APPLICABLE MUST REMAIN WITHIN DIMENSIONS

SCALE 5:1
DESIGN UNITS mm INCH
DRAWN BY & DATE DB 14/ 7/87
CHECKED BY & DATE
APPROVED BY & DATE
CAD FILENAME s90152x2 DGN

DIMENSIONS: mm INCH mm INCH ONLY

SHT REV
REVISE ON CAD ONLY

TITLE: C-GRID III DUAL ROW HORIZONTAL P.C. BOARD CONNECTOR

MOLEX MOLEX INCORPORATED

MATERIAL NO. SEE CHART
DRAWING NO. SDA-90152
SHEET NO. 20F

THIS DRAWING CONTAINS INFORMATION THAT IS PROPRIETARY TO MOLEX INCORPORATED AND SHOULD NOT BE USED WITHOUT WRITTEN PERMISSION.

SIZE B