

PLEASE CHECK WWW.MOLEX.COM FOR LATEST PART INFORMATION

Part Number: [0900750035](#)
Status: **Active**
Overview: [modular_plugs_jacks](#)
Description: Modular Plug, Short Body, 6/4

Documents:

[3D Model](#) [Product Specification PS-90075 \(PDF\)](#)
[Drawing \(PDF\)](#) [RoHS Certificate of Compliance \(PDF\)](#)

Agency Certification

UL E107635

General

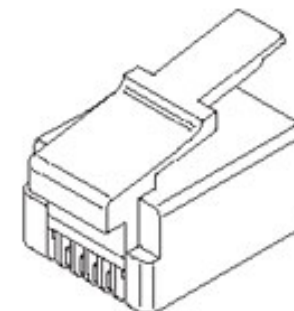
Product Family Modular Jacks/Plugs
 Series [90075](#)
 Component Type Wire Plug
 Magnetic No
 Overview [modular_plugs_jacks](#)
 Performance Category 3
 Power over Ethernet (PoE) N/A
 Product Name RJ11

Physical

Boot Color N/A
 Color - Resin Clear
 Durability (mating cycles max) 500
 Flammability 94V-0
 Inverted / Top Latch N/A
 Lightpipes/LEDs None
 Material - Metal Phosphor Bronze
 Material - Plating Mating Gold
 Material - Plating Termination Tin
 Material - Resin Polycarbonate
 Orientation N/A
 PCB Retention None
 Packaging Type Bag
 Pitch - Mating Interface (in) 0.040 In
 Pitch - Mating Interface (mm) 1.02 mm
 Pitch - Term. Interface (in) 0.040 In
 Pitch - Term. Interface (mm) 1.02 mm
 Plating min: Mating (µin) 50.8
 Plating min: Mating (µm) 1.27
 Plating min: Termination (µin) 50
 Plating min: Termination (µm) 1.27
 Ports 1
 Positions / Loaded Contacts 6/4
 Surface Mount Compatible (SMC) No
 Temperature Range - Operating -40°C to +60°C
 Termination Interface: Style N/A
 Waterproof / Dustproof No
 Wire/Cable Type Flat Oval

Electrical

Current - Maximum per Contact 1.5A
 Grounding to Panel N/A
 Shielded No



Series

image - Reference only

EU RoHS

ELV and RoHS Compliant
REACH SVHC
 Not Reviewed
Halogen-Free Status

China RoHS



Need more information on product environmental compliance?

Email productcompliance@molex.com
 For a multiple part number RoHS Certificate of Compliance, [click here](#)

Please visit the [Contact Us](#) section for any non-product compliance questions.

Search Parts in this Series

[90075Series](#)

Mates With

[FCC 68 Jacks...](#)

Application Tooling | FAQ

Tooling specifications and manuals are found by selecting the products below. Crimp Height Specifications are then contained in the Application Tooling Specification document.

Global

Description	Product #
IDT - Manual Press	0011201273
Parallel Action	0690081121
Handtool for 90075	
Modular Plug, 6/4	
Circuit, Short Body	

Voltage - Maximum 125V DC

Material Info

Old Part Number A-90075-0035

Reference - Drawing Numbers

Application Specification AS-90075

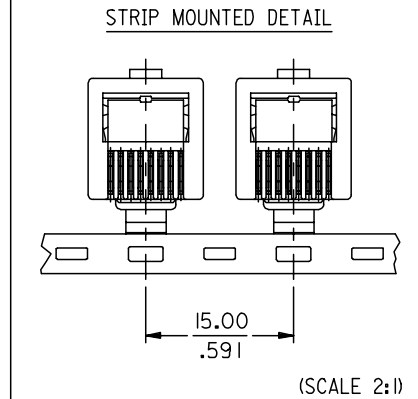
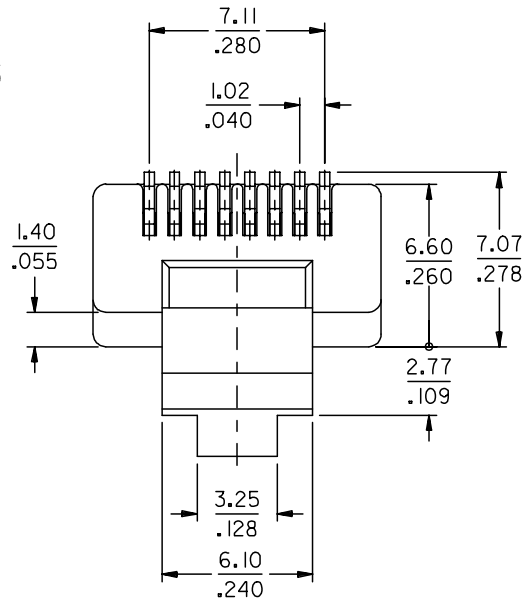
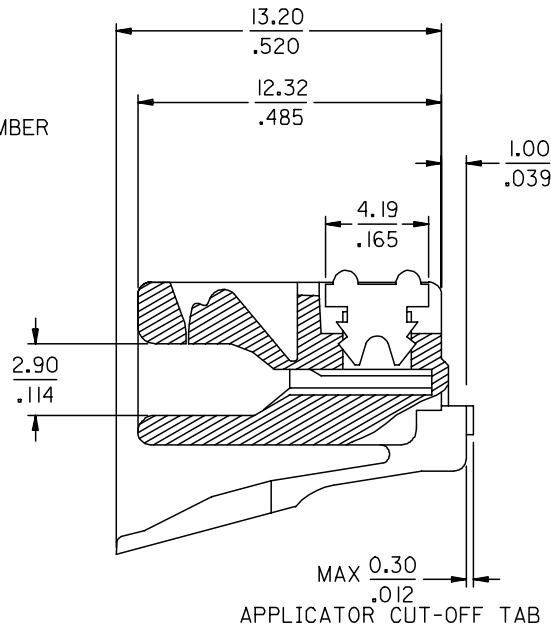
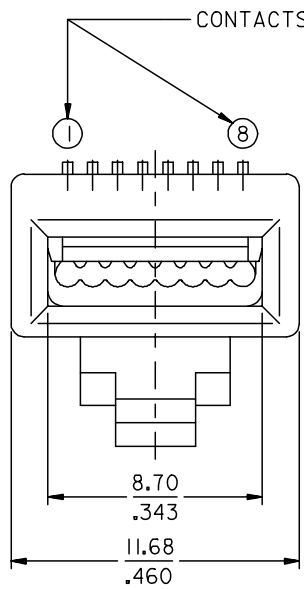
Packaging Specification PK-90075-003

Product Specification PS-90075

Sales Drawing SDA-90075

This document was generated on 06/08/2010

PLEASE CHECK WWW.MOLEX.COM FOR LATEST PART INFORMATION



NOTES:

- 1- MATERIAL:
 HOUSING: POLYCARBONATE CLEAR.
 TERMINAL: (0.38)/.015 THICK PHOSPHOR BRONZE.
 PLATING: (1.27)/0.050 MIN. GOLD IN CONTACT AREA
 (0.00127)/.000050 MIN. PURE TIN IN PIERCE AREA BOTH
 OVER (0.00127)/.000050 MIN. NICKEL.
- 2- PRODUCT INTENDED TO TERMINATE FLAT OVAL CABLE
 CONFORMING TO REA BULLETIN 345-80-PE 75 HAVING
 (0.94)/.037 Ø MAXI OVER CONDUCTORS INSULATION.
- 3- PRODUCT SPECIFICATION: PS-90075
- 4- APPLICATION SPECIFICATION: AS-90075.

CKTS	NUMBER OF LOADED CONTACTS	STRIP MOUNTED		LOOSE PIECE	
		PART NUMBER	TOOLED	PART NUMBER	TOOLED
8	8	90075-0139	YES	90075-0141	YES

2	N
1	NI

EC NO: MG2005-0418 DRWN: MARTIN 2005/06/16 CHKD: FCARABETTA 2005/06/16 APPR: KNOLLER 2005/06/16 N1	QUALITY SYMBOLS ▽=0 ▽=0	GENERAL TOLERANCES (UNLESS SPECIFIED)	DIMENSION STYLE MM/IN	SCALE 5:1	DESIGN UNITS METRIC	THIRD ANGLE PROJECTION														
		<table border="1"> <tr> <th></th> <th>mm</th> <th>INCH</th> </tr> <tr> <td>4 PLACES</td> <td>± ---</td> <td>± ---</td> </tr> <tr> <td>3 PLACES</td> <td>± ---</td> <td>± .010</td> </tr> <tr> <td>2 PLACES</td> <td>± 0.25</td> <td>± .014</td> </tr> <tr> <td>1 PLACE</td> <td>± 0.35</td> <td>± ---</td> </tr> </table>		mm	INCH	4 PLACES	± ---	± ---	3 PLACES	± ---	± .010	2 PLACES	± 0.25	± .014	1 PLACE	± 0.35	± ---	DRAWN BY FB	DATE	TITLE 8 POSITIONS MODULAR PLUG W.E. TYPE
			mm	INCH																
		4 PLACES	± ---	± ---																
3 PLACES	± ---	± .010																		
2 PLACES	± 0.25	± .014																		
1 PLACE	± 0.35	± ---																		
DRAFT WHERE APPLICABLE MUST REMAIN WITHIN DIMENSIONS	CHECKED BY TB	DATE	APPROVED BY JB	DATE	MOLEX MOLEX INCORPORATED	SHEET NO. 1 OF 2														
		SEE CHART	MATERIAL NO.	DOCUMENT NO. SDA-90075	THIS DRAWING CONTAINS INFORMATION THAT IS PROPRIETARY TO MOLEX INCORPORATED AND SHOULD NOT BE USED WITHOUT WRITTEN PERMISSION															