

PLEASE CHECK WWW.MOLEX.COM FOR LATEST PART INFORMATION

Part Number: [0877595276](#)
Status: **Active**
Overview: milligrid
Description: 2.00mm (.079") Pitch Milli-Grid™ Header, Surface Mount, Vertical, 8 Circuits, 0.38µm (15µ") Gold (Au) Selective Plating, with Press-fit Plastic Pegs, Pick-and-Place Cap, Tube Packaging, Lead-free

Documents:

[3D Model](#) [Product Specification PS-87761-100 \(PDF\)](#)
[Drawing \(PDF\)](#) [RoHS Certificate of Compliance \(PDF\)](#)

Agency Certification

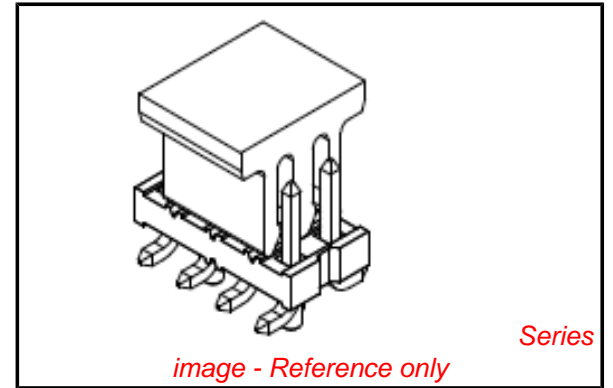
UL E29179

General

Product Family PCB Headers
 Series [87759](#)
 Application Board-to-Board
 Overview [milligrid](#)
 Product Name Milli-Grid™

Physical

Breakaway Yes
 Circuits (Loaded) 8
 Circuits (maximum) 8
 Color - Resin Black
 Durability (mating cycles max) 100
 First Mate / Last Break No
 Flammability 94V-0
 Glow-Wire Compliant No
 Guide to Mating Part No
 Keying to Mating Part None
 Lock to Mating Part None
 Mated Height (in) 0.378 In
 Mated Height (mm) 9.60 mm
 Material - Metal Phosphor Bronze
 Material - Plating Mating Gold
 Material - Plating Termination Tin
 Material - Resin Nylon
 Number of Rows 2
 Orientation Vertical
 PCB Locator Yes
 PCB Retention None
 Packaging Type Tube
 Pitch - Mating Interface (in) 0.079 In
 Pitch - Mating Interface (mm) 2.00 mm
 Pitch - Term. Interface (in) 0.079 In
 Pitch - Term. Interface (mm) 2.00 mm
 Plating min: Mating (µin) 15
 Plating min: Mating (µm) 0.38
 Polarized to Mating Part No
 Polarized to PCB No
 Robotic Placement Pick and Place Cap
 Shrouded No
 Stackable Yes
 Temperature Range - Operating -55°C to +105°C



EU RoHS

ELV and RoHS Compliant
REACH SVHC Contains SVHC: No
Halogen-Free Status

China RoHS



Not Halogen-Free

Need more information on product environmental compliance?

Email productcompliance@molex.com
 For a multiple part number RoHS Certificate of Compliance, [click here](#)

Please visit the [Contact Us](#) section for any non-product compliance questions.

Search Parts in this Series

[87759Series](#)

Mates With

[79107](#) Milli-Grid™ Receptacle, Vertical, Through Hole. [79108](#) Milli-Grid™ Flex-to-Board, Vertical Receptacle. Milli-Grid™ Receptacle, Surface Mount. [79109](#). [87381](#)

Termination Interface: Style Surface Mount

Electrical

Current - Maximum per Contact 2A
Voltage - Maximum 125V

Solder Process Data

Duration at Max. Process Temperature (seconds) 10
Lead-free Process Capability Reflow Capable (SMT only)
Max. Cycles at Max. Process Temperature 3
Process Temperature max. C 260

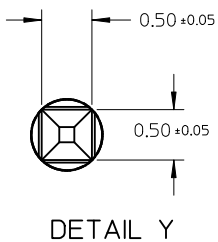
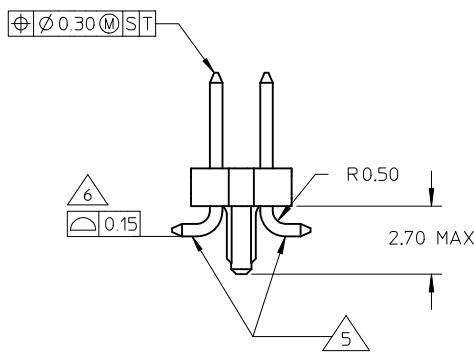
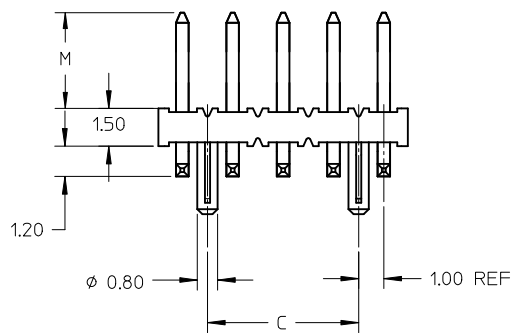
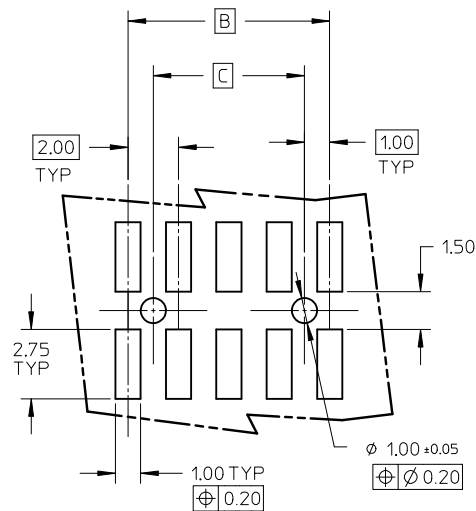
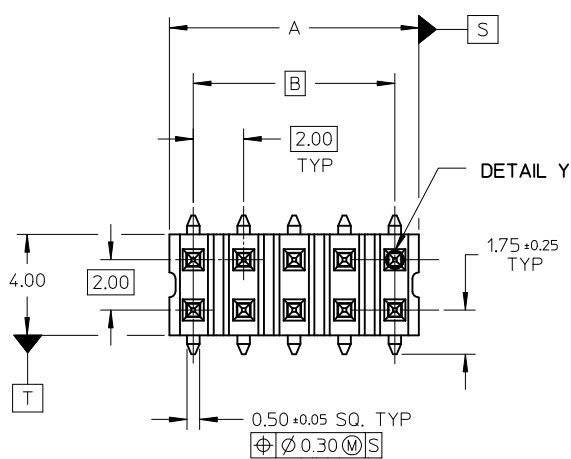
Material Info

Reference - Drawing Numbers

Packaging Specification PK-89990-476
Product Specification PS-87761-100
Sales Drawing SD-87759-208

This document was generated on 05/25/2010

PLEASE CHECK WWW.MOLEX.COM FOR LATEST PART INFORMATION



NOTE:

1. MATERIAL:
HSG & CAP - NYLON, GLASS-FILLED,
UL 94V-0, COLOUR BLACK

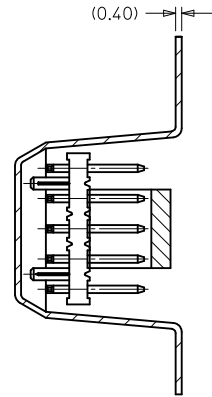
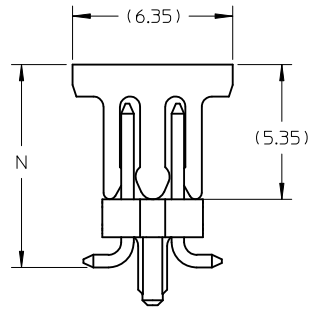
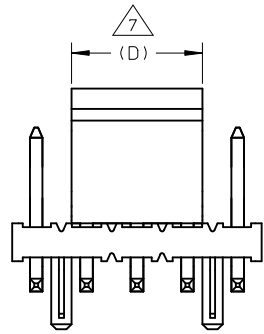
PIN - 0.50 SQ PHOSPHOR BRONZE
2. PLATING:
0.38um MIN GOLD PLATE AT CONTACT AREA,
TIN PLATE AT SOLDER AREA,
BOTH OVER NICKEL UNDERPLATE
3. PIN PUSHOUT FORCE: 1KG MIN IN EITHER DIRECTION
4. PRODUCT SPEC PS-87761-100 APPLIES.
- 5 BEND DEPRESSION IS ACCEPTABLE SO LONG AS IT DOES NOT AFFECT THE OVERALL COPLANARITY OF TAIL.
- 6 COPLANARITY IS TO BE MEASURED BY RESTING THE SOLDER TAIL ON A GAUGE SURFACE.
- 7 CAP TO BE LOCATED AS CENTRAL OF PART AS POSSIBLE TOP SURFACE OF CAP TO BE FLAT FOR THE PURPOSE OF PICK & PLACE BY VACUUM SUCTION NOZZLE.
8. FOR ILLUSTRATION PURPOSES, 10CKT IS SHOWN (WITH TAPE & REEL ON 2ND SHEET). SHT 3 INDICATES THE TYPE OF EMBOSSED USED IN GENERAL.
9. TUBE LENGTH IS 560MM REF STANDARD.
10. RECOMMENDED PCB BOARD THK IS 1.60±0.10 MM.

CHG DIM M. EWR#1191 EC NO: S2010-0237 DRW:WATSEE 2009/12/16 CHK:D:SKANG 2009/12/17 APPR:MLONG 2009/12/21	DESCRIPTION D3	QUALITY SYMBOLS	GENERAL TOLERANCES (UNLESS SPECIFIED)	DIMENSION STYLE MM ONLY	SCALE NTS	DESIGN UNITS METRIC	THIRD ANGLE PROJECTION		
		$F_A=0$ $F_C=0$ $F_P=0$	mm INCH 4 PLACES ± --- ± --- 3 PLACES ± --- ± --- 2 PLACES ± 0.2 ± --- 1 PLACE ± --- ± --- ANGULAR ± 3 °	DRAWN BY DATE KSEE 2003/12/22 CHECKED BY DATE KCL ING 2004/01/12 APPROVED BY DATE MLONG 2009/12/17	TITLE	CUSTOM HEADER MGRID, 2MM DUAL ROW HDR WITH PEG, SMT MOLEX INCORPORATED			
		DRAFT WHERE APPLICABLE MUST REMAIN WITHIN DIMENSIONS	SEE TABLE	MATERIAL NO.	DOCUMENT NO.				
					THIS DRAWING CONTAINS INFORMATION THAT IS PROPRIETARY TO MOLEX INCORPORATED AND SHOULD NOT BE USED WITHOUT WRITTEN PERMISSION				

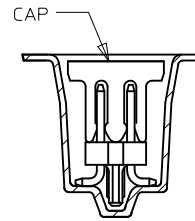
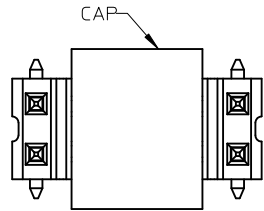
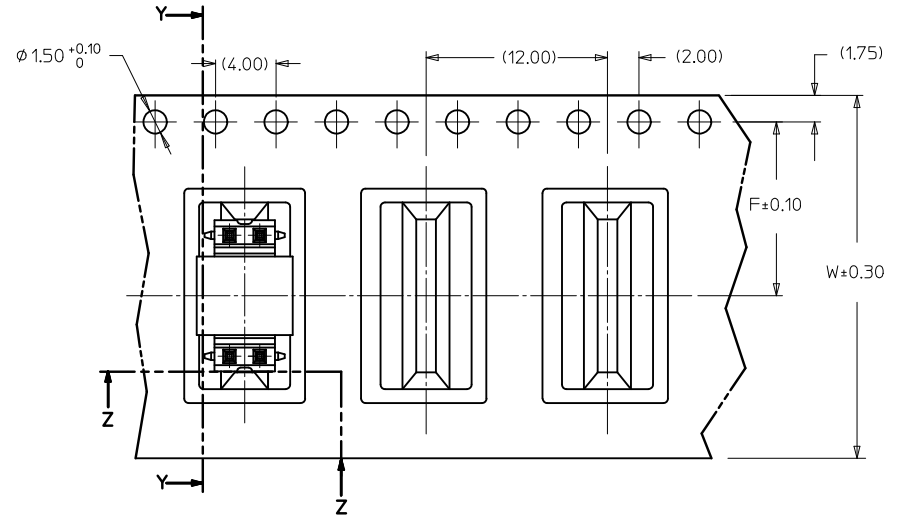
CAP TYPE	D
C1	5.20
C2	4.60

EMBOSSED TYPE "A"

PART WITH CAP IN TAPE & REEL ORIENTATION

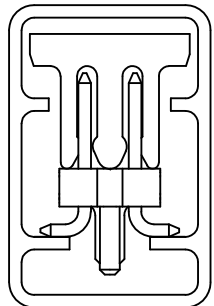


SECTION Y-Y



SECTION Z-Z

CUSTOMER PULL OUT DIRECTION

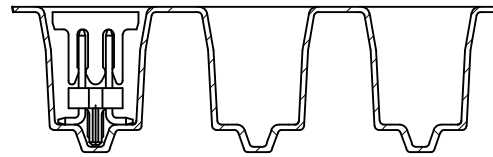
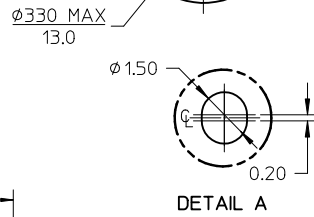
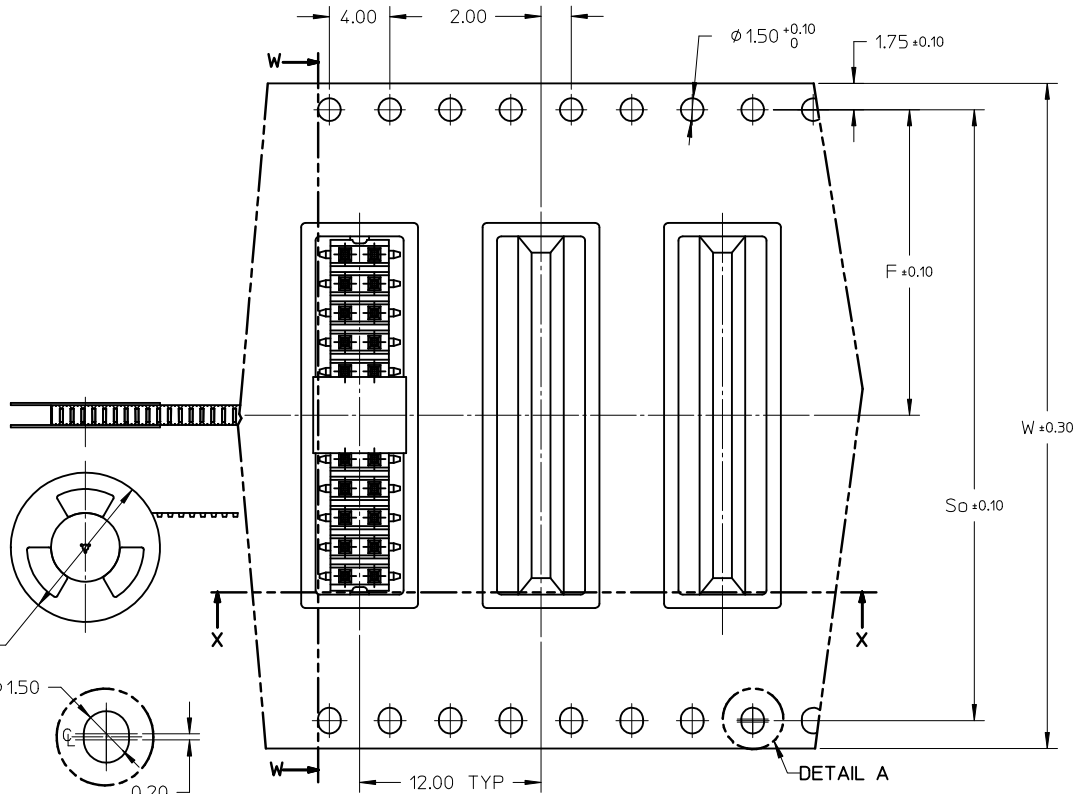
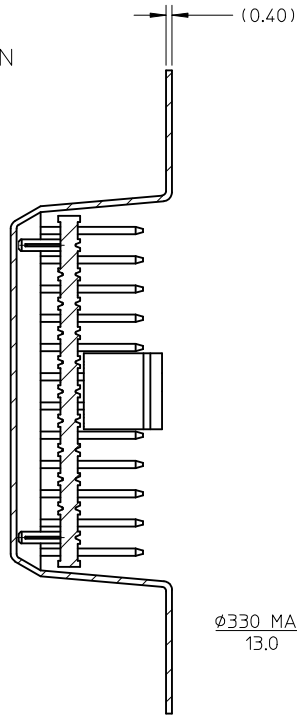


PART WITH CAP IN TUBE ORIENTATION

CHG DIM M. EWR#1191 EC NO: S2010-0237 DRWN:ATSEE 2009/12/16 CHKD:SKANG 2009/12/17 APPR:MLONG 2009/12/21	DESCRIPTION REV	QUALITY SYMBOLS	GENERAL TOLERANCES (UNLESS SPECIFIED)	DIMENSION STYLE	SCALE	DESIGN UNITS	THIRD ANGLE PROJECTION															
		$\nabla_A = 0$ $\nabla_B = 0$ $\nabla_C = 0$	<table border="1"> <tr> <td></td> <td>mm</td> <td>INCH</td> </tr> <tr> <td>4 PLACES</td> <td>\pm ---</td> <td>\pm ---</td> </tr> <tr> <td>3 PLACES</td> <td>\pm ---</td> <td>\pm ---</td> </tr> <tr> <td>2 PLACES</td> <td>± 0.2</td> <td>\pm ---</td> </tr> <tr> <td>1 PLACE</td> <td>\pm ---</td> <td>\pm ---</td> </tr> </table>		mm	INCH	4 PLACES	\pm ---	\pm ---	3 PLACES	\pm ---	\pm ---	2 PLACES	± 0.2	\pm ---	1 PLACE	\pm ---	\pm ---	MM ONLY	NTS	METRIC	
			mm	INCH																		
		4 PLACES	\pm ---	\pm ---																		
3 PLACES	\pm ---	\pm ---																				
2 PLACES	± 0.2	\pm ---																				
1 PLACE	\pm ---	\pm ---																				
	ANGULAR $\pm 3^\circ$	DRAWN BY: KSEE CHECKED BY: KCL ING APPROVED BY: MLONG MATERIAL NO.: SEE TABLE	DATE: 2003/12/22 DATE: 2004/01/12 DATE: 2009/12/17	TITLE: CUSTOM HEADER MGRID, 2MM DUAL ROW HDR WITH PEG, SMT MOLEX INCORPORATED DOCUMENT NO.: SD-87759-208	SHEET NO.: 2 OF 4																	
D3		DRAFT WHERE APPLICABLE MUST REMAIN WITHIN DIMENSIONS	SIZE: A3	THIS DRAWING CONTAINS INFORMATION THAT IS PROPRIETARY TO MOLEX INCORPORATED AND SHOULD NOT BE USED WITHOUT WRITTEN PERMISSION																		

EMBOSSED TYPE "B"

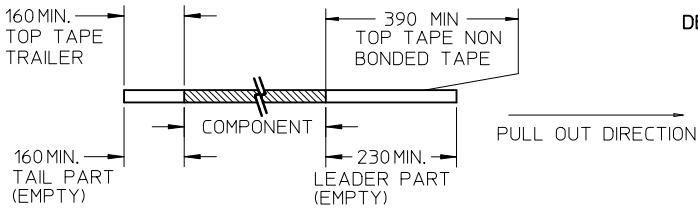
PART WITH CAP IN
TAPE & REEL ORIENTATION



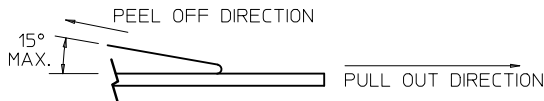
CUSTOMER PULL OUT
DIRECTION

NOTES:

1. LEADER AND TRAILER TAPE



2. PEELING OFF FORCE OF THE TOP TAPE: 20-80gf.
(PEELING DIRECTION AS SHOWN IN FOLLOWING FIGURE)



- 3. TAPE AND REEL SPECIFICATION IS AS PER EIA-481.
- 4. TAPE AND REEL QUANTITY : 500 PCS/ REEL.
- 5. THE TAPE IS TREATED FOR ANTI-STATIC.

CHG DIM M. EWR#1191	DESCRIPTION
EC NO: S2010-0237	DRW:WATSEE
2009/12/16	CHKD:SKANG
2009/12/17	APPR:MLONG
2009/12/21	
D3	REV

QUALITY SYMBOLS
$F_A=0$
$F_C=0$
$F_P=0$

GENERAL TOLERANCES (UNLESS SPECIFIED)	
	mm
4 PLACES	± 0.1
3 PLACES	± 0.15
2 PLACES	± 0.2
1 PLACE	± 0.3
ANGULAR ± 3°	
DRAFT WHERE APPLICABLE MUST REMAIN WITHIN DIMENSIONS	

DIMENSION STYLE	
MM ONLY	
DRAWN BY	DATE
KSEE	2003/12/22
CHECKED BY	DATE
KCLING	2004/01/12
APPROVED BY	DATE
MLONG	2009/12/17
MATERIAL NO.	
SEE TABLE	
SIZE	A3

SCALE	NTS	DESIGN UNITS	METRIC	THIRD ANGLE PROJECTION
TITLE				
CUSTOM HEADER MGRID, 2MM DUAL ROW HDR WITH PEG, SMT				
MOLEX INCORPORATED			DOCUMENT NO.	SHEET NO.
SD-87759-208				3 OF 4
THIS DRAWING CONTAINS INFORMATION THAT IS PROPRIETARY TO MOLEX INCORPORATED AND SHOULD NOT BE USED WITHOUT WRITTEN PERMISSION				

	10	9	8	7	6	5	4	3	2	1			
	PART NUMBER WITH CAP IN TUBE	PART NUMBER WITH CAP IN TAPE & REEL	CKT SIZE	A	B	C	M	N	F	So	W	EMBOSSSED TYPE	CAP TYPE
F	87759-0876	87759-7626	08	7.90	6.00	4.00	3.80	8.05	11.50	-	24.00	A	C1
	87759-5276	87759-7648	08	7.90	6.00	4.00	8.80	13.00	11.50	-	24.00	A	C2
	87759-1076	87759-7627	10	9.90	8.00	6.00	3.80	8.05	11.50	-	24.00	A	C1
	87759-1276	87759-7628	12	11.90	10.00	8.00	3.80	8.05	11.50	-	24.00	A	
	87759-1476	87759-7629	14	13.90	12.00	10.00	3.80	8.05	11.50	-	24.00	A	
E	87759-1676	87759-7630	16	15.90	14.00	12.00	3.80	8.05	14.20	28.40	32.00	B	
	87759-1876	87759-7631	18	17.90	16.00	14.00	3.80	8.05	14.20	28.40	32.00	B	
	87759-2076	87759-7632	20	19.90	18.00	16.00	3.80	8.05	20.20	40.40	44.00	B	
	87759-2276	87759-7633	22	21.90	20.00	18.00	3.80	8.05	20.20	40.40	44.00	B	
	87759-2476	87759-7634	24	23.90	22.00	20.00	3.80	8.05	20.20	40.40	44.00	B	
	87759-2676	87759-7635	26	25.90	24.00	22.00	3.80	8.05	20.20	40.40	44.00	B	
D	87759-2876	87759-7636	28	27.90	26.00	24.00	3.80	8.05	20.20	40.40	44.00	B	
	87759-3076	87759-7637	30	29.90	28.00	26.00	3.80	8.05	20.20	40.40	44.00	B	
	87759-3276	87759-7638	32	31.90	30.00	28.00	3.80	8.05	26.20	52.40	56.00	B	
	87759-3476	87759-7639	34	33.90	32.00	30.00	3.80	8.05	26.20	52.40	56.00	B	
	87759-3676	87759-7640	36	35.90	34.00	32.00	3.80	8.05	26.20	52.40	56.00	B	
	87759-3876	87759-7641	38	37.90	36.00	34.00	3.80	8.05	26.20	52.40	56.00	B	
C	87759-4076	87759-7642	40	39.90	38.00	36.00	3.80	8.05	26.20	52.40	56.00	B	
	87759-4276	87759-7643	42	41.90	40.00	38.00	3.80	8.05	26.20	52.40	56.00	B	
	87759-4476	87759-7644	44	43.90	42.00	40.00	3.80	8.05	26.20	52.40	56.00	B	
	87759-4676	87759-7645	46	45.90	44.00	42.00	3.80	8.05	34.20	68.40	72.00	B	
	87759-4876	87759-7646	48	47.90	46.00	44.00	3.80	8.05	34.20	68.40	72.00	B	
B	87759-5076	87759-7647	50	49.90	48.00	46.00	3.80	8.05	34.20	68.40	72.00	B	

CHG DIM M. EWR#1191 EC NO: S2010-0237 DRWN:ATSEE 2009/12/16 CHKD:SKANG 2009/12/17 APPR:MLONG 2009/12/21	DESCRIPTION REV	QUALITY SYMBOLS	GENERAL TOLERANCES (UNLESS SPECIFIED)	DIMENSION STYLE	SCALE	DESIGN UNITS	THIRD ANGLE PROJECTION															
		$\nabla_A=0$ $\nabla_C=0$ $\nabla_P=0$	<table border="1"> <tr> <th></th> <th>mm</th> <th>INCH</th> </tr> <tr> <td>4 PLACES</td> <td>± ---</td> <td>± ---</td> </tr> <tr> <td>3 PLACES</td> <td>± ---</td> <td>± ---</td> </tr> <tr> <td>2 PLACES</td> <td>± 0.2</td> <td>± ---</td> </tr> <tr> <td>1 PLACE</td> <td>± ---</td> <td>± ---</td> </tr> </table>		mm	INCH	4 PLACES	± ---	± ---	3 PLACES	± ---	± ---	2 PLACES	± 0.2	± ---	1 PLACE	± ---	± ---	MM ONLY	NTS	METRIC	
			mm	INCH																		
		4 PLACES	± ---	± ---																		
3 PLACES	± ---	± ---																				
2 PLACES	± 0.2	± ---																				
1 PLACE	± ---	± ---																				
	<table border="1"> <tr> <th>DRAWN BY</th> <th>DATE</th> <th>TITLE</th> </tr> <tr> <td>KSEE</td> <td>2003/12/22</td> <td rowspan="3">CUSTOM HEADER MGRID, 2MM DUAL ROW HDR WITH PEG, SMT</td> </tr> <tr> <th>CHECKED BY</th> <th>DATE</th> </tr> <tr> <td>KCLING</td> <td>2004/01/12</td> </tr> </table>	DRAWN BY	DATE	TITLE	KSEE	2003/12/22	CUSTOM HEADER MGRID, 2MM DUAL ROW HDR WITH PEG, SMT	CHECKED BY	DATE	KCLING	2004/01/12											
DRAWN BY	DATE	TITLE																				
KSEE	2003/12/22	CUSTOM HEADER MGRID, 2MM DUAL ROW HDR WITH PEG, SMT																				
CHECKED BY	DATE																					
KCLING	2004/01/12																					
	<table border="1"> <tr> <th>APPROVED BY</th> <th>DATE</th> <th>MATERIAL NO.</th> <th>DOCUMENT NO.</th> <th>SHEET NO.</th> </tr> <tr> <td>MLONG</td> <td>2009/12/17</td> <td>SEE TABLE</td> <td>SD-87759-208</td> <td>4 OF 4</td> </tr> </table>	APPROVED BY	DATE	MATERIAL NO.	DOCUMENT NO.	SHEET NO.	MLONG	2009/12/17	SEE TABLE	SD-87759-208	4 OF 4											
APPROVED BY	DATE	MATERIAL NO.	DOCUMENT NO.	SHEET NO.																		
MLONG	2009/12/17	SEE TABLE	SD-87759-208	4 OF 4																		