

PLEASE CHECK WWW.MOLEX.COM FOR LATEST PART INFORMATION

Part Number: [0850401079](#)
Status: **Active**
Overview: [din_41612](#)
Description: 2.54mm (.100") Pitch DIN 41612 Receptacle, Style B/2, 32 Circuits, Lead free

Documents:

[3D Model](#) [Product Specification PS-85042-001 \(PDF\)](#)
[Drawing \(PDF\)](#) [RoHS Certificate of Compliance \(PDF\)](#)

Agency Certification

CSA LR19980
 UL E29179

General

Product Family Backplane Connectors
 Series [85040](#)
 Application Daughtercard
 Comments No Mounting Clips. No Flux Proof
 Component Type PCB Receptacle
 Overview [din_41612](#)
 Product Name IEC 603-2/DIN 41612
 Style B/2

Physical

Circuits (Loaded) 32
 Circuits (maximum) 32
 Circuits Detail Rows A & B
 Durability (mating cycles max) 50
 First Mate / Last Break No
 Flammability 94V-0
 Guide to Mating Part No
 Keying to Mating Part Yes
 Number of Columns 16
 Number of Pairs Open Pin Field
 Number of Rows 2
 Orientation Vertical
 PC Tail Length (in) 0.114 In
 PC Tail Length (mm) 2.90 mm
 PCB Locator No
 PCB Retention Yes
 PCB Thickness Recommended (in) 0.063 In, 0.157 In
 PCB Thickness Recommended (mm) 1.60 mm, 4.00 mm
 Packaging Type Bag
 Pitch - Mating Interface (in) 0.100 In
 Pitch - Mating Interface (mm) 2.54 mm
 Pitch - Term. Interface (in) 0.100 In
 Pitch - Term. Interface (mm) 2.54 mm
 Polarized to PCB Yes
 Stackable No
 Surface Mount Compatible (SMC) No
 Temperature Range - Operating -55°C to +125°C
 Termination Interface: Style Through Hole

Electrical

Current - Maximum per Contact 1A
 Data Rate 622.0 Mbps

EU RoHS

**ELV and RoHS
 Compliant**

REACH SVHC

Not Reviewed

Halogen-Free

Status

Not Reviewed

China RoHS



**Need more information on product
 environmental compliance?**

Email productcompliance@molex.com
 For a multiple part number RoHS Certificate of
 Compliance, [click here](#)

Please visit the [Contact Us](#) section for any
 non-product compliance questions.

Search Parts in this Series

[85040Series](#)

Mates With

DIN 41612 Headers [85001](#) , [85011](#)

Real Signals (per 25mm)	20
Shielded	No
Voltage - Maximum	250V AC (RMS)

Solder Process Data

Lead-free Process Capability	Wave Capable (TH only)
------------------------------	------------------------

Material Info**Reference - Drawing Numbers**

Product Specification	PS-85042-001
Sales Drawing	SD-85040-1079, SDA-85040-0002

This document was generated on 05/17/2010

PLEASE CHECK WWW.MOLEX.COM FOR LATEST PART INFORMATION

VIEW ON MATING SIDE

∞	A	A	A	A	A	A	A	A	A	A	A	A	A	A	A	A	A	A	A	A
◁	A	A	A	A	A	A	A	A	A	A	A	A	A	A	A	A	A	A	A	A

1 2 3 4 5 6 7 8 9 10 11 12 13 14 15 16 17 18 19 20

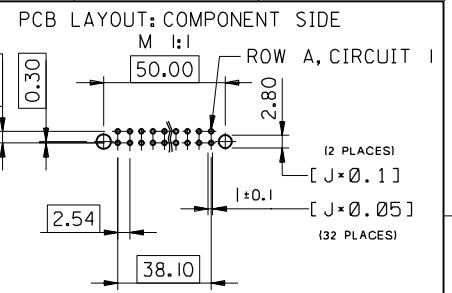
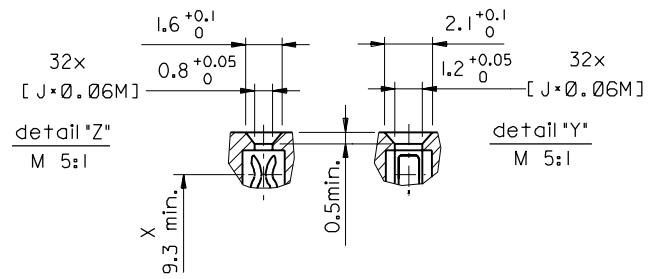
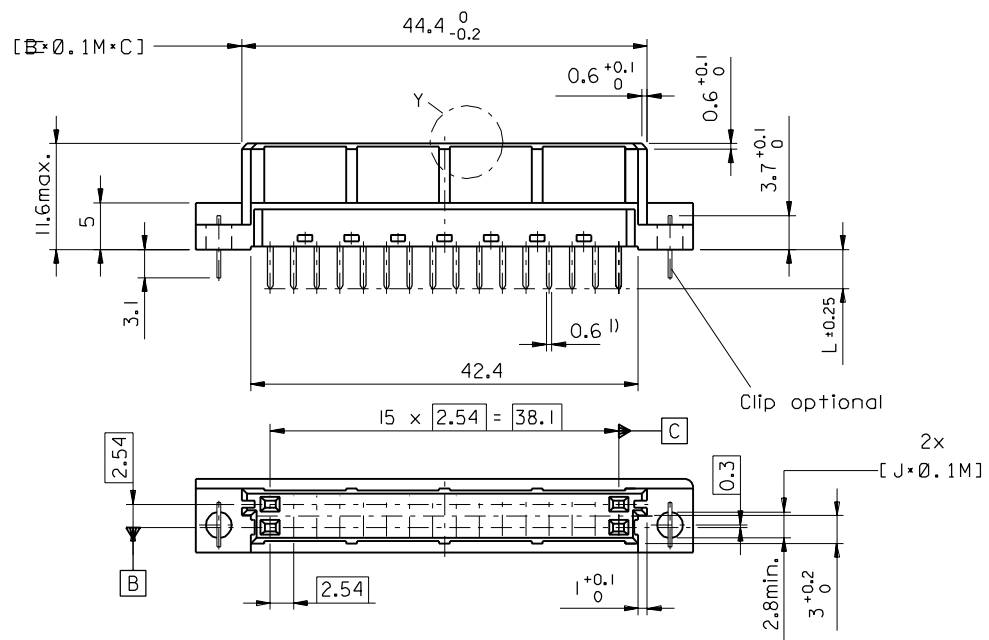
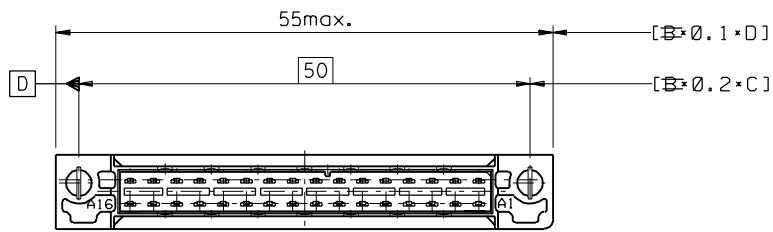
A = 32 CONTACTS L-2,9

Marking	Standard
Performance level	G3/0 = Contact area level3 / Termination tin
Flux proof	no
Fixing clip	no
Dimensions	SDA-85040-0002 sht.1
Technical Data	PS-85042-0001

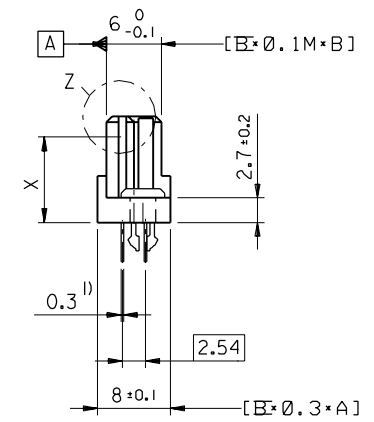
A	G3/0	a1-16	b1-16
Contact symbol	Perform. level	Contact position number	

ECN 2543 first release	REVISIONS		FOR PREVIOUS REVISIONS SEE MRI LIST	
	LTR	△		
UNLESS OTHERWISE SPECIFIED TOLERANCES: ANGULAR ± 2°		DRWG BY	KN	SIGN
INCH		CHK'D BY	Ca	SIGN
METRIC		APP'D BY	JB	SIGN
3 PLACE ± .	±	SCALE		
2 PLACE ± .	±	DESIGN DIMENSION <input type="checkbox"/> MM <input type="checkbox"/> IN.		
1 PLACE ± .	±	EQUIVALENT DIMENSION <input type="checkbox"/> MM <input type="checkbox"/> IN.		
DRAFT WHERE APPLICABLE MUST REMAIN WITHIN DIMENSIONS		IF TWO DIMENSIONS ARE SHOWN, THE UPPER IS THE DESIGN DIMENSION, LOWER IS SECONDARY		
REVISE ONLY ON CAD SYSTEM		SH. REV.		
CAD/CAM PROJECT NAME		THIS DRAWING CONTAINS INFORMATION THAT IS PROPRIETARY TO MOLEX INC. & SHOULD NOT BE USED WITHOUT WRITTEN PERMISSION		
s8504010 s71		SHEET NO. DATE		
TITLE		1 OF 1 97/07/22		
32 pos. female connector acc. DIN 41612 style B/2 contacts arrangement		DWG NO. SD-85040-1079		
MOLEX®		PART NO.		
MOLEX EUROPE		SIZE A		

PART NO.
DWG. NO.



1) tails to fit in PC-board layout



FIRST ANGLE PROJECTION

UNLESS OTHERWISE SPECIFIED TOLERANCES: ANGULAR ±2°	DRWG BY	SIGN
INCH	KN	
METRIC	CHK'D BY	SIGN
	Ca	
DRAFT WHERE APPLICABLE MUST REMAIN WITHIN DIMENSIONS	APP'D BY	SIGN
	FB	
DESIGN DIMENSION <input checked="" type="checkbox"/> MM	SCALE	
<input type="checkbox"/> IN.	2:1	
EQUIVALENT DIMENSION <input type="checkbox"/> MM		
<input type="checkbox"/> IN.		
IF TWO DIMENSIONS ARE SHOWN THE UPPER IS THE DESIGN DIMENSION, LOWER IS SECONDARY		

REVISE ONLY ON CAD SYSTEM

CAECAM PROJECT NAME 85040000 s21	THIS DRAWING CONTAINS INFORMATION THAT IS PROPRIETARY TO MOLEX INC. & SHOULD NOT BE USED WITHOUT WRITTEN PERMISSION	SH.	REV.
TITLE 32pos. Female connector DIN 41612 style B/2, with clip, Dimensions			
MOLEX EUROPE		SHEET NO. DATE 1 OF 1 96/04/23	
PART NO.	DWG NO. SDA-85040-0002	SIZE B	

ECN MG1998-2727 new fixing clip 98-04-14 Co	REVISIONS
C	LTR