

PLEASE CHECK WWW.MOLEX.COM FOR LATEST PART INFORMATION

Part Number: **0850401005**
Status: **Active**
Overview: din_41612
Description: 2.54mm (.100") Pitch DIN 41612 Receptacle, Style B/2, 16 Circuits, Lead free

Documents:

[3D Model](#) [Product Specification PS-85042-001 \(PDF\)](#)
[Drawing \(PDF\)](#) [RoHS Certificate of Compliance \(PDF\)](#)

Agency Certification

CSA LR19980
 UL E29179

General

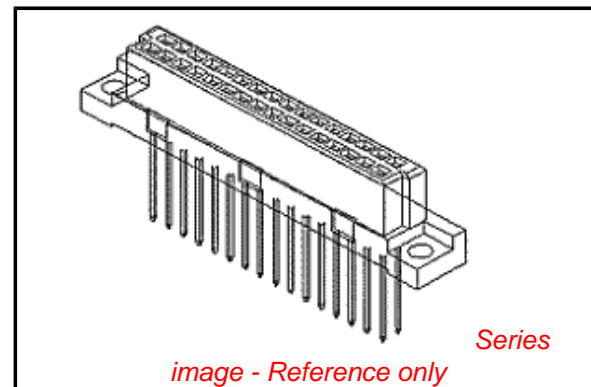
Product Family Backplane Connectors
 Series 85040
 Application Daughtercard
 Comments No Mounting Clips. No Flux Proof
 Component Type PCB Receptacle
 Overview din_41612
 Product Name IEC 603-2/DIN 41612
 Style B/2

Physical

Circuits (Loaded) 16
 Circuits (maximum) 16
 Circuits Detail Rows A & B
 Durability (mating cycles max) 400
 First Mate / Last Break No
 Flammability 94V-0
 Guide to Mating Part No
 Keying to Mating Part Yes
 Number of Columns 8
 Number of Pairs Open Pin Field
 Number of Rows 2
 Orientation Vertical
 PC Tail Length (in) 0.177 In
 PC Tail Length (mm) 4.50 mm
 PCB Locator No
 PCB Retention Yes
 PCB Thickness Recommended (in) 0.063 In, 0.157 In
 PCB Thickness Recommended (mm) 1.60 mm, 4.00 mm
 Packaging Type Bag
 Pitch - Mating Interface (in) 0.100 In
 Pitch - Mating Interface (mm) 2.54 mm
 Pitch - Term. Interface (in) 0.100 In
 Pitch - Term. Interface (mm) 2.54 mm
 Polarized to PCB Yes
 Stackable No
 Surface Mount Compatible (SMC) No
 Temperature Range - Operating -55°C to +125°C
 Termination Interface: Style Through Hole

Electrical

Current - Maximum per Contact 1A
 Data Rate 622.0 Mbps



EU RoHS

**ELV and RoHS
 Compliant**
REACH SVHC
 Not Reviewed
**Halogen-Free
 Status**
 Not Reviewed

China RoHS



**Need more information on product
 environmental compliance?**

Email productcompliance@molex.com
 For a multiple part number RoHS Certificate of
 Compliance, [click here](#)

Please visit the [Contact Us](#) section for any
 non-product compliance questions.

Search Parts in this Series

85040Series

Mates With

DIN 41612 Headers [85001](#) , [85011](#)

Real Signals (per 25mm)	20
Shielded	No
Voltage - Maximum	250V AC (RMS)

Material Info

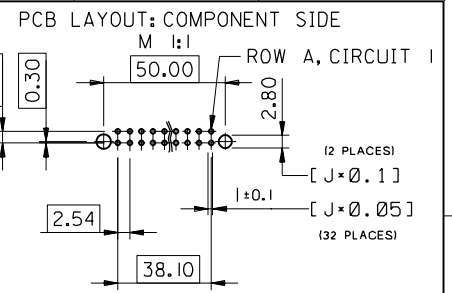
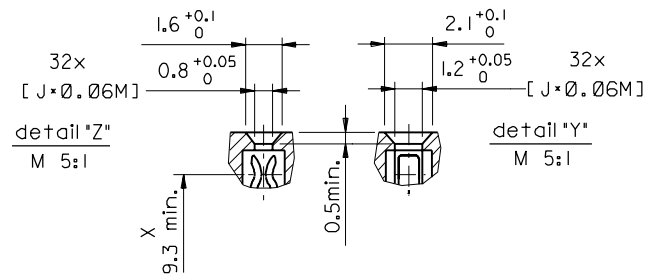
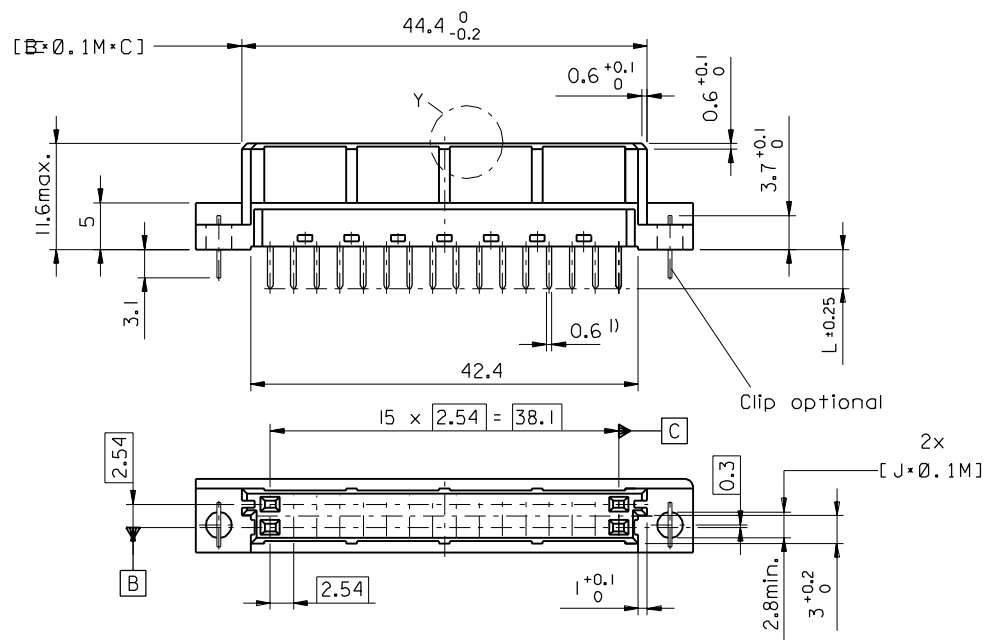
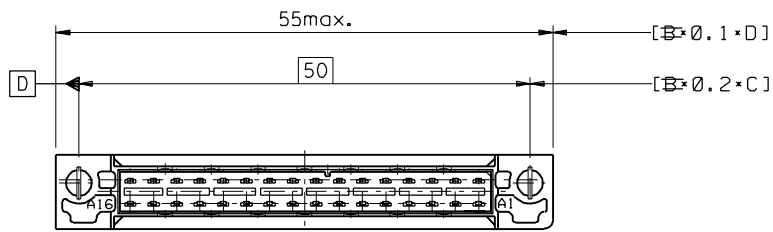
Reference - Drawing Numbers

Product Specification	PS-85042-001
Sales Drawing	SDA-85040-0002, SDA-85040-1005

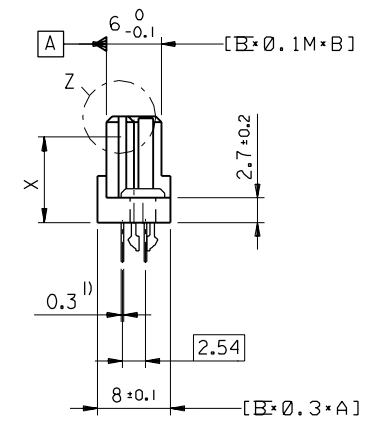
This document was generated on 05/17/2010

PLEASE CHECK WWW.MOLEX.COM FOR LATEST PART INFORMATION

PART NO.
DWG. NO.



1) tails to fit in PC-board layout



FIRST ANGLE PROJECTION

UNLESS OTHERWISE SPECIFIED TOLERANCES: ANGULAR ±2° INCH METRIC	DRWG BY	KN	SIGN
	CHK'D BY	Ca	SIGN
	APP'D BY	FB	SIGN
	SCALE	2:1	

REVISE ONLY ON CAD SYSTEM

CAECAM PROJECT NAME 85040000 s21	THIS DRAWING CONTAINS INFORMATION THAT IS PROPRIETARY TO MOLEX INC. & SHOULD NOT BE USED WITHOUT WRITTEN PERMISSION	SH.	REV.
TITLE 32pos. Female connector DIN 41612 style B/2, with clip, Dimensions			
MOLEX EUROPE		SHEET NO. DATE 1 OF 1 96/04/23	
PART NO.	DWG NO.	SIZE	
SDA-85040-0002		B	

ECN MG1998-2727 new fixing clip 98-04-14 Co	REVISIONS
C	LTR

3 PLACE	±	±
2 PLACE	±	±
1 PLACE	±	±
DRAFT WHERE APPLICABLE MUST REMAIN WITHIN DIMENSIONS		
DESIGN DIMENSION	<input checked="" type="checkbox"/> MM	<input type="checkbox"/> IN.
EQUIVALENT DIMENSION	<input type="checkbox"/> MM	<input type="checkbox"/> IN.
IF TWO DIMENSIONS ARE SHOWN THE UPPER IS THE DESIGN DIMENSION, LOWER IS SECONDARY		

VIEW ON MATING SIDE

∞	A	A	A	A	A	A	A	A	A
∞	A	A	A	A	A	A	A	A	A

1 2 3 4 5 6 7 8 9 10 11 12 13 14 15 16 17 18 19 20 21 22 23 24 25 26 27 28 29 30 31 32

A = 16 CONTACTS L=4,5

Marking	Standard
Performance level	G2/0 = Contact area level2 / Termination tin
Flux proof	no
Fixing clip	no
Dimensions	SDA-85040-0002 sht.1
Technical Data	PS-85042-0001

A	G2/0	a2,4,6...16	b2,4,6...16
Contact symbol	Perform. level	Contact position number	

ECN 2264 Produkt spec. 96-10-18 KN	REVISIONS		FOR PREVIOUS REVISIONS SEE MRI LIST	
	LTR	Δ-1		
UNLESS OTHERWISE SPECIFIED TOLERANCES: ANGULAR ± 2° INCH METRIC		DRWG BY	SIGN	
3 PLACE ± .		Ca		
2 PLACE ± .		CHK'D BY	SIGN	
1 PLACE ± .		KN		
DRAFT WHERE APPLICABLE MUST REMAIN WITHIN DIMENSIONS		APP'D BY	SIGN	
DESIGN DIMENSION <input type="checkbox"/> MM <input type="checkbox"/> IN.				
EQUIVALENT DIMENSION <input type="checkbox"/> MM <input type="checkbox"/> IN.		SCALE		
IF TWO DIMENSIONS ARE SHOWN, THE UPPER IS THE DESIGN DIMENSION, LOWER IS SECONDARY				
REVISE ONLY ON CAD SYSTEM		CAD/CAM PROJECT NAME	SH. REV.	
		s8504010 s01	THIS DRAWING CONTAINS PROPRIETARY TO MOLEX INC. & SHOULD NOT BE USED WITHOUT WRITTEN PERMISSION	
TITLE		32 pos. female connector acc. DIN 41612 style B/2 contacts arrangement		
PART NO.		85040-1005	DWG NO.	SDA-85040-1005
		MOLEX EUROPE	SHEET NO.	1 OF 1
			DATE	96/05/15
			SIZE	A