

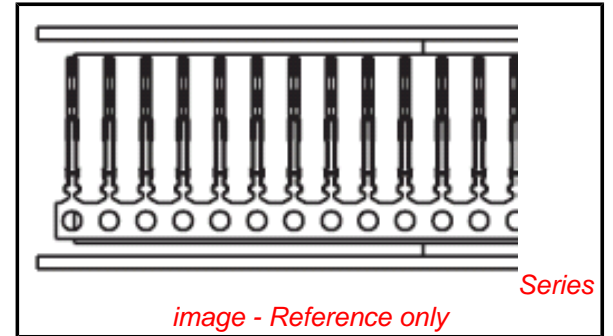
PLEASE CHECK WWW.MOLEX.COM FOR LATEST PART INFORMATION

Part Number: [0830009503](#)
Status: **Active**
Overview: [commercial_microd](#)
Description: 1.27mm (.050") Pitch Ulti-Mate™ Commerical Micro D, Cable Receptacle Kit, 9|25|15 Circuits

Documents:

[Packaging Specification \(PDF\)](#)
[Drawing \(PDF\)](#)

[RoHS Certificate of Compliance \(PDF\)](#)



General

Product Family	I/O Connectors
Series	83000
Application	Wire-to-Board
Component Type	Receptacle
Overview	commercial_microd
Product Literature Order No	USA-063
Product Name	Commercial Micro-D
Type	N/A

Physical

Circuits (Loaded)	1
Circuits (maximum)	1
Durability (mating cycles max)	500
Lock to Mating Part	Yes
Material - Plating Mating	Gold
Material - Plating Termination	Tin
Orientation	N/A
PCB Retention	N/A
Packaging Type	Reel
Panel Mount	No
Pitch - Mating Interface (in)	0.050 In
Pitch - Mating Interface (mm)	1.27 mm
Plating min: Mating (µin)	5
Plating min: Mating (µm)	0.125
Plating min: Termination (µin)	50
Plating min: Termination (µm)	1.25
Polarized to Mating Part	Yes
Surface Mount Compatible (SMC)	N/A
Temperature Range - Operating	-55°C to +70°C
Termination Interface: Style	Crimp or Compression
Wire Size AWG	26, 28

Electrical

Current - Maximum per Contact	3A
Shielded	Yes
Voltage - Maximum	350V

Material Info

Reference - Drawing Numbers

Packaging Specification	PK-83000-005
Sales Drawing	SD-83000-002

EU RoHS

ELV and RoHS Compliant
REACH SVHC Contains SVHC: No
Halogen-Free Status
Halogen-Free

China RoHS



Need more information on product environmental compliance?

Email productcompliance@molex.com
 For a multiple part number RoHS Certificate of Compliance, [click here](#)

Please visit the [Contact Us](#) section for any non-product compliance questions.

Search Parts in this Series

[83000Series](#)

Mates With

[83611](#) , [83619](#) , [83612](#) , [83614](#)

Application Tooling | FAQ

Tooling specifications and manuals are found by selecting the products below. Crimp Height Specifications are then contained in the Application Tooling Specification document.

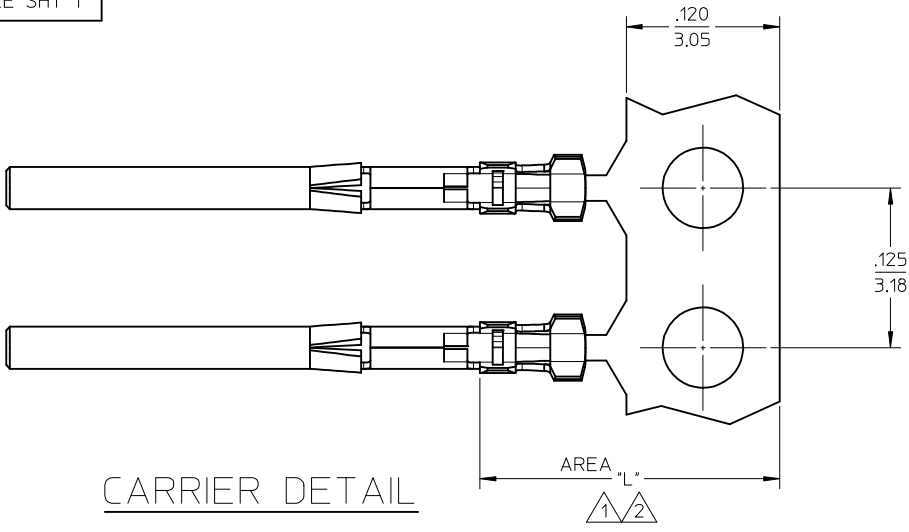
Global

Description	Product #
Hand Crimp Tool	0638114800
T2 Terminator Die	0638522000
FineAdjust™ Applicator	0638622000

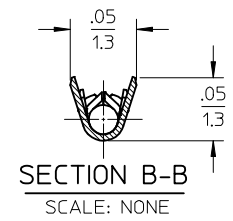
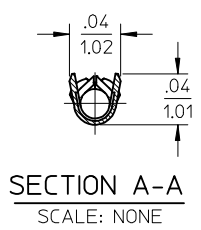
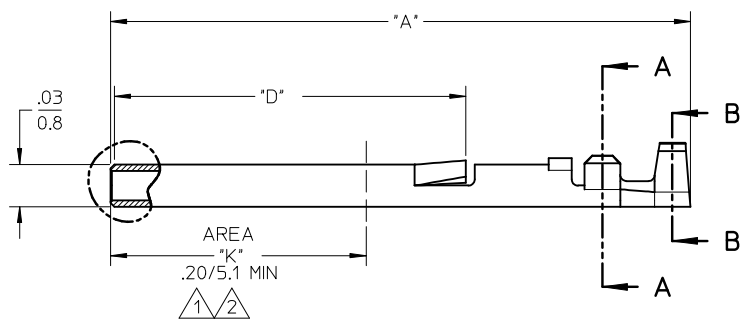
PLEASE CHECK WWW.MOLEX.COM FOR LATEST PART INFORMATION

10 9 8 7 6 5 4 3 2 1

MATERIAL NUMBER	ENGINEERING NUMBER
SEE SHT 1	SEE SHT 1



CARRIER DETAIL

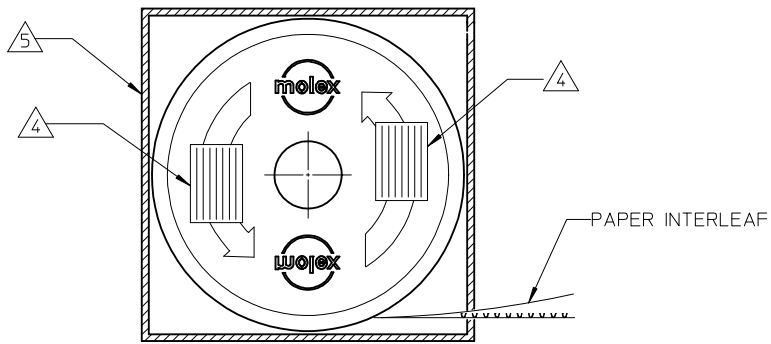
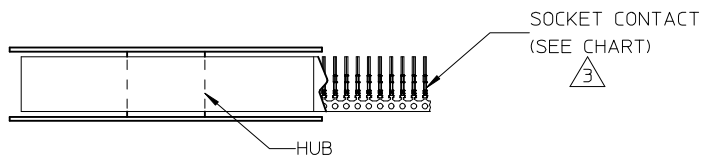


SALES DRAWING

REDRAWN EC NO: WNA2008-0145 DRWNRUPERT 2008/10/17 CHKD: APPR: JFURPHY 2008/11/12 REV	QUALITY SYMBOLS	GENERAL TOLERANCES (UNLESS SPECIFIED) <table border="1"> <tr> <td></td> <td>mm</td> <td>INCH</td> </tr> <tr> <td>4 PLACES</td> <td>± .005</td> <td>± .0005</td> </tr> <tr> <td>3 PLACES</td> <td>± .010</td> <td>± .0010</td> </tr> <tr> <td>2 PLACES</td> <td>± .015</td> <td>± .0015</td> </tr> <tr> <td>1 PLACE</td> <td>± .030</td> <td>± .0030</td> </tr> </table> ANGULAR ±1/2° DRAFT WHERE APPLICABLE MUST REMAIN WITHIN DIMENSIONS		mm	INCH	4 PLACES	± .005	± .0005	3 PLACES	± .010	± .0010	2 PLACES	± .015	± .0015	1 PLACE	± .030	± .0030	DIMENSION STYLE	SCALE	DESIGN UNITS	THIRD ANGLE PROJECTION CONTACT, SOCKET, COMM. MICRO-D MOLEX INCORPORATED DOCUMENT NO. SD-83000-002 SHEET NO. 1 OF 2
			mm	INCH																	
	4 PLACES		± .005	± .0005																	
	3 PLACES		± .010	± .0010																	
2 PLACES	± .015	± .0015																			
1 PLACE	± .030	± .0030																			
▽=0 C=0	IN/MM	10:1	INCH																		
	DRAWN BY	DATE	TITLE																		
	BRE 02/01/22 CHECKED BY HEB 02/01/22 APPROVED BY RWD 02/01/22 MATERIAL NO. SEE CHART	DATE DATE DATE DATE DATE																			
		SIZE A3	THIS DRAWING CONTAINS INFORMATION THAT IS PROPRIETARY TO MOLEX INCORPORATED AND SHOULD NOT BE USED WITHOUT WRITTEN PERMISSION																		

9 8 7 6 5 4 3 2 1

10	9	8	7	6	5	4	3	2	1
MATERIAL NUMBER	ENGINEERING NUMBER	DESCRIPTION	FINISH	A	D				
830009502	83000-9502	2.5 K PER REEL	△1	.456/(11.58) (SEE SHT 2)	.278/(7.06) (SEE SHT 2)				
830009503	83000-9503	50.0 K PER REEL	△1						
830000083	83000-0083	LOOSE PIECE TERMINAL	△1						
830009550	83000-9550	2.5 K PER REEL	△2						
830009547	83000-9547	2.5 K PER REEL	△1	.426/(10.82) (SEE SHT 2)	.248/(6.30) (SEE SHT 2)				
830000106	83000-0106	LOOSE PIECE TERMINAL	△1						
830009557	83000-9557	50.0 K PER REEL	△2	.456/(11.58)	.278/(7.06)				



NOTES:

△1 FINISH:

- A. NICKEL PLATING 50 μ IN MIN THICKNESS OVERALL, PER QQ-N-290, CLASS 2.
- B. FOLLOWED BY 30 μ IN MIN. GOLD PER MIL-G-45204, TYPE II, GRADE C, IN AREA "K". (SHOWN ON SHT 2)
- C. FOLLOWED BY 5-10 μ IN GOLD PER MIL-G-45204, TYPE II, GRADE C IN AREA "K".
- D. FOLLOWED BY 50 μ IN TIN PER MIL-T-10727, TYPE I IN AREA "L". (SHOWN ON SHEET 2).

△2 FINISH: (830009550 & 830009557)

- A. NICKEL PLATING 50 μ IN MIN THICKNESS OVERALL, PER QQ-N-290, CLASS 2.
- B. FOLLOWED BY 50 μ IN MIN. GOLD PER MIL-G-45204, TYPE II, GRADE C, IN AREA "K". (SEE SHEET 2)
- C. FOLLOWED BY 50 μ IN TIN PER MIL-T-10727, TYPE I IN AREA "L". (SHOWN ON SHEET 2).

△3 CONTACT TO BE ORIENTATED AS SHOWN.

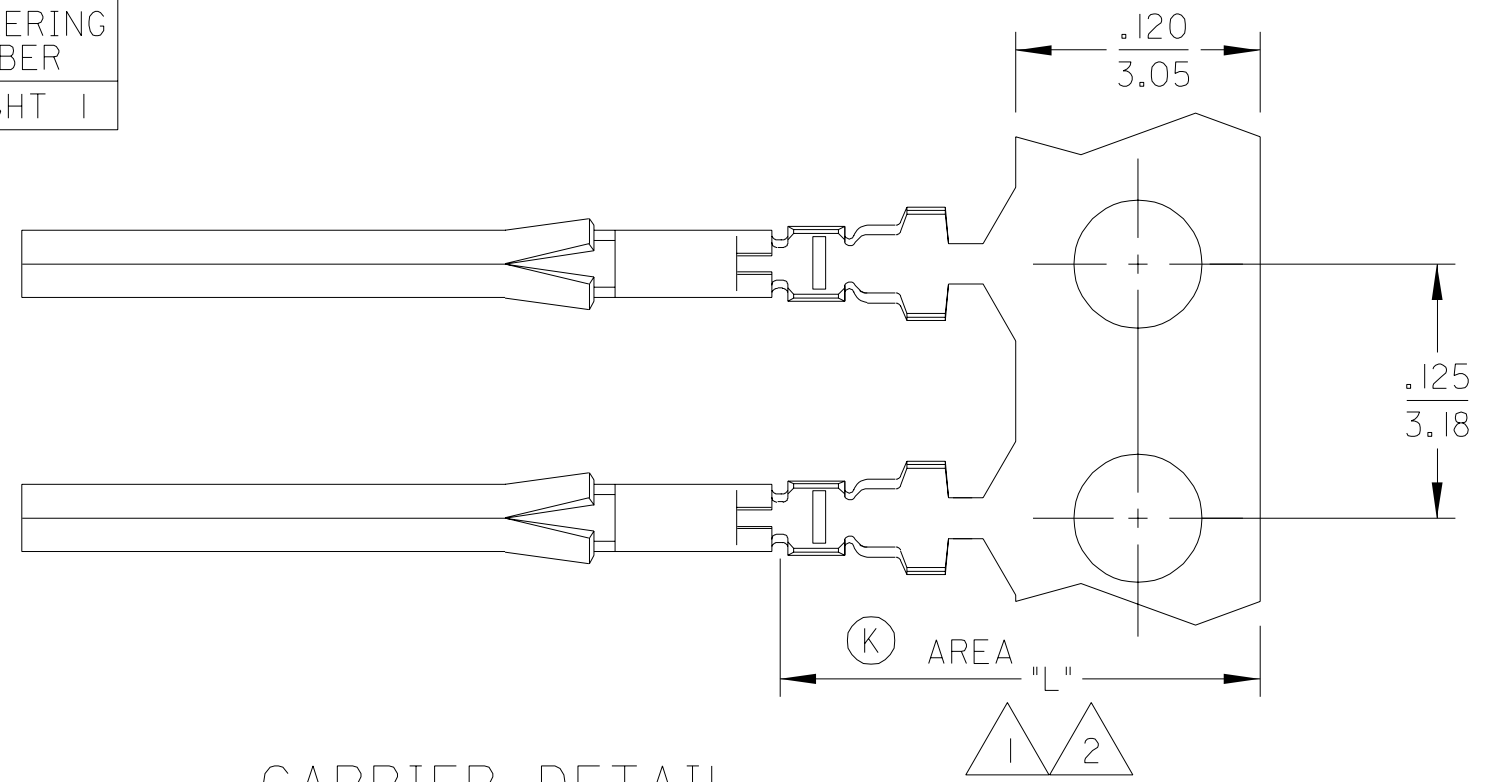
△4 IDENTIFICATION LABELS (2), (REEL).

△5 IDENTIFICATION LABEL, (SHIPPING BOX).

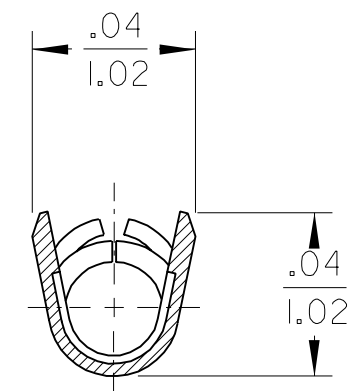
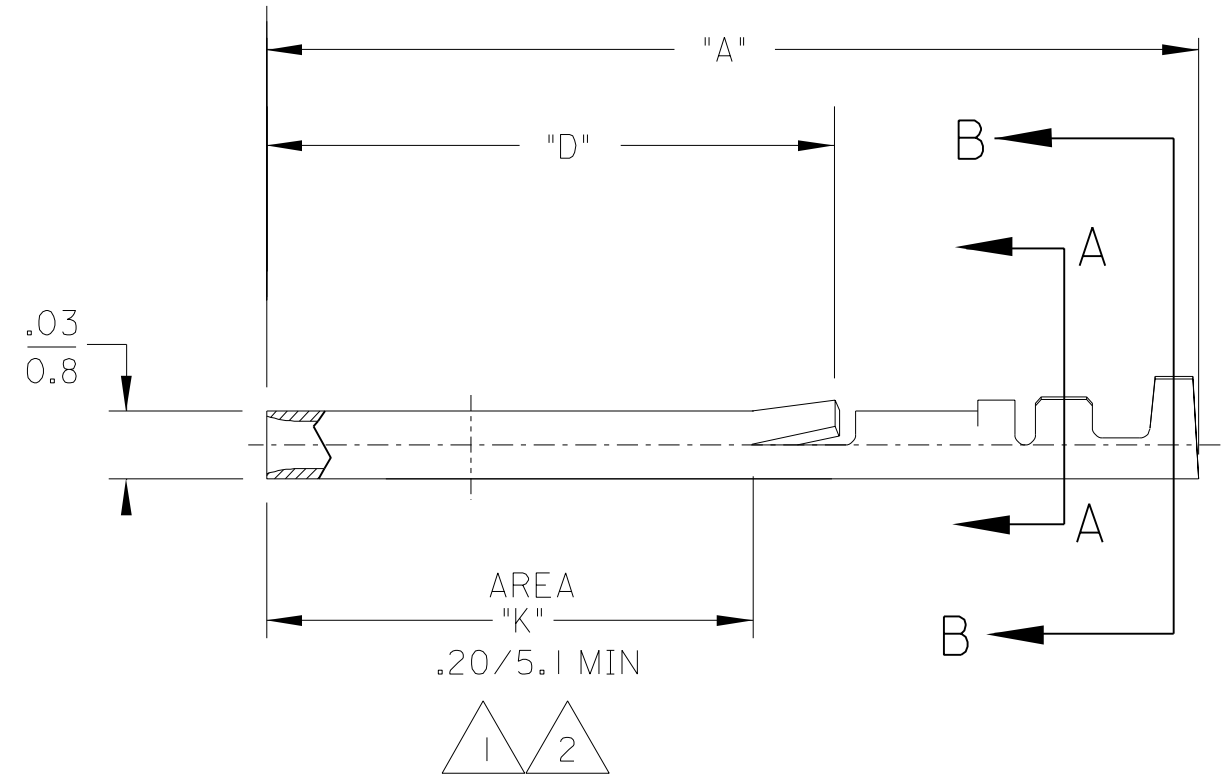
SALES DRAWING

REDRAWN EC NO: WNA2008-0145 DRWNRUPERT 2008/10/17 CHKD: APPR: JFMURPHY 2008/11/12	QUALITY SYMBOLS	GENERAL TOLERANCES (UNLESS SPECIFIED)		DIMENSION STYLE IN/MM		SCALE 10:1	DESIGN UNITS INCH	THIRD ANGLE PROJECTION	
	▽=0	mm	INCH	DRAWN BY BRE	DATE 02/01/22	TITLE CONTACT, SOCKET, COMM. MICRO-D			
	∇=0	4 PLACES ± --- ± ---	3 PLACES ± --- ± .005	CHECKED BY HEB	DATE 02/01/22				
		2 PLACES ± 0.13 ± .010	1 PLACE ± 0.3 ± ---	APPROVED BY RWD	DATE 02/01/22	MATERIAL NO. SEE CHART		MOLEX INCORPORATED	
	ANGULAR ± 1/2°	DRAFT WHERE APPLICABLE MUST REMAIN WITHIN DIMENSIONS		SIZE A3		THIS DRAWING CONTAINS INFORMATION THAT IS PROPRIETARY TO MOLEX INCORPORATED AND SHOULD NOT BE USED WITHOUT WRITTEN PERMISSION			

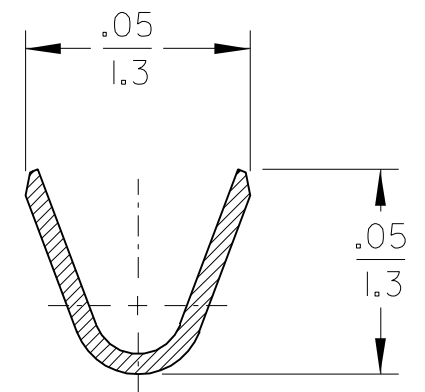
MATERIAL NUMBER	ENGINEERING NUMBER
SEE SHT 1	SEE SHT 1



CARRIER DETAIL



SECTION A-A
SCALE: NONE



SECTION B-B
SCALE: NONE

SALES DRAWING

ETC2003-0182 EC NO. ETC2003-0190 DRWN: BRE 03/01/30 CHK: HEB/JAL 03/01/30 APPR: RWD 03/01/30	QUALITY SYMBOLS
	MAJOR $\nabla=0$ CRITICAL $\nabla C=0$
K	REV

GENERAL TOLERANCES: (UNLESS SPECIFIED)	
4 PLACES	$\pm 0.$
3 PLACES	$\pm 0.$
2 PLACES	± 0.13
1 PLACE	± 0.3
ANGULAR: $\pm 1/2^\circ$	
DRAFT WHERE APPLICABLE MUST REMAIN WITHIN DIMENSIONS	

SCALE NO: NE	DESIGN UNITS <input type="checkbox"/> mm <input checked="" type="checkbox"/> INCH
DRAWN BY & DATE BRE 02/01/22	
CHECKED BY & DATE HEB 02/01/22	
APPROVED BY & DATE RWD 02/01/22	
CAD FILENAME SD83000002.DGN	MATERIAL NO. SEE CHART

DIMENSIONS: <input type="checkbox"/> mm <input checked="" type="checkbox"/> INCH <input type="checkbox"/> mm ONLY	
THIRD ANGLE PROJECTION	
TITLE: CONTACT, SOCKET	
MOLLEX MOLEX INCORPORATED	
DRAWING NO. SD-83000-002	SHEET NO. 2 OF 2

SHT	REV
	REVISE ON CAD ONLY
THIS DRAWING CONTAINS INFORMATION THAT IS PROPRIETARY TO MOLEX INCORPORATED AND SHOULD NOT BE USED WITHOUT WRITTEN PERMISSION.	
SIZE	B