

PLEASE CHECK WWW.MOLEX.COM FOR LATEST PART INFORMATION

Part Number: [0554013019](#)
Status: **Contact Molex**
Overview: [qf50](#)
Description: 2.54mm (.100") Pitch QF-50™ Flat Ribbon Cable Header, Dual Row, Vertical, Shrouded Header with Eject Levers, 30 Circuits, Lead-free

Documents:

[3D Model](#) [Product Specification PS-54559-005 \(PDF\)](#)
[Drawing \(PDF\)](#) [RoHS Certificate of Compliance \(PDF\)](#)

General

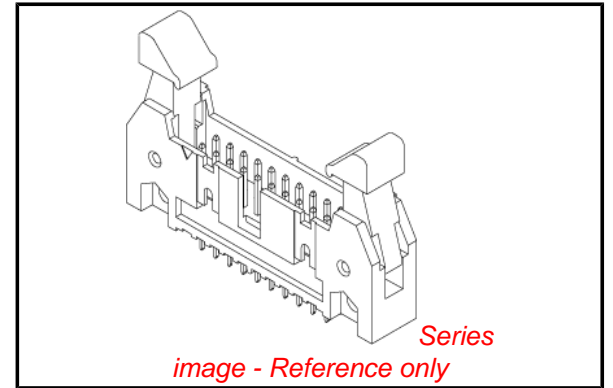
Product Family	PCB Headers
Series	55401
Application	Wire-to-Board
Overview	qf50
Product Name	QF-50™

Physical

Breakaway	No
Circuits (Loaded)	30
Circuits (maximum)	30
Color - Resin	Black
Durability (mating cycles max)	500
First Mate / Last Break	No
Glow-Wire Compliant	No
Guide to Mating Part	No
Keying to Mating Part	None
Lock to Mating Part	Yes
Material - Metal	Brass
Material - Plating Mating	Gold
Material - Plating Termination	Tin
Material - Resin	Polyester
Number of Rows	2
Orientation	Vertical
PCB Locator	No
PCB Retention	Yes
PCB Thickness Recommended (in)	0.062 In
PCB Thickness Recommended (mm)	1.60 mm
Packaging Type	Tray
Pitch - Mating Interface (in)	0.100 In
Pitch - Mating Interface (mm)	2.54 mm
Plating min: Mating (µin)	12
Plating min: Mating (µm)	0.3
Plating min: Termination (µin)	101.6
Plating min: Termination (µm)	2.54
Polarized to Mating Part	Yes
Shrouded	Fully
Stackable	No
Surface Mount Compatible (SMC)	No
Temperature Range - Operating	-40°C to +85°C
Termination Interface: Style	Through Hole

Electrical

Current - Maximum per Contact	1A
Voltage - Maximum	300V



EU RoHS

**ELV and RoHS
Compliant**
REACH SVHC
 Not Reviewed
**Halogen-Free
Status**

China RoHS



Not Reviewed
**Need more information on product
environmental compliance?**

Email productcompliance@molex.com
 For a multiple part number RoHS Certificate of Compliance, [click here](#)

Please visit the [Contact Us](#) section for any non-product compliance questions.

Search Parts in this Series

[55401Series](#)

Mates With

[54559](#) QF-50™ Flat Cable Receptacle Housing

Material Info

Reference - Drawing Numbers

Product Specification

Sales Drawing

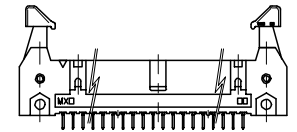
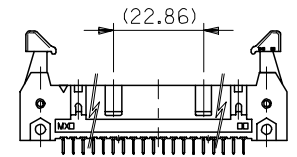
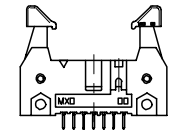
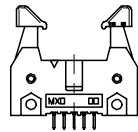
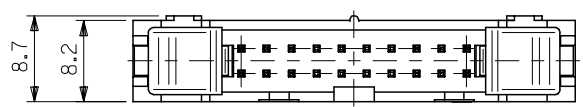
PS-54559-005, RPS-54559-017

SD-55401-004

This document was generated on 06/02/2010

PLEASE CHECK WWW.MOLEX.COM FOR LATEST PART INFORMATION

10 9 8 7 6 5 4 3 2 1



10極に適用。

14極に適用。

55401-5011,6011,6411に適用。

55401-5031,6031,6431に適用。

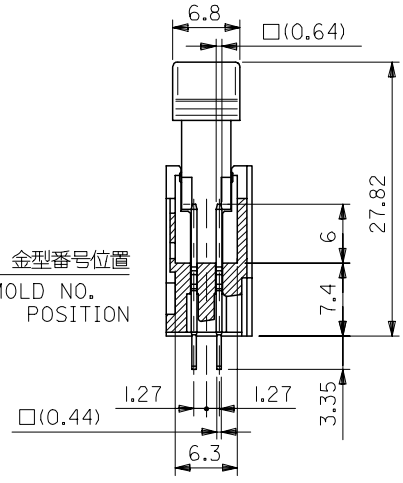
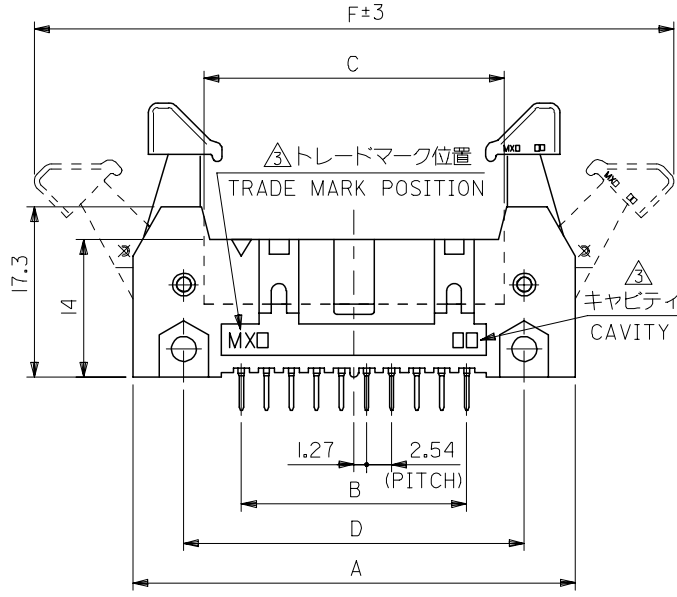
APPLY FOR 10 CKTS. APPLY FOR 14 CKTS.

APPLY FOR 55401-5011,6011,6411.

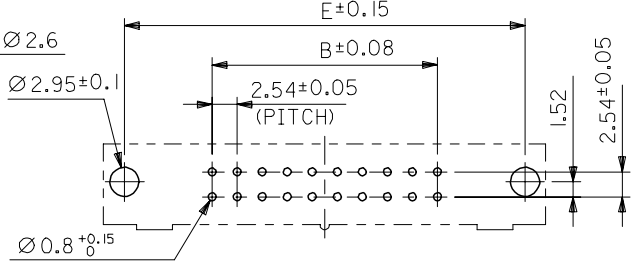
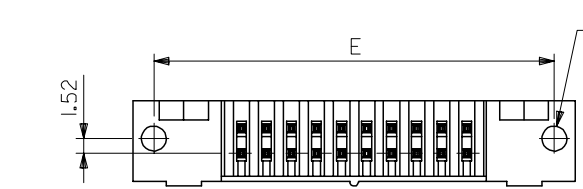
APPLY FOR 55401-5031,6031,6431.

注記 NOTES

- 材料ハウジング : PBT (UL94V-0), 黒色
 レバー : PBT (UL94V-0), 黒色
 ターミナル : リン青銅 (ニッケル下地 錫・金メッキ)
 MATERIAL HOUSING : PBT, UL94V-0, BLACK
 TERMINAL: PHOS.BRO. (Au, Sn PLATING, NI UNDER-PLATING)
 - 嵌合相手 : 54559-***1, 54559-**21 (50極以上は除く) は55401-***19に適用。
 54559-5021,6021,6421,**41は55401-***39に適用。
 MATE WITH : 54559-***11, 54559-**21 (EXCLUDES MORE THAN 50 CKT.)
 SUITS 55401-***19.
 54559-5021,6021,6421,**41 SUITS 55401-***39.
- △ トレードマーク : MXプラス1文字の製造工場を示すアルファベットにて構成
 但し、"J"はJAPANを示す。(例 MX J)
 キャビティ番号 : 1桁の数字で表示
 金型番号 : アルファベット1文字にて構成。
 FORMED BY MX AND I MORE LETTER OF ALPHABET WHICH MEAN THE MANUFACTORY, BUT "J" MEANS JAPAN. (TO TRADE MARK)
 (e.g. MXJ)
 AND BY I DIGIT NUMBER (TO CAVITY NO.)
 AND BY I LETTER OF ALPHABET (TO MOLD NO.)



SECT. L-L



推奨基板厚 : 1.6mm
 RECOMMENDED P.C.BOARD THICKNESS 1.6mm

基板穴推奨寸法

RECOMMENDED P.C.BOARD LAYOUT

120.31	96.52	90.42	86.34	78.74	100.74	55401-6439	64
						55401-6419	
115.23	91.44	85.34	81.26	73.66	95.66	55401-6039	60
						55401-6019	
102.53	78.74	72.64	68.56	60.96	82.96	55401-5039	50
						55401-5019	
89.83	66.04	59.94	55.86	48.26	70.26	55401-4019	40
82.21	58.42	52.32	48.24	40.64	62.64	55401-3419	34
77.13	53.34	47.24	43.16	35.56	57.56	55401-3019	30
72.05	48.26	42.16	38.08	30.48	52.48	55401-2619	26
64.43	40.64	34.54	30.46	22.86	44.86	55401-2019	20
59.35	35.56	29.46	25.38	17.78	39.78	55401-1619	16
56.81	33.02	26.92	22.84	15.24	37.24	55401-1419	14
51.73	27.94	21.84	17.76	10.16	32.16	55401-1019	10
F	E	D	C	B	A	MATERIAL NO. CKT.	
						MODEL NO.	55401-***9

注記 NOTES

4. 本製品は 55401-***1 の鉛フリー品である。
 THIS PRODUCT IS LEAD FREE OF 55401-***1.

材料 MATERIAL	SEE NOTES
仕上げ FINISH	SEE NOTES
適用電線範囲 WIRE RANGE	—
被覆外径 INS. RANGE	—

RELEASED	2004/09/17
EC NO: J2005-0827	2004/09/17
DRAWN: MNABE1	2004/09/17
CHKD: KTOJO	2004/09/17
APPR: NUKITA	2004/09/17
REV: 0	

GENERAL TOLERANCES (UNLESS SPECIFIED)	
10 UNDER	±0.2
10 OVER 30 UNDER	±0.25
30 OVER	±0.3
ANGULAR	±3 °
DRAFT WHERE APPLICABLE MUST REMAIN WITHIN DIMENSIONS	

DIMENSION STYLE		SCALE	DESIGN UNITS
MM ONLY		2:1	METRIC
DRAWN BY	DATE	TITLE	
MNABE1	'04/09/16	2.54 FLAT CABLE CONN HEADER ASSY -LEAD FREE-	
CHECKED BY	DATE	MOLEX INCORPORATED	
KTOJO	'04/09/16	SD-55401-004	
APPROVED BY	DATE	SHEET NO.	
NUKITA	'04/09/16	1 OF 1	
MATERIAL NO.		DOCUMENT NO.	
SEE CHART		SD-55401-004	
THIS DRAWING CONTAINS INFORMATION THAT IS PROPRIETARY TO MOLEX INCORPORATED AND SHOULD NOT BE USED WITHOUT WRITTEN PERMISSION			