

**PLEASE CHECK WWW.MOLEX.COM FOR LATEST PART INFORMATION**

**Part Number:** [0545611001](#)  
**Status:** **Active**  
**Overview:** [qf50](#)  
**Description:** 2.54mm (.100") Pitch QF-50™ Flat Cable Strain Relief, 10 Circuits

**Documents:**

[Drawing \(PDF\)](#) [RoHS Certificate of Compliance \(PDF\)](#)  
[Product Specification PS-54559-005 \(PDF\)](#)

**General**

|                               |                           |
|-------------------------------|---------------------------|
| Product Family                | Accessories               |
| Series                        | <a href="#">54561</a>     |
| Application Tooling Part Link | <a href="#">572525100</a> |
| Component Type                | Strain Relief             |
| Overview                      | <a href="#">qf50</a>      |
| Product Name                  | QF-50™                    |

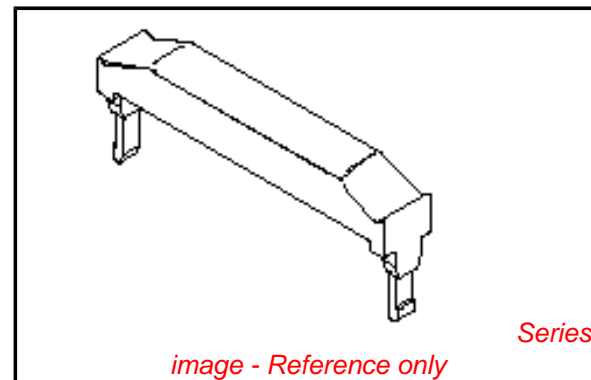
**Physical**

|                               |                |
|-------------------------------|----------------|
| Circuits (Loaded)             | 10             |
| Gender                        | N/A            |
| Packaging Type                | Tray           |
| Temperature Range - Operating | -40°C to +85°C |

**Material Info**

**Reference - Drawing Numbers**

|                       |  |
|-----------------------|--|
| Product Specification | PS-54559-005, RPS-54559-010, RPS-54559-012,<br>RPS-54559-014, RPS-54559-015, RPS-54559-016,<br>RPS-54559-017 |
| Sales Drawing         | SD-54561-002   |



*image - Reference only*

**EU RoHS**

**ELV and RoHS  
Compliant**  
**REACH SVHC  
Contains SVHC: No**  
**Halogen-Free  
Status  
Not Reviewed**

**China RoHS**



**Need more information on product  
environmental compliance?**

Email [productcompliance@molex.com](mailto:productcompliance@molex.com)  
 For a multiple part number RoHS Certificate of  
 Compliance, [click here](#)

Please visit the [Contact Us](#) section for any  
 non-product compliance questions.

**Search Parts in this Series**

[54561Series](#)

**Use With**

[54560](#) Upper Housing, [54559](#) Receptacle  
 Housing

**Application Tooling | [FAQ](#)**

*Tooling specifications and manuals are  
 found by selecting the products below.  
 Crimp Height Specifications are then  
 contained in the Application Tooling  
 Specification document.*

**Japan**

| Description                      | Product #                  |
|----------------------------------|----------------------------|
| Clamp Tool For MIL IDT Connector | <a href="#">0572525100</a> |

10 9 8 7 6 5 4 3 2 1

F

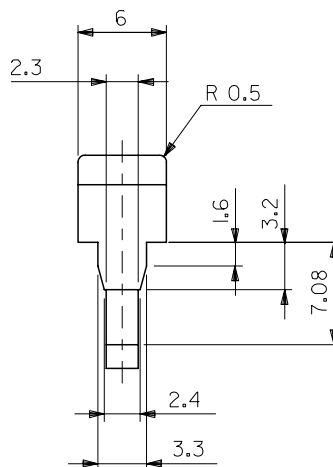
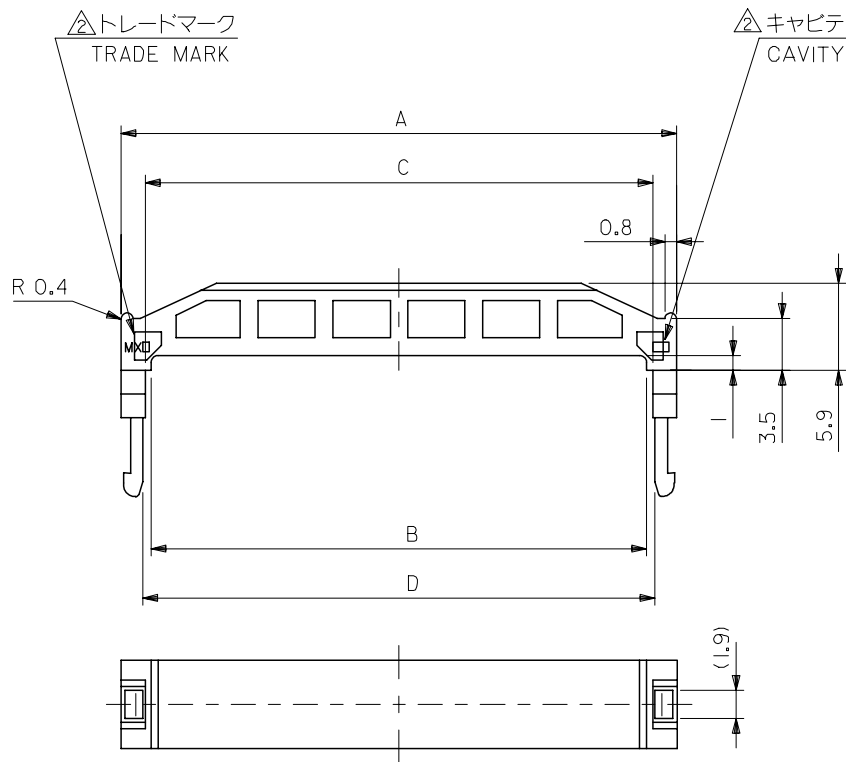
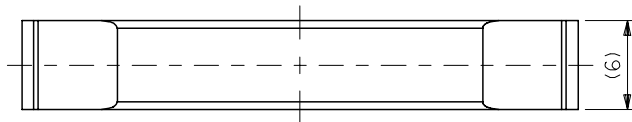
E

D

C

B

A



注記  
NOTES

- 1. 適合ハウジングアッセンブリ : 54559-\*\*1I, 54559-\*\*\*4I  
 APPLICABLE UPPER HSG ASS'Y : 54559-\*\*1I, 54559-\*\*\*4I  
 適合アッパーハウジング : 54560-\*\*0I  
 APPLICABLE STRAIN RELIEF : 54560-\*\*0I

△ トレードマーク : MX プラス 製造工場を示すアルファベットにて構成  
 但し、\* J \* は JAPAN を示す。(例 MX J)  
 キャビティ番号 : 数字で表示。  
 金型番号 : アルファベットにて構成。

FORMED BY MX AND ALPHABET WHICH MEAN  
 THE MANUFACTORY, BUT "J" MEANS JAPAN. (TO TRADE MARK)  
 (e.g. MXJ)  
 AND BY NUMBERS (TO CAVITY NO.)  
 AND BY ALPHABET (TO MOLD NO.)

|       |       |       |       |              |      |
|-------|-------|-------|-------|--------------|------|
| 82.9I | 82.6I | 81.8I | 85.85 | 5456I-640I   | 64   |
| 77.83 | 77.53 | 76.73 | 80.77 | 5456I-600I   | 60   |
| 65.13 | 64.83 | 64.03 | 68.07 | 5456I-500I   | 50   |
| 52.43 | 52.13 | 51.33 | 55.37 | 5456I-400I   | 40   |
| 44.8I | 44.5I | 43.7I | 47.75 | 5456I-340I   | 34   |
| 39.73 | 39.43 | 38.63 | 42.67 | 5456I-300I   | 30   |
| 34.65 | 34.05 | 33.55 | 37.59 | 5456I-260I   | 26   |
| 27.03 | 26.73 | 25.93 | 29.97 | 5456I-200I   | 20   |
| 21.95 | 21.65 | 20.85 | 24.89 | 5456I-160I   | 16   |
| 19.4I | 19.1I | 18.3I | 22.35 | 5456I-140I   | 14   |
| 14.33 | 14.03 | 13.23 | 17.27 | 5456I-100I   | 10   |
| D     | C     | B     | A     | MATERIAL NO. | CKT. |

|                      |                                     |
|----------------------|-------------------------------------|
| 材料<br>MATERIAL       | PBT , UL94V-0 (黒色)<br>(COLOR BLACK) |
| 仕上げ<br>FINISH        | — # —                               |
| 適用電線範囲<br>WIRE RANGE | — # —                               |
| 被覆外径<br>INS. RANGE   | — # —                               |

|                   |            |
|-------------------|------------|
| REVISED           | 2007/04/13 |
| EC NO: J2007-2853 | 2007/04/13 |
| DRWN: MABEI       | 2007/04/13 |
| CHKD: YMAEDA      | 2007/04/13 |
| APPR: NUKITA      | 2007/04/13 |
| J                 |            |

|  |        |
|--|--------|
| GENERAL TOLERANCES<br>(UNLESS SPECIFIED)                   |        |
| 10 UNDER   | ± 0.2  |
| 10 OVER 30 UNDER   | ± 0.25 |
| 30 OVER  | ± 0.3  |
| ANGULAR  | ± 3 °  |
| DRAFT WHERE APPLICABLE<br>MUST REMAIN<br>WITHIN DIMENSIONS |        |

|                            |           |
|----------------------------|-----------|
| DIMENSION STYLE<br>MM ONLY |           |
| DRAWN BY                   | DATE      |
| SMATSUZAKI                 | '99/03/04 |
| CHECKED BY                 | DATE      |
| SKUNISHI                   | '03/08/06 |
| APPROVED BY                | DATE      |
| TYAMAGUCHI                 | '03/08/06 |
| MATERIAL NO.               |           |
| SEE CHART                  |           |
| SIZE                       | A3        |

|  |              |
|--|--------------|
| SCALE  | 3:1          |
| DESIGN UNITS   | METRIC       |
| MODEL NO.  | 5456I-**0I   |
| THIRD ANGLE PROJECTION   |              |
| TITLE  |              |
| 2.54 FLAT CABLE CONN<br>REC STRAIN RELIEF  |              |
| MOLEX MOLEX INCORPORATED   |              |
| DOCUMENT NO.   | SD-54561-002 |
| SHEET NO.  | 1 OF 1       |
| THIS DRAWING CONTAINS INFORMATION THAT IS PROPRIETARY TO MOLEX<br>INCORPORATED AND SHOULD NOT BE USED WITHOUT WRITTEN PERMISSION |              |