

**PLEASE CHECK WWW.MOLEX.COM FOR LATEST PART INFORMATION**

**Part Number:** [0528081870](#)  
**Status:** **Active**  
**Overview:**  
**Description:** 1.00mm (.039") Pitch FFC/FPC Connector, SMT, Vertical, Non-ZIF Receptacle, 18 Circuits, Lead-free

**Agency Certification**

UL E29179

**General**

Product Family FFC/FPC Connectors  
 Series 52808  
 Overview ffc\_fpc\_smt  
 Product Name N/A

**Physical**

Circuits (Loaded) 18  
 Circuits (maximum) 18  
 Color - Resin Natural  
 Contact Position N/A  
 Durability (mating cycles max) 10  
 Entry Angle N/A  
 Flammability 94V-0  
 Mated Height (in) 0.199 In  
 Mated Height (mm) 5.05 mm  
 Material - Metal Phosphor Bronze  
 Material - Plating Mating Tin-Bismuth  
 Material - Plating Termination Tin-Bismuth  
 Material - Resin High Temperature Thermoplastic  
 Number of Rows 1  
 Orientation Vertical  
 PCB Locator No  
 PCB Retention None  
 Packaging Type Embossed Tape on Reel  
 Pitch - Mating Interface (in) 0.039 In  
 Pitch - Mating Interface (mm) 1.00 mm  
 Pitch - Term. Interface (in) 0.039 In  
 Pitch - Term. Interface (mm) 1.00 mm  
 Plating min: Mating (µin) 40  
 Plating min: Mating (µm) 1  
 Plating min: Termination (µin) 40  
 Plating min: Termination (µm) 1  
 Polarized to PCB No  
 Stackable No  
 Surface Mount Compatible (SMC) Yes  
 Temperature Range - Operating -20°C to +80°C  
 Termination Interface: Style Surface Mount  
 Wire/Cable Type FFC/FPC

**Electrical**

Current - Maximum per Contact 0.5A  
 Voltage - Maximum 125V AC (RMS)/DC

**Material Info**

**Reference - Drawing Numbers**

Packaging Specification SPK-52808-001

**EU RoHS**

**ELV and RoHS  
Compliant**

**REACH SVHC**

**Contains SVHC: No**

**Halogen-Free**

**Status**

**Not Reviewed**

**China RoHS**



**Need more information on product  
environmental compliance?**

Email [productcompliance@molex.com](mailto:productcompliance@molex.com)  
 For a multiple part number RoHS Certificate of  
 Compliance, [click here](#)

Please visit the [Contact Us](#) section for any  
 non-product compliance questions.

**Search Parts in this Series**

52808Series

Product Specification

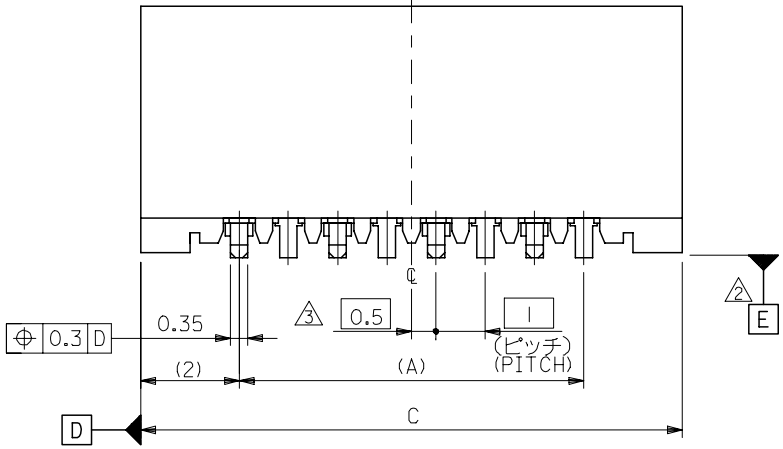
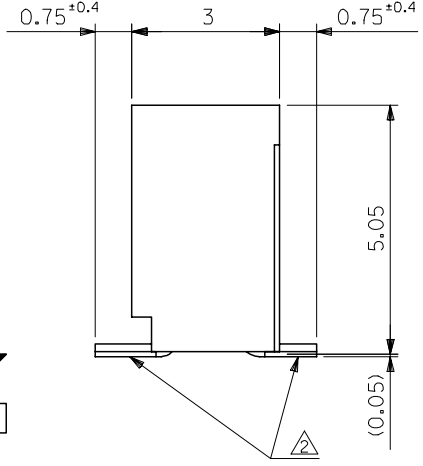
Sales Drawing

PS-52808-004, RPS-52808-039, RPS-52808-044,  
RPS-52808-045, RPS-52808-047, RPS-52808-048,  
RPS-52808-049  
SD-52808-027, SD-52808-028

This document was generated on 06/05/2010

**PLEASE CHECK [WWW.MOLEX.COM](http://WWW.MOLEX.COM) FOR LATEST PART INFORMATION**

10 9 8 7 6 5 4 3 2 1



33	31.05	29	52808-3019	30
32	30.05	28	-2919	29
31	29.05	27	-2819	28
30	28.05	26	-2719	27
29	27.05	25	-2619	26
28	26.05	24	-2519	25
27	25.05	23	-2419	24
26	24.05	22	-2319	23
25	23.05	21	-2219	22
24	22.05	20	-2119	21
23	21.05	19	-2019	20
22	20.05	18	-1919	19
21	19.05	17	-1819	18
20	18.05	16	-1719	17
19	17.05	15	-1619	16
18	16.05	14	-1519	15
17	15.05	13	-1419	14
16	14.05	12	-1319	13
15	13.05	11	-1219	12
14	12.05	10	-1119	11
13	11.05	9	-1019	10
12	10.05	8	-0919	9
11	9.05	7	-0819	8
10	8.05	6	-0719	7
9	7.05	5	-0619	6
8	6.05	4	-0519	5
7	5.05	3	52808-0419	4

注記 NOTES:

1. 使用材料 MATERIAL  
 ハウジング: PPS, UL94V-0 HOUSING : PPS, UL94V-0  
 ターミナル: リン青銅 ( $\epsilon=0.25$ ) TERMINAL : PHOSPHOR BRONZE  
 メッキ: ニッケル下地鍍ビスマスメッキ PLATING : TIN-BISMUTH OVER NICKEL

△ 基準面 [E] からのソルダーテールの半田付け面のズレ量は、  
 上方向に0.1 MAX. 下方向0.15 MAX. とする。  
 MISALIGNMENT OF SOLDER TAIL FROM [E]  
 : UPPER DIRECTION 0.1 MAX. , LOWER DIRECTION 0.15 MAX.

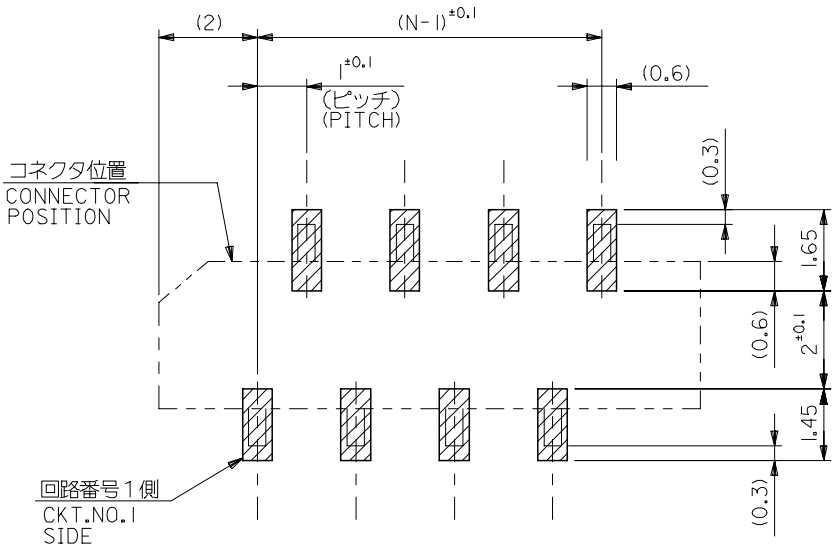
△ 偶数極に適用。  
 APPLY FOR EVEN CKT.

4. 本製品は52808-\*\*-10の鉛フリー品である。  
 THIS PRODUCT IS LEAD FREE OF 52808-\*\*-10

REVISED EC NO: J2006-1497 DRW: NABE1 2005/11/04 CHK: KYOYODA 2005/11/07 APP: NUKITA 2005/11/11	GENERAL TOLERANCES (UNLESS SPECIFIED)		DIMENSION STYLE MM ONLY		SCALE ---	DESIGN UNITS METRIC	THIRD ANGLE PROJECTION	
	10 UNDER	±0.2	DRAWN BY M. NABE1	DATE '04/02/19	TITLE 1.0 FFC CONN. NON ZIF SMT. ST. -LEAD FREE-			
	10 OVER 30 UNDER	±0.25	CHECKED BY M. SASAO	DATE '04/02/19	MATERIAL NO. 52808-**-19			
	30 OVER	±0.3	APPROVED BY M. SASAO	DATE '04/02/19	DOCUMENT NO. SD-52808-027			
ANGULAR ±3 °		DRAFT WHERE APPLICABLE MUST REMAIN WITHIN DIMENSIONS		SIZE A3		SHEET NO. 1 OF 1		
THIS DRAWING CONTAINS INFORMATION THAT IS PROPRIETARY TO MOLEX INCORPORATED AND SHOULD NOT BE USED WITHOUT WRITTEN PERMISSION								



(仕上がり厚さ)  $0.3 \pm 0.03$   
THICKNESS  
適合FPC推奨寸法  
APPLICABLE FPC  
RECOMMENDED DIMENSION.



参考基板レイアウト (マウント面)  
RECOMMENDED P.C.BOARD  
PATTERN DIMENSION. (REF.)  
(MOUNTING AREA)

FPCについて:

- 打抜き方向は、導体側から補強板側を推奨いたします。
- 補強フィルム材質は、ポリイミドを推奨いたします。
- 接着剤は、熱硬化接着剤を推奨いたします。

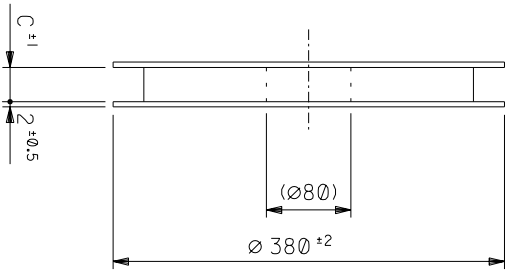
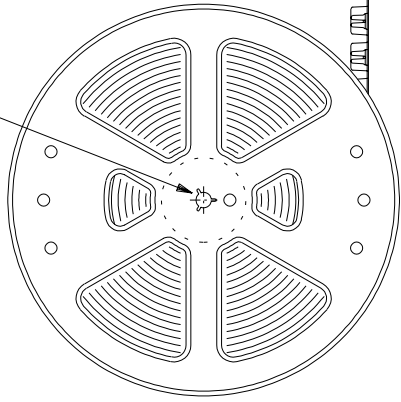
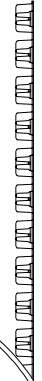
ABOUT FPC:

RECOMMENDED PUNCHER DIRECTION: FROM CONDUCTOR SIDE TO STIFFENER BOARD SIDE.

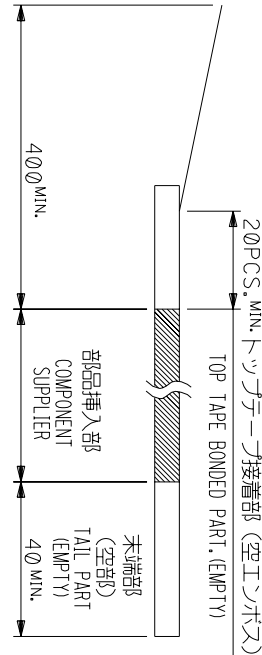
RECOMMENDED MATERIAL:  
STIFFENER FILM: POLYIMIDE  
BONDING AGENT: THERMOSETTING BONDING AGENT

REVISED EC NO: J2006-1497 DRW: NABEI 2005/11/04 CHK: KATOYODA 2005/11/07 APPR: NUKITA 2005/11/11 A	GENERAL TOLERANCES (UNLESS SPECIFIED)		DIMENSION STYLE MM ONLY		SCALE ---	DESIGN UNITS METRIC	THIRD ANGLE PROJECTION	
	10 UNDER	±0.2	DRAWN BY M. NABEI	DATE '04/02/19	TITLE 1.0 FFC CONN. NON ZIF SMT. ST. -LEAD FREE-			
	10 <sup>0</sup> OVER 30 UNDER	±0.25	CHECKED BY M. SASAO	DATE '04/02/19	MOLEX INCORPORATED DOCUMENT NO. SD-52808-027 SHEET NO. 2 OF 2			
	30 OVER	±0.3	APPROVED BY M. SASAO	DATE '04/02/19				
	ANGULAR	±3 °	MATERIAL NO. SEE CHART					
DRAFT WHERE APPLICABLE MUST REMAIN WITHIN DIMENSIONS		SIZE A3	THIS DRAWING CONTAINS INFORMATION THAT IS PROPRIETARY TO MOLEX INCORPORATED AND SHOULD NOT BE USED WITHOUT WRITTEN PERMISSION					

引き出し方向  
PULL OUT



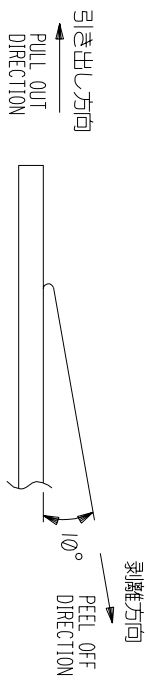
引き出し方向  
PULL OUT DIRECTION



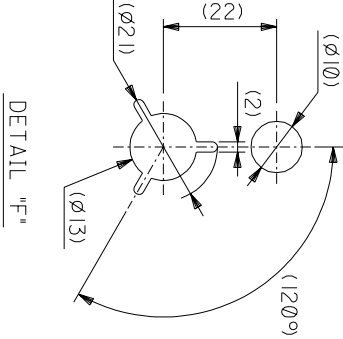
NOTES

- 製品詳細寸法については図面 SD-52808-027 を参照下さい。  
RE DETAILED DIMENSION, SEE SD-52808-027
- 梱包数量: 1000個/リール  
NUMBER OF CONNECTORS: 1000PCS/REEL
- リールテープ長さ LEAD TAPE LENGTH  
20PCS. MIN. トッパテープ接着部 (空エンプティ)

4. トッパテープの剥離強度: 0.1 ~ 1.3N (10 ~ 130gf)  
(剥離方向は下図参照)  
尚、本規格値は出荷時に適用。(但し、輸送時に剥離が発生しないこと。)  
PEELING OFF FORCE OF TOP TAPE: 0.1 ~ 1.3N (10 ~ 130gf)  
(PEELING DIRECTION AS SHOWN IN FOLLOWING FIG.)  
THIS REQUIREMENT SHOULD BE APPLIED AT SHIPMENT.  
PEEL OFF SHOULD NOT BE ALLOWED, DURING TRANSPORTATION.



- 材料(MATERIAL)  
キャリアテープ(CARRIER TAPE): ポリプロピレン(POLYPROPYLENE)  
トッパテープ(TOPTAPE): PET, PE, PEF  
リール(REEL): ポリスチレン(PS) <リサイクル材を含む>  
POLYSTYRENE(PS) RECYCLE MATERIAL CONTAINED>
- 本製品は52808-\*\*-90の鉛フリー品である。  
THIS PRODUCT IS LEAD FREE OF 52808-\*\*-90

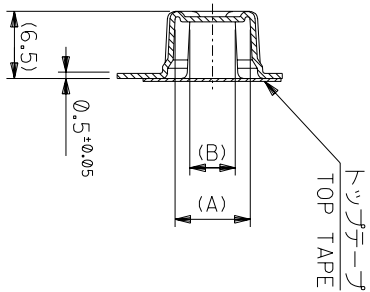


DETAIL "F"

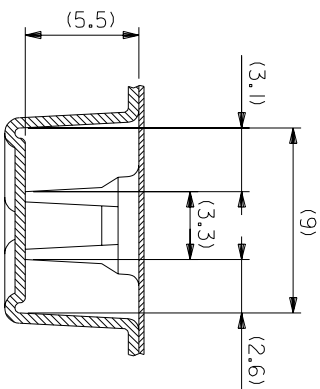
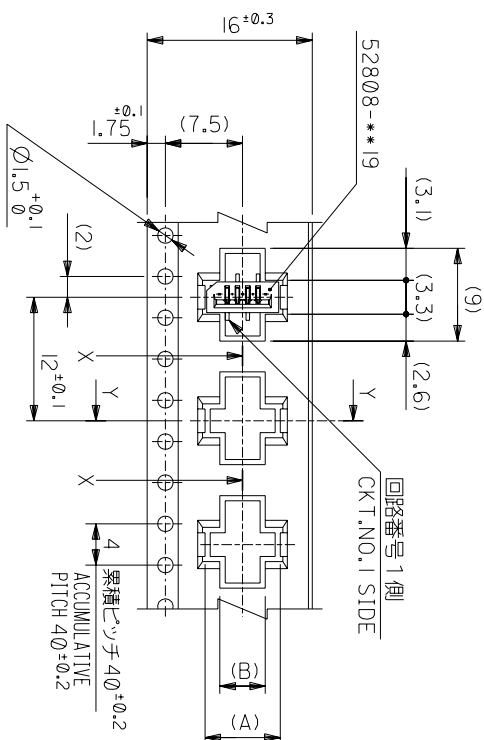
角度 ANGLE	±3°
30以上	±0.3
10以下	±0.25
10未満	±0.2
10未満	±0.2

記号	0	0	0	0	0	0	0	0	0
TR	TR	TR	TR	TR	TR	TR	TR	TR	TR
REVISION RECORD	DR-CHK.	DATE	DATE	DATE	DATE	DATE	DATE	DATE	DATE
材料 MATERIAL	注記参照 SEE NOTES	仕上がり FINISH	#	適用電線範囲 WIRE RANGE	#	検査外径 INS. RANGE	#	材料 MOLEX-JAPAN CO.,LTD.	モレックス株式会社
REVISION ONLY ON CAD SYSTEM	REVISE ONLY ON CAD SYSTEM	TITLE 名称	I.0 FFC Conn NON ZIF	SMT ST Embstd PKG	-LEAD FREE-	DWG. NO.	SD-52808-028	(SHEET 1 OF 6) REV	0
MODEL NO.	52808-**-70								

THIS DRAWING CONTAINS INFORMATION THAT IS PROPRIETARY TO MOLEX/JAPAN AND SHOULD NOT BE USED WITHOUT WRITTEN PERMISSION  
本図面は日本モレックス(株)の所有する権利を有するため、当社の許可なく複製を禁止する。



SECT:Y-Y



16mm幅キャリアテープ  
16mm WIDTH CARRIER TAPE

角度 ANGLE	±3°
30以上	±0.2
10以下	±0.25
10 UNDER	±0.2
30 UNDER	±0.2

記号	新規作成	02004-2528
TR	変更内容	
GENERAL	REVISION RECORD	

DR-CHK.	DATE
M.S.	M/W/02/19
MAN	

仕上げ FINISH	—#—
適用電線範囲 WIRE RANGE	—#—
標準外径 INS. RANGE	—#—
DRAWN BY	M/W/02/19
CHK'D BY	M/W/02/19
APP'D BY	M/W/02/19
SCALE	—#—
尺	M.SASAO
寸	

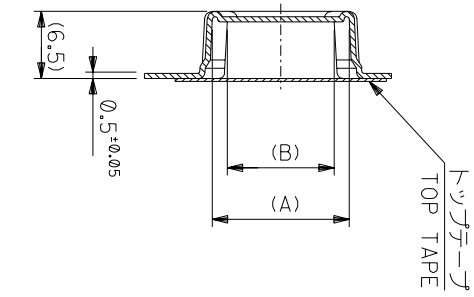
REVISE ONLY ON CAD SYSTEM
TITLE 名称
1.0 FCC CONN NON ZIF
SMT ST EmbsTD PKG
-LEAD FREE-
DWG. NO. SD-52808-028
(SHEET 2 OF 6)
REV 0

MODEL NO.	52808-**-70
CARRIER TAPE WIDTH	16
C	17.5
(B)	5.4
(A)	7.3

MATERIAL SHEET 1 OF 6 参照
REFER TO SHEET 1 OF 6
材料
MATERIAL
キャリアテープ幅
CARRIER TAPE WIDTH
16
5.4
7.3
52808-0570
52808-0470
5
4
種数
CKT.

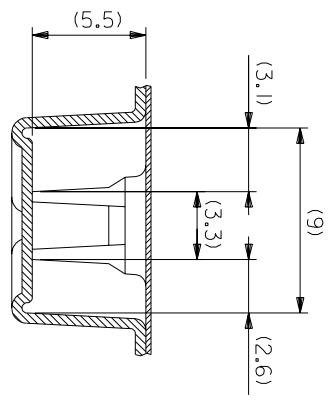
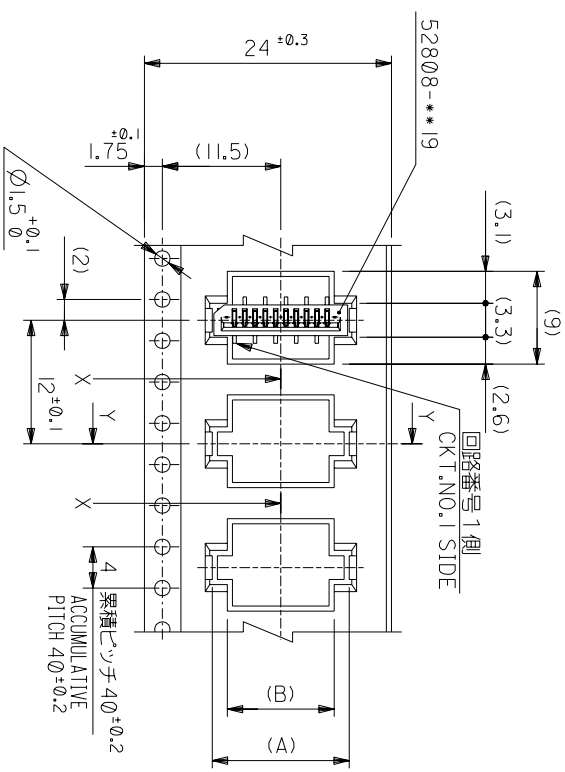
MOLEX-JAPAN CO.,LTD.
日本モリス株式会社

THIS DRAWING CONTAINS INFORMATION THAT IS PROPRIETARY TO MOLEX(JAPAN) AND SHOULD NOT BE USED WITHOUT WRITTEN PERMISSION  
 本図面は日本モリス(株)の所有する情報を含むもので 当社の許可なく複製を禁止する。



SECT:Y-Y

24mm幅キャリアテープ  
24mm WIDTH CARRIER TAPE



SECT:X-X  
(SCALE:4-1)

MODEL NO.	52808-**70	キャリアテープ幅 CARRIER TAPE WIDTH	24	25.5	10.4	13.3	52808-1070	10
		材料 MATERIAL	24	25.5	9.4	12.3	52808-0970	9
		REFER TO SHEET 1 OF 6			8.4	11.3	52808-0870	8
					7.4	10.3	52808-0770	7
					6.4	9.3	52808-0670	6
								種数 CKT.

材料 MATERIAL	参照 REFER TO SHEET 1 OF 6	仕上げ FINISH	適用電線範囲 WIRE RANGE	種番外径 INS. RANGE	DRAWN BY 04/02/19 M.NABEI	CHK'D BY 04/02/19 M.SASAO	尺 SCALE	REV
REVISION RECORD	記号 LTR	変更内容 REVISION	DR- CHK.	DATE	DR- CHK.	DATE	SCALE	REV
新規作成 NEW	0	(12004-2528)	M.N	04/02/19	M.S	04/02/19	1/1	0

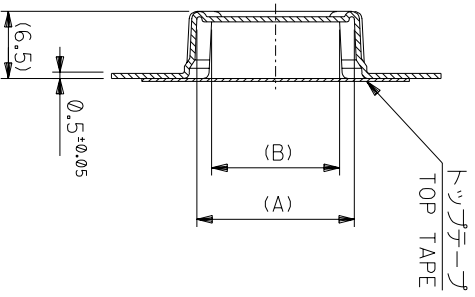
角度 ANGLE	3°
30以上 30 OVER	10.2
10以下 10 UNDER	14.25
未測 UNMEAS	10.2
公差 TOLERANCE	±0.2

THIS DRAWING CONTAINS INFORMATION THAT IS PROPRIETARY TO MOLEX(JAPAN) AND SHOULD NOT BE USED WITHOUT WRITTEN PERMISSION  
本図面は日本モリス(株)の所有する権利を有するもので 当社の許可なく複製を禁止する。

REVISE ONLY ON CAD SYSTEM

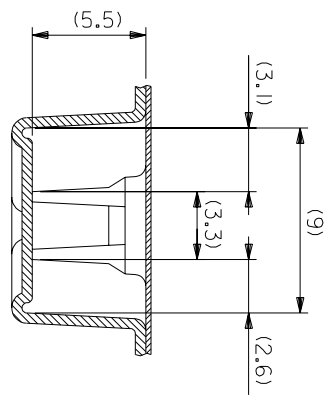
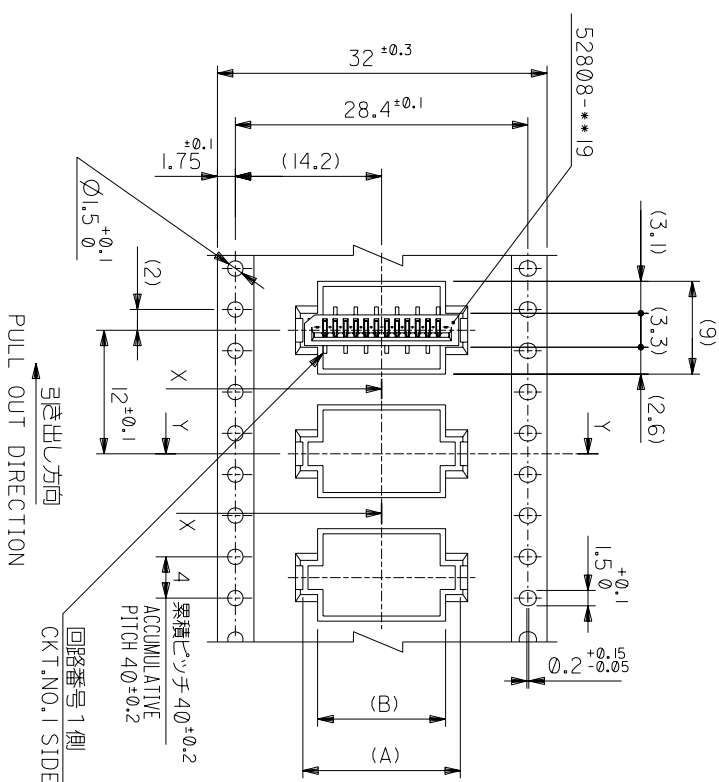
TITLE 名称  
I.O FFC Conn NON ZIF  
SMT ST Embs+D PKG  
-LEAD FREE-

DWG. NO. SD-52808-028 (SHEET 3 OF 6) REV 0



SECT:Y-Y

32mm幅キヤリテープ  
32mm WIDTH CARRIER TAPE



SECT:X-X  
(SCALE:4-1)

MODEL NO.	52808-**-70	キャリアテープ幅 CARRIER TAPE WIDTH	C	(B)	(A)	MATERIAL NO.	種数 CKT.
	32						
	33.5						
	15.4		15.4	18.3	52808-1570	15	
	14.4		14.4	17.3	52808-1470	14	
	13.4		13.4	16.3	52808-1370	13	
	12.4		12.4	15.3	52808-1270	12	
	11.4		11.4	14.3	52808-1170	11	

材料 SHEET 1 OF 6 参照  
REFER TO SHEET 1 OF 6

仕上げ FINISH #

適用電線範囲 適用電線範囲 #

検査外径 検査外径 #

DRAWN BY: M/SASAO (M/W/2/19) CHK'D BY: M/SASAO (M/W/2/19)

APP'D BY: M/SASAO (M/W/2/19) SCALE: #

REVISE ONLY ON CAD SYSTEM

TITLE 名称  
1.0 FFC Conn NON ZIF  
SMT ST Embstp Pkg  
-LEAD FREE-

MOLEX-JAPAN CO.,LTD.  
日本モリス株式会社

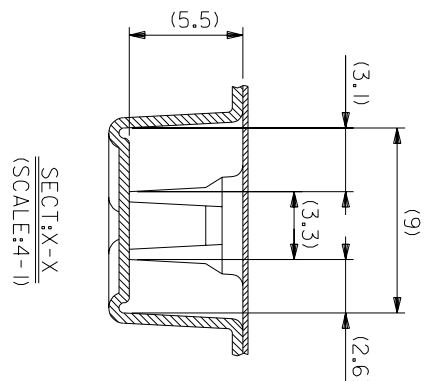
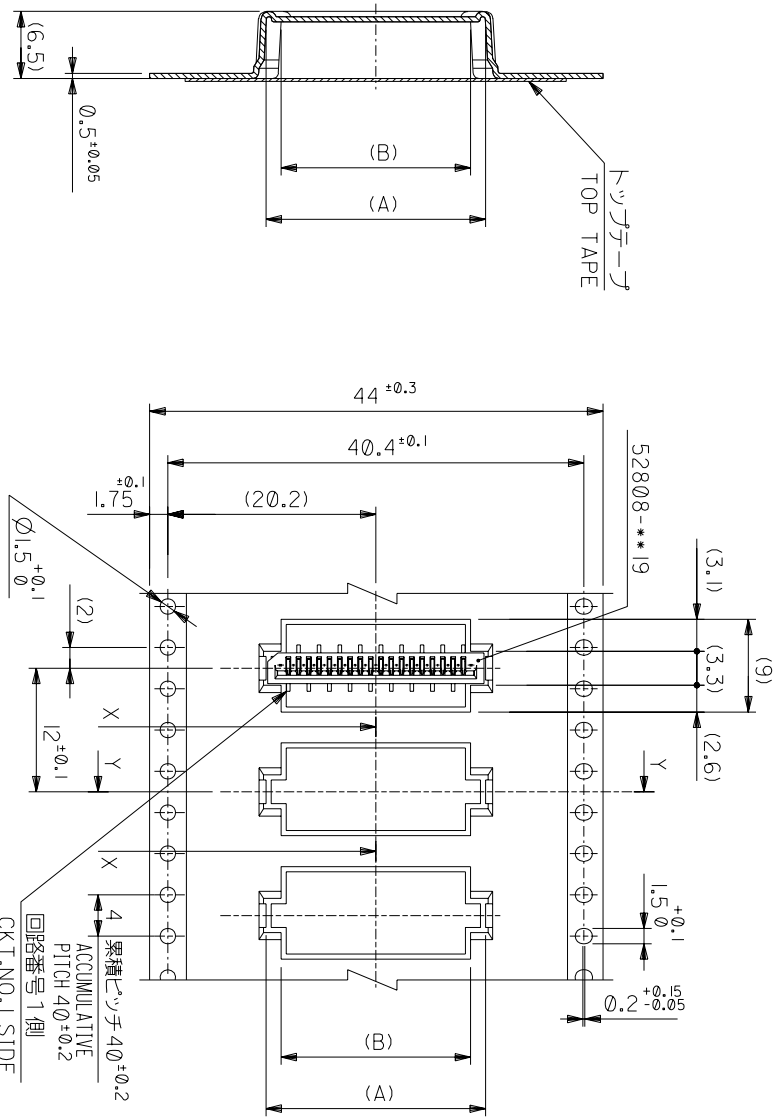
DWG. NO. SD-52808-028 (SHEET 4 OF 6) REV 0

角度 ANGLE	3°
30以上	10.2
10以下	14.25
未満	10.2
10以下	10.2

記号	0	新規作成 (12004-2528)	DR-CHK.	日付
TR		変更内容		
GENERAL TOLERANCES				

THIS DRAWING CONTAINS INFORMATION THAT IS PROPRIETARY TO MOLEX(JAPAN) AND SHOULD NOT BE USED WITHOUT WRITTEN PERMISSION  
本図面は日本モリス(株)の所有する情報を含むもので 当社の許可なく複製を禁止する。





44mm幅キリテープ  
44mm WIDTH CARRIER TAPE

SECT:Y-Y

引き出し方向  
PULL OUT DIRECTION

MODEL NO.	52808-**-70	キャリアテープ幅 CARRIER TAPE WIDTH	44	45.5	C	(B)	(A)	種数 CKT.
MATERIAL	材料	参照	参照	参照	参照	参照	参照	参照
SHEET 1 OF 6	SHEET 1 OF 6	SHEET 1 OF 6	SHEET 1 OF 6	SHEET 1 OF 6	SHEET 1 OF 6	SHEET 1 OF 6	SHEET 1 OF 6	SHEET 1 OF 6
FINISH	仕上げ	---	---	---	---	---	---	---
WIRE RANGE	適用電線範囲	---	---	---	---	---	---	---
INS. RANGE	絶縁外径	---	---	---	---	---	---	---
CHK'D. BY	検査	---	---	---	---	---	---	---
SCALE	尺度	---	---	---	---	---	---	---
MATERIAL NO.	材料番号	---	---	---	---	---	---	---

角度	ANGLE	3°
30以上	30以上	3°
10以下	10以下	3°
10以下	10以下	3°
10以下	10以下	3°

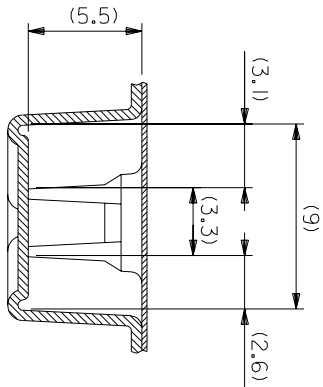
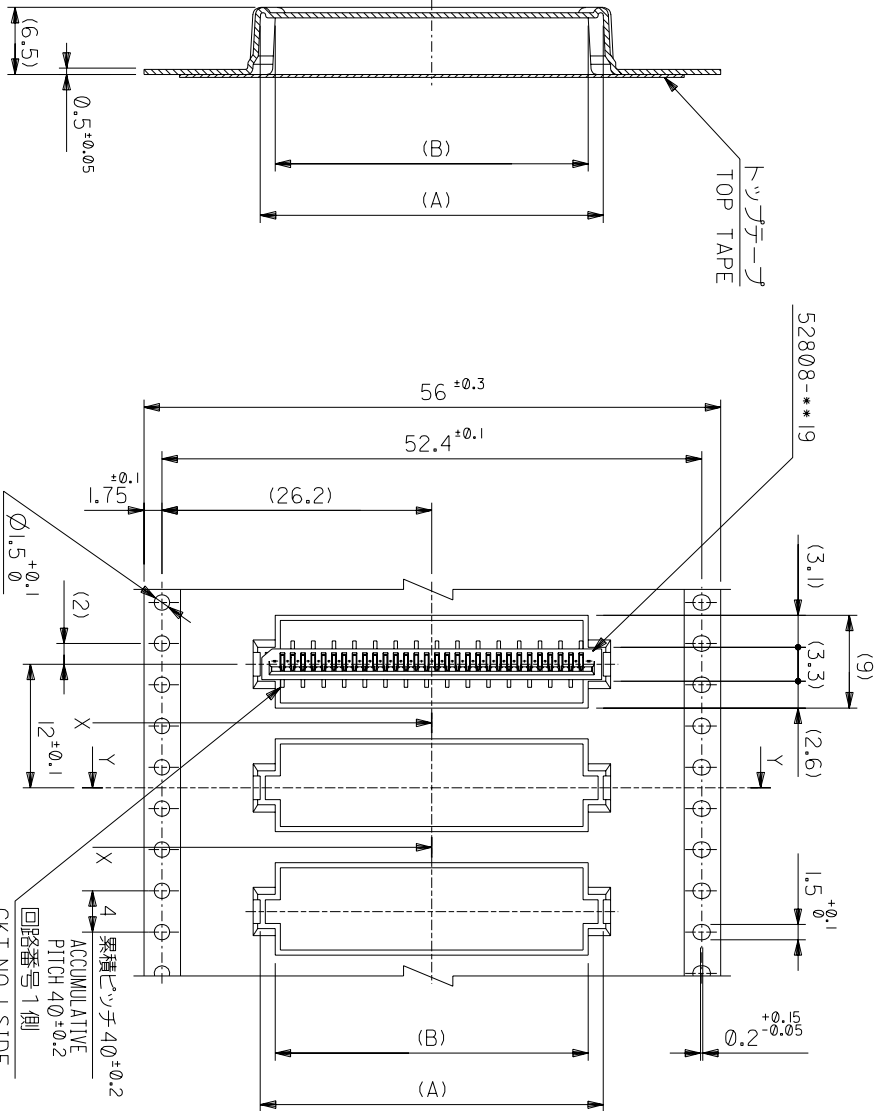
記号	変更内容	DR-CHK.	DATE
0	新製作成 (12004-2528)	---	---
0	変更内容	---	---
0	REVISION RECORD	---	---

MAN	DATE	CHK.	DATE
---	---	---	---
---	---	---	---
---	---	---	---

APP'D. BY	CHK'D. BY	SCALE
M.NABEI	M.SASAO	---
M.NABEI	M.SASAO	---
M.NABEI	M.SASAO	---

REVISE ONLY ON CAD SYSTEM	TITLE 名称	DWG. NO.	REV
---	1.0 FFC Conn NON ZIF SMT ST Embstd Pkg -LEAD FREE-	SD-52808-028	0
---	---	---	---
---	---	---	---

THIS DRAWING CONTAINS INFORMATION THAT IS PROPRIETARY TO MOLEX(JAPAN) AND SHOULD NOT BE USED WITHOUT WRITTEN PERMISSION  
本図面は日本モリス(株)の所有する情報を含むもので 当社の許可なく複製を禁止する。



SECT:Y-Y

56mm幅キヤリヤテープ  
56mm WIDTH CARRIER TAPE

引き出し方向  
PULL OUT DIRECTION

累積ピッチ  $4\phi \pm 0.2$   
ACUMULATIVE PITCH  $4\phi \pm 0.2$   
回路番号 1側  
CKT.NO.1 SIDE

52808-**-70	MODEL NO.	56	57.5	30.4	29.4	33.3	32.3	52808-3070	52808-2970	30	29
56	CARRIER TAPE WIDTH	C	(B)	(A)	MATERIAL NO.	種数	種数	種数	種数	種数	種数

材料 MATERIAL SHEET 1 OF 6 参照 REFER TO SHEET 1 OF 6  
仕上げ FINISH #  
適用電線範囲 適用電線範囲 #  
標準外径 標準外径 #  
INS. RANGE INS. RANGE #

REVISE ONLY ON CAD SYSTEM  
MOLEX JAPAN CO.,LTD.  
日本モリス株式会社

TITLE 名称  
1.0 FFC Conn NON ZIF  
SMT ST Embstp Pkg  
-LEAD FREE-

角度 ANGLE	$\pm 3^\circ$
30以上	$\pm 3^\circ$
10以下	$\pm 4.25$
未測	$\pm 0.2$
10 UNDER	
一般公差	
記号	0
規格作成	(12004-2528)
変更内容	
DR-CHK.	DR-CHK.
DATE	DATE
APP'D BY	M/SASAO
CHK'D BY	M/SASAO
SCALE	#
DWG. NO.	SD-52808-028
(SHEET 6 OF 6)	REV 0