

PLEASE CHECK WWW.MOLEX.COM FOR LATEST PART INFORMATION

Part Number: **0520041010**
Status: **Active**
Description: 1.50mm (.059") Pitch Wire Trap, Push-Cover Style, Vertical, 10 Circuits

Documents:

[3D Model](#)
[Drawing \(PDF\)](#)
[Product Specification PS-52004-001 \(PDF\)](#)
[Product Specification PS-52004-002 \(PDF\)](#)
[RoHS Certificate of Compliance \(PDF\)](#)

General

| | |
|---------------------|-------------------------------------|
| Product Family | Ribbon Cable / Wire Trap Connectors |
| Series | 52004 |
| Comments | Push-Cover |
| Component Type | One Piece |
| Glow-Wire Compliant | No |
| Product Name | Board-In, Wire Trap |

Physical

| | |
|--------------------------------|---------------------|
| Circuits (Loaded) | 10 |
| Entry Angle | Vertical |
| Lock to Mating Part | None |
| Number of Rows | 1 |
| PCB Retention | Yes |
| PCB Thickness Recommended (in) | 0.062 In |
| PCB Thickness Recommended (mm) | 1.60 mm |
| Packaging Type | Tray |
| Pitch - Mating Interface (in) | 0.059 In |
| Pitch - Mating Interface (mm) | 1.50 mm |
| Polarized to Mating Part | N/A |
| Polarized to PCB | Yes |
| Stackable | No |
| Surface Mount Compatible (SMC) | No |
| Temperature Range - Operating | -40°C to +105°C |
| Wire Insulation Diameter | 1.50mm (.059") max. |
| Wire Size AWG | 24, 26 |
| Wire/Cable Type | Ribbon Cable |

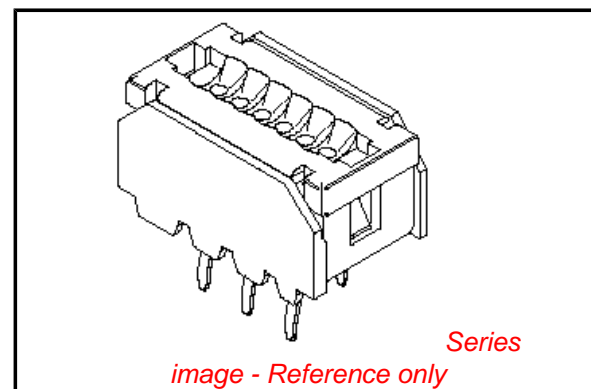
Electrical

| | |
|-------------------------------|------|
| Current - Maximum per Contact | 2.5A |
| Voltage - Maximum | 150V |

Material Info

Reference - Drawing Numbers

| | |
|-----------------------|----------------------------|
| Product Specification | PS-52004-001, PS-52004-002 |
| Sales Drawing | SD-52004-**10 |



EU RoHS

**ELV and RoHS
Compliant**
**REACH SVHC
Contains SVHC: No**
**Halogen-Free
Status**

China RoHS



**Need more information on product
environmental compliance?**

Email productcompliance@molex.com
For a multiple part number RoHS Certificate of Compliance, [click here](#)

Please visit the [Contact Us](#) section for any non-product compliance questions.

Search Parts in this Series

52004Series

Mates With

N/A

Use With

Topcoated ribbon cable

FOR 3~12CKTS.

FOR 13~17CKTS.

(ONLY COVER SHAPE IS DIFFERENT FROM 3~12CKTS.)

NOTES: 1. MATERIAL

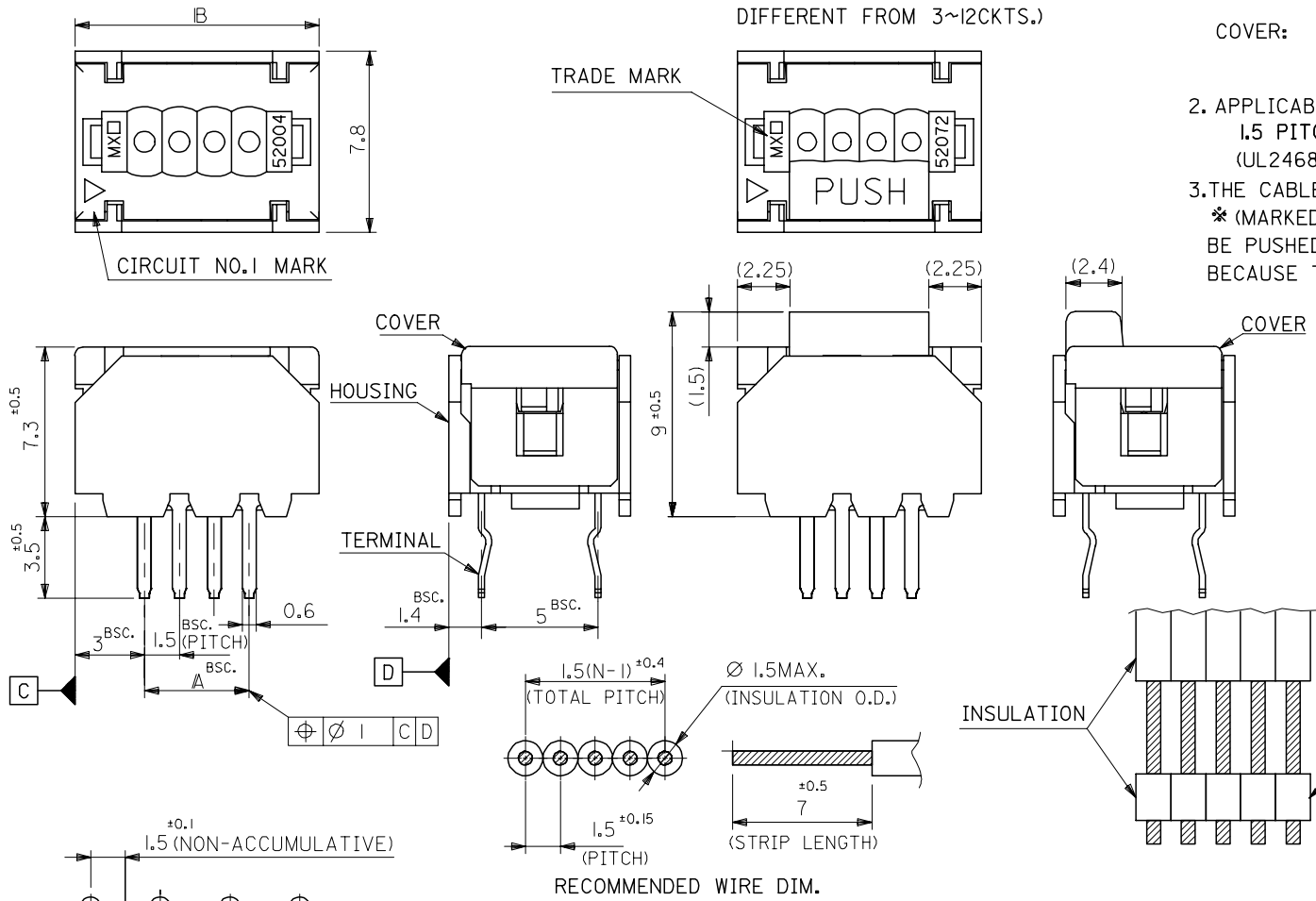
TERMINAL: PHOS-BRO, TIN-PLATED. (t=0.254)
 HOUSING: PBT(15%G.F.), UL94V-0
 G.E. PLASTICS JAPAN LTD.
 VALOX DR-48 UL FILE NO. E45587
 COVER: PBT(30%G.F.), UL94V-0
 G.E. PLASTICS JAPAN LTD.
 VALOX 420-SEO UL FILE NO. E45587

2. APPLICABLE WIRE

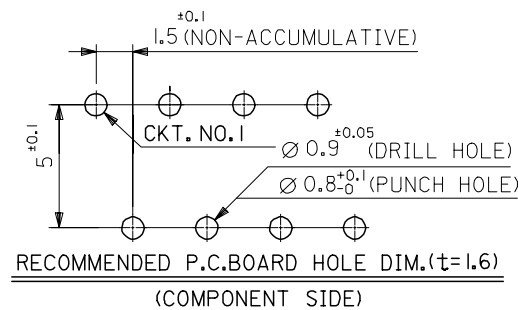
1.5 PITCH RIBBON CABLE
 (UL2468, AWG#24~#26 TOP-COATED WIRE)

3. THE CABLE STRIPED AS SHOWN IN THE FIG.,

* (MARKED INSULATION) PART SHOULD NOT BE PUSHED AND SLID DIRECTLY BY THE COVER, BECAUSE THE COVER MAY BE POSSIBLY PUSHED DOWN.



| | | | |
|------|------|------------|----|
| 30 | 24 | 52004-1710 | 17 |
| 28.5 | 22.5 | -1610 | 16 |
| 27 | 21 | -1510 | 15 |
| 25.5 | 19.5 | -1410 | 14 |
| 24 | 18 | -1310 | 13 |
| 22.5 | 16.5 | -1210 | 12 |
| 21 | 15 | -1110 | 11 |
| 19.5 | 13.5 | -1010 | 10 |
| 18 | 12 | -0910 | 9 |
| 16.5 | 10.5 | -0810 | 8 |
| 15 | 9 | -0710 | 7 |
| 13.5 | 7.5 | -0610 | 6 |
| 12 | 6 | -0510 | 5 |
| 10.5 | 4.5 | -0410 | 4 |
| 9 | 3 | -0310 | 3 |
| IB | A | 52004-0310 | 3 |
| | | ENG. NO. | 極数 |



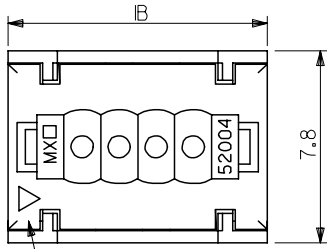
RECOMMENDED WIRE DIM.

RECOMMENDED P.C. BOARD HOLE DIM. (t=1.6)
 (COMPONENT SIDE)

| | | | | | | | | |
|---|---------------------------------------|--|----------------------------|---------------------------|-------------------------------|---|------------------------|--|
| REVISED ECNO: J2004-4815 DRAWN: IDA 2004/08/05 CHK: KHTAKASE 2004/08/05 APPR: JMIYAZAW 2004/08/17 | GENERAL TOLERANCES (UNLESS SPECIFIED) | | DIMENSION STYLE MM ONLY | | SCALE 5:1 | DESIGN UNITS METRIC | THIRD ANGLE PROJECTION | |
| | 10 UNDER | ±0.2 | DRAWN BY SKUNISHI | DATE 86/08/27 | TITLE 1.5 WIRE TRAP CONN. | | | |
| | 10 OVER 30 UNDER | ±0.25 | CHECKED BY HII | DATE 93/01/18 | MOLEX INCORPORATED | | | |
| | 30 OVER | ±0.3 | APPROVED BY MFUKUSHIMA | DATE 93/01/18 | DOCUMENT NO. SD-52004-**10 | SHEET NO. 1 OF 2 | | |
| ANGULAR ±3° | | DRAFT WHERE APPLICABLE MUST REMAIN WITHIN DIMENSIONS | | MATERIAL NO. SEE CHART | | THIS DRAWING CONTAINS INFORMATION THAT IS PROPRIETARY TO MOLEX INCORPORATED AND SHOULD NOT BE USED WITHOUT WRITTEN PERMISSION | | |

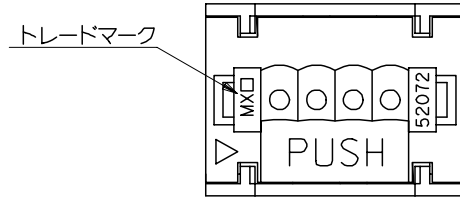
10 9 8 7 6 5 4 3 2 1

3極から12極の形状



13極から17極の形状

(カバーの形状のみ異なる)



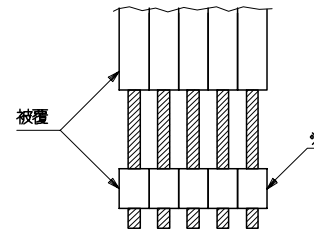
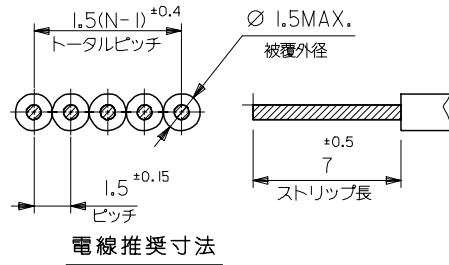
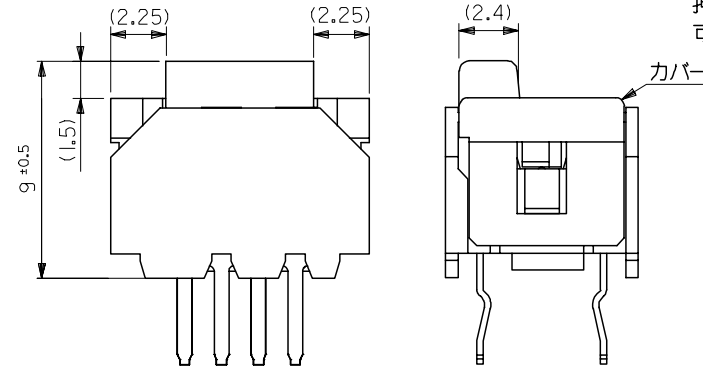
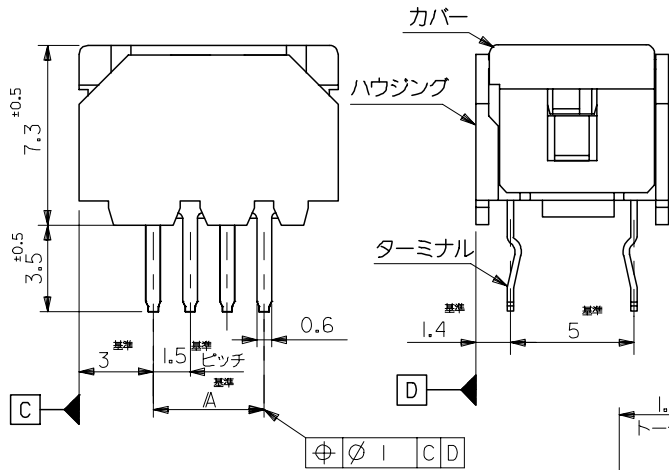
(注記) 1. 材質

ターミナル: 磷青銅材, 錫メッキ (t=0.254)
 ハウジング: PBT(15%G.F.),UL94V-0
 G.E. PLASTICS JAPAN LTD.
 VALOX DR-48 UL FILE NO. E45587
 カバー: PBT(30%G.F.),UL94V-0
 G.E. PLASTICS JAPAN LTD.
 VALOX 420-SEO UL FILE NO. E45587

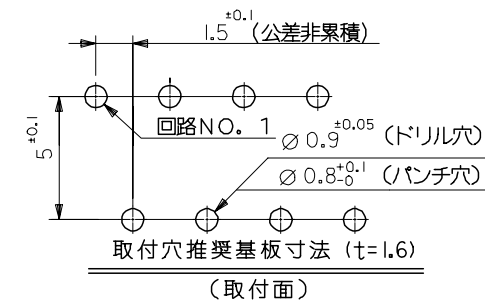
2. 適用電線

1. 5mmピッチリボンケーブル。
 (UL2468、AWG#24~#26錫コート線)

3. 下図の様な端末処理ケーブルにて、*部を直接カバーに押し付けスライドさせる使用法はカバーが押し下げられる可能性があるため不可。



| | | | |
|------|------|------------|----|
| 30 | 24 | 52004-1710 | 17 |
| 28.5 | 22.5 | -1610 | 16 |
| 27 | 21 | -1510 | 15 |
| 25.5 | 19.5 | -1410 | 14 |
| 24 | 18 | -1310 | 13 |
| 22.5 | 16.5 | -1210 | 12 |
| 21 | 15 | -1110 | 11 |
| 19.5 | 13.5 | -1010 | 10 |
| 18 | 12 | -0910 | 9 |
| 16.5 | 10.5 | -0810 | 8 |
| 15 | 9 | -0710 | 7 |
| 13.5 | 7.5 | -0610 | 6 |
| 10.5 | 4.5 | -0410 | 4 |
| 9 | 3 | -0310 | 3 |
| IB | A | 52004-0310 | 極数 |



電線推奨寸法

| | | | | | | | | |
|--|--|------------------------|----------------------------|---|--|-------------------------------|----------------------------|------------------------------------|
| REVISED ECNNO: J2004-4815 DRAWN: IDA 2004/08/05 CHK: KHTAKASE 2004/08/05 APPR: JMIYAZAW 2004/08/17 | GENERAL TOLERANCES (UNLESS SPECIFIED) | | DIMENSION STYLE MM ONLY | | SCALE 5:1 | DESIGN UNITS METRIC | THIRD ANGLE PROJECTION | |
| | 10 UNDER ±0.2 | 10 OVER 30 UNDER ±0.25 | 30 OVER ±0.3 | ANGULAR ±3 ° | DRAFT WHERE APPLICABLE MUST REMAIN WITHIN DIMENSIONS | DRAWN BY SKUNISHI 86/08/27 | CHECKED BY HII 93/01/18 | APPROVED BY MFUKUSHIMA 93/01/18 |
| | SEE CHART | | | TITLE 1.5 WIRE TRAP CONN. (JAPAN) | | MOLEX INCORPORATED | | SHEET NO. 2 OF 2 |
| | THIS DRAWING CONTAINS INFORMATION THAT IS PROPRIETARY TO MOLEX INCORPORATED AND SHOULD NOT BE USED WITHOUT WRITTEN PERMISSION | | | DOCUMENT NO. SD-52004-**10 | | ZF06100.0241452004.506:1 | | |