

PLEASE CHECK WWW.MOLEX.COM FOR LATEST PART INFORMATION

Part Number: [0513000412](#)
Status: **Active**
Description: CRC™ Shielded Rectangular I/O Receptacle Housing for Female Terminal, Power, 4 Circuits, Polarization Type B, Polarization Position A-2

Documents:

[Drawing \(PDF\)](#) [Product Specification PS-51300-005 \(PDF\)](#)
[Product Specification PS-51300-004 \(PDF\)](#) [RoHS Certificate of Compliance \(PDF\)](#)

Agency Certification

CSA	LR19980
TUV	R72081037
UL	E29179

General

Product Family	I/O Connectors
Series	51300
Application	Panel-Mount, Wire-to-Wire
Component Type	Housing
Product Name	CRC™
Type	N/A

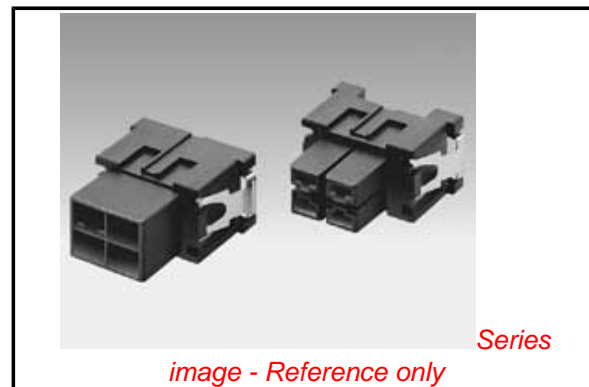
Physical

Boot Color	N/A
Circuits (Loaded)	N/A
Circuits (maximum)	4
Color - Resin	Black
Durability (mating cycles max)	100
Flammability	94V-0
Gender	Female
Keying to Mating Part	Yes
Lock to Mating Part	Yes
Material - Metal	Stainless Steel
Material - Plating Mating	n/a
Material - Resin	Polyester
Number of Rows	2
Orientation	Vertical
PCB Locator	No
Packaging Type	Tray
Panel Mount	Front, Rear
Pitch - Mating Interface (in)	0.189 In
Pitch - Mating Interface (mm)	4.80 mm
Pitch - Term. Interface (in)	0.189 In
Pitch - Term. Interface (mm)	4.80 mm
Polarized to Mating Part	Yes
Polarized to PCB	N/A
Ports	1
Surface Mount Compatible (SMC)	No
Temperature Range - Operating	-40°C to +105°C
Termination Interface: Style	N/A
Waterproof / Dustproof	No

Electrical

Current - Maximum per Contact	15A
Voltage - Maximum	250V AC (RMS)/DC

Material Info



EU RoHS

**ELV and RoHS
Compliant**
**REACH SVHC
Contains SVHC: No**
Halogen-Free
**Status
Not Reviewed**

China RoHS



**Need more information on product
environmental compliance?**

Email productcompliance@molex.com
For a multiple part number RoHS Certificate of Compliance, [click here](#)

Please visit the [Contact Us](#) section for any non-product compliance questions.

Search Parts in this Series

[51300Series](#)

Mates With

[55887](#) plug assembly set, [55891](#) plug housing

Use With

[56377-120*](#) receptacle shell, [56194](#) female terminal

Reference - Drawing Numbers

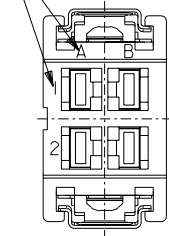
Product Specification
Sales Drawing

PS-51300-004, PS-51300-005
SD-51300-003

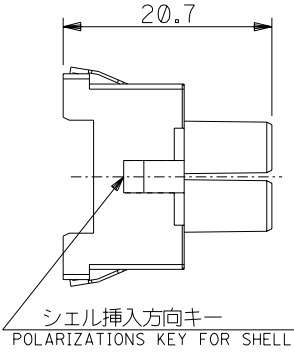
This document was generated on 04/12/2010

PLEASE CHECK WWW.MOLEX.COM FOR LATEST PART INFORMATION

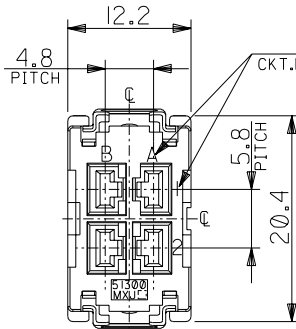
回路番号表示
CKT.No.IDENTIFICATION



電線挿入側
WIRE SIDE



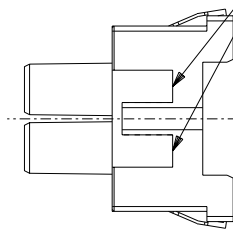
シェル挿入方向キー
POLARIZATIONS KEY FOR SHELL



嵌合側
MATING SIDE

回路番号表示
CKT.No.IDENTIFICATION

シェル挿入方向キー
POLARIZATIONS KEY FOR SHELL



注記
NOTES

- 材質
MATERIAL
①ハウジング：ガラス入りPBT樹脂
HOUSING : PBT G.F.
UL94V-0 色：黒
UL94V-0 COLOR : BLACK
②スプリング：ステンレス鋼 t0.3
SPRING : STAINLESS STEEL t0.3
- 適用端子：56194-9*85
APPLICABLE CRIMP SOCKET : 56194-9*85
- 適用リセプタクル シェル：56377-12**
APPLICABLE RECEPTACLE SHELL : 56377-12**
- 嵌合相手：55891-040*
MEET WITH : 55891-040*

<誤嵌合防止キー（極性）タイプ>
<POLARITY KEY TYPE>

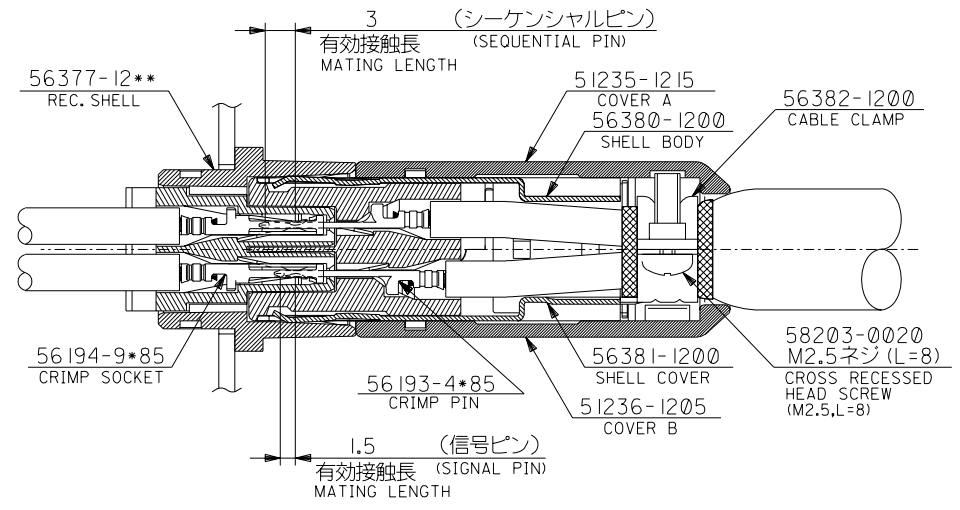
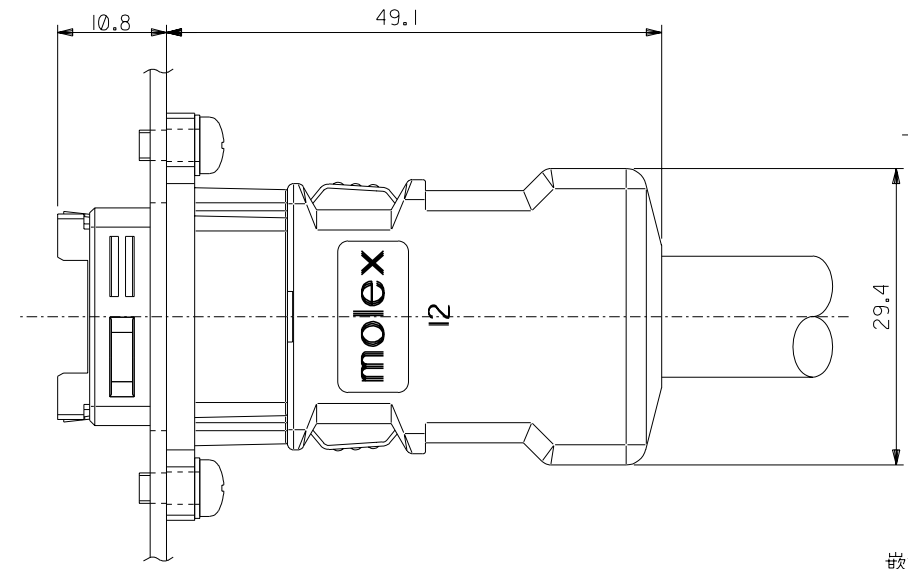
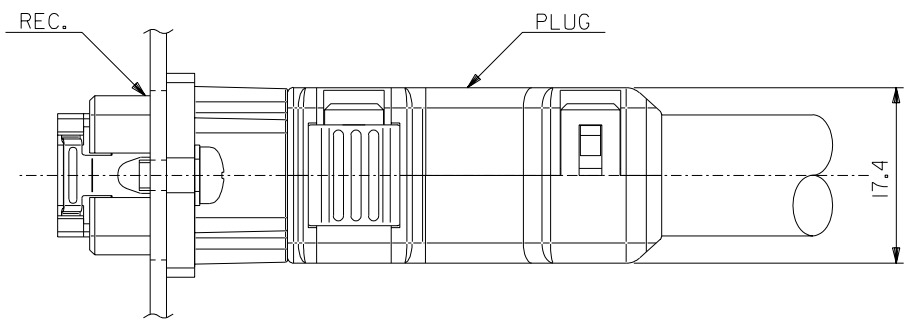
51300-0411	51300-0412	51300-0413	51300-0414
A TYPE (CKT No. A-1)	B TYPE (CKT No. A-2)	C TYPE (CKT No. B-1)	D TYPE (CKT No. B-2)

D	51300-0414	51300-041*	4
C	51300-0413		
B	51300-0412		
A	51300-0411		
POLARITY TYPE	MATERIAL No.	MODEL No.	CIRCUIT

DO NOT SCALE DRAWING

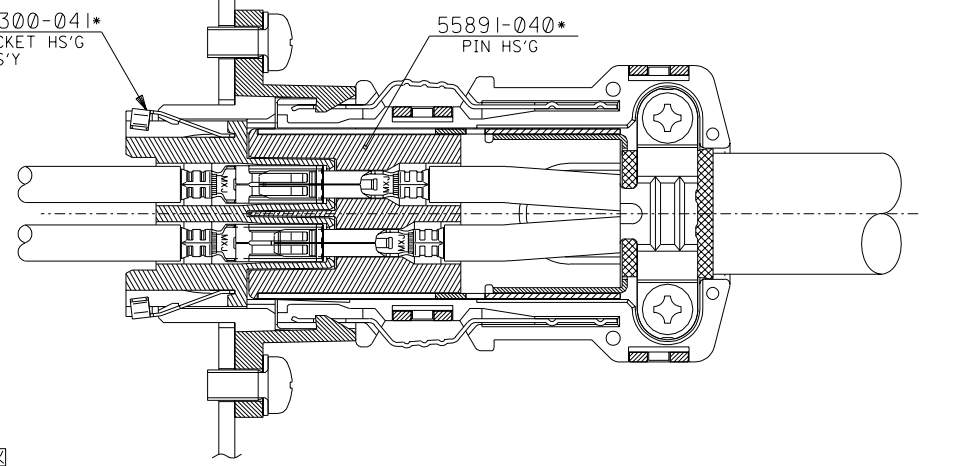
EC NO. DRWN: CHK: APPR:	EC NO. DRWN: CHK: APPR:	EC NO. DRWN: CHK: APPR:	REVISED 02/04/15 EC NO. J2002-2601 DRWN: S.AKIYAMA CHK: J.MIYAZAWA APPR: YO.ITO	0 RELEASED 01/10/12 EC NO. J2002-0854 DRWN: S.AKIYAMA CHK: J.MIYAZAWA APPR: YO.ITO	DESCRIPTION MATERIAL 材料 FINISH 仕上げ WIRE RANGE 適用電線範囲 INS. RANGE 被覆外径	注記参照 SEE NOTES #	GENERAL TOLERANCES: (UNLESS SPECIFIED) 一般公差 10 UNDER 未満 ±0.2 10 OVER 30 UNDER 未満 ±0.25 30 OVER 以上 ±0.3 ANGLE 角度 ±3°	SCALE 2-1 DESIGN UNITS <input checked="" type="checkbox"/> mm <input type="checkbox"/> INCH THIRD ANGLE PROJECTION <input type="checkbox"/> mm ONLY	TITLE: COMPACT ROBOT CONN. POWER REC. SOCKET HS'G ASS'Y Molex MOLEX INCORPORATED	SHT 4 REV REVISION ON CAD ONLY
			A	0					CAD FILENAME 51300003.S01 MATERIAL NO. SEE CHART DRAWING NO. SD-51300-003 SHEET NO. 1 OF 4	THIS DRAWING CONTAINS INFORMATION THAT IS PROPRIETARY TO MOLEX INCORPORATED AND SHOULD NOT BE USED WITHOUT WRITTEN PERMISSION.

DWG. NO. SD-51300-003



嵌合図

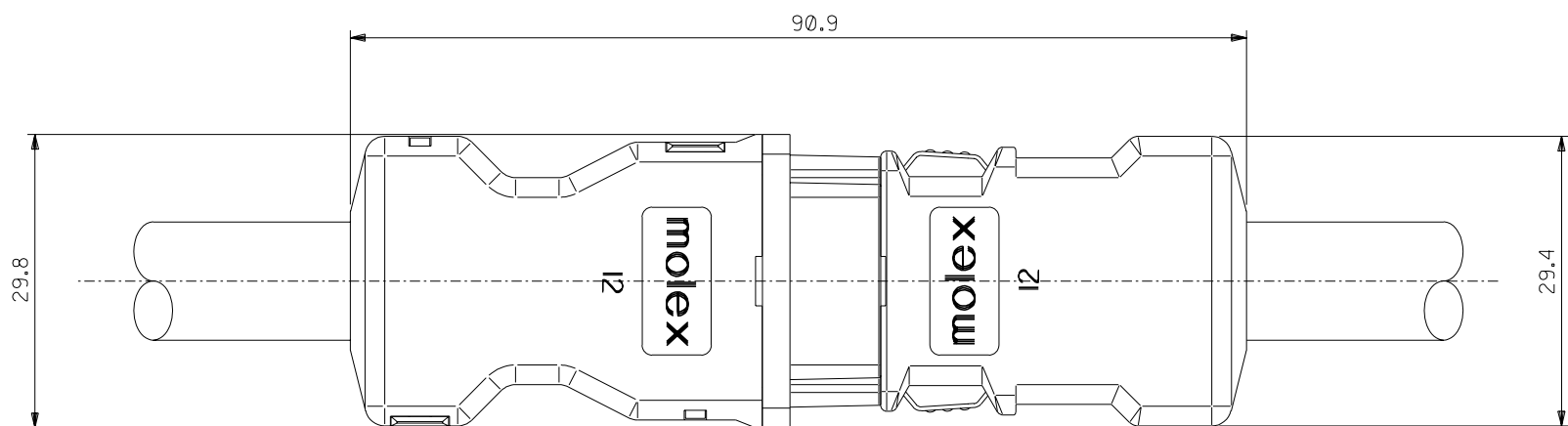
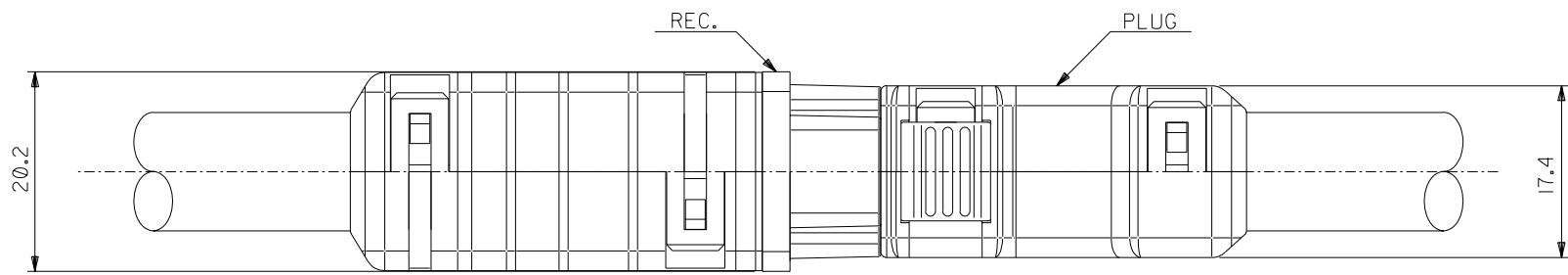
CROSS-SECTION VIEW OF MATED CONNECTOR



DO NOT SCALE DRAWING

EC NO. DRWN: CHK: APPR:		EC NO. DRWN: CHK: APPR:		EC NO. DRWN: CHK: APPR:		REVISED '02/04/15 EC NO. J2002-2601 DRWN: S.AKIYAMA CHK: J.MIYAZAWA APPR: YO.ITO		A		REVISED '01/10/12 EC NO. J2002-0854 DRWN: S.AKIYAMA CHK: J.MIYAZAWA APPR: YO.ITO		0		DESCRIPTION		MATERIAL 材料		GENERAL TOLERANCES: (UNLESS SPECIFIED) 一般公差		SCALE 2-1		DESIGN UNITS <input checked="" type="checkbox"/> mm <input type="checkbox"/> INCH		THIRD ANGLE PROJECTION		DIMENSIONS: <input type="checkbox"/> mm <input type="checkbox"/> INCH <input checked="" type="checkbox"/> mm ONLY		SHT REVISE ON CAD ONLY													
FINISH 仕上げ		WIRE RANGE 適用線径範囲		INS. RANGE 被覆外径		注記参照 SEE NOTES		#		#		#		#		ANGLE 角度		±0.2		±0.25		±0.3		±3°		DRAWN BY & DATE <i>S. Akizama</i> '01/10/11		CHECKED BY & DATE <i>J. Marawa</i>		APPROVED BY & DATE <i>Y. Ito</i>		CAD FILENAME 51300003.S02		TITLE: COMPACT ROBOT CONN. POWER REC. SOCKET HS'G ASS'Y		MATERIAL NO. SEE CHART		DRAWING NO. SD-51300-003		SHEET NO. 2 OF 4	
MOLEX INCORPORATED		MATERIAL NO.		DRAWING NO.		SHEET NO.		EN-02J(097) MXJ-54		THIS DRAWING CONTAINS INFORMATION THAT IS PROPRIETARY TO MOLEX INCORPORATED AND SHOULD NOT BE USED WITHOUT WRITTEN PERMISSION.		SIZE B		A		97500003.S02																									

DWG. NO.
SD-51300-003



嵌合図 (中継タイプ)
CROSS-SECTION VIEW OF MATED CONNECTOR
(WIRE TO WIRE TYPE)

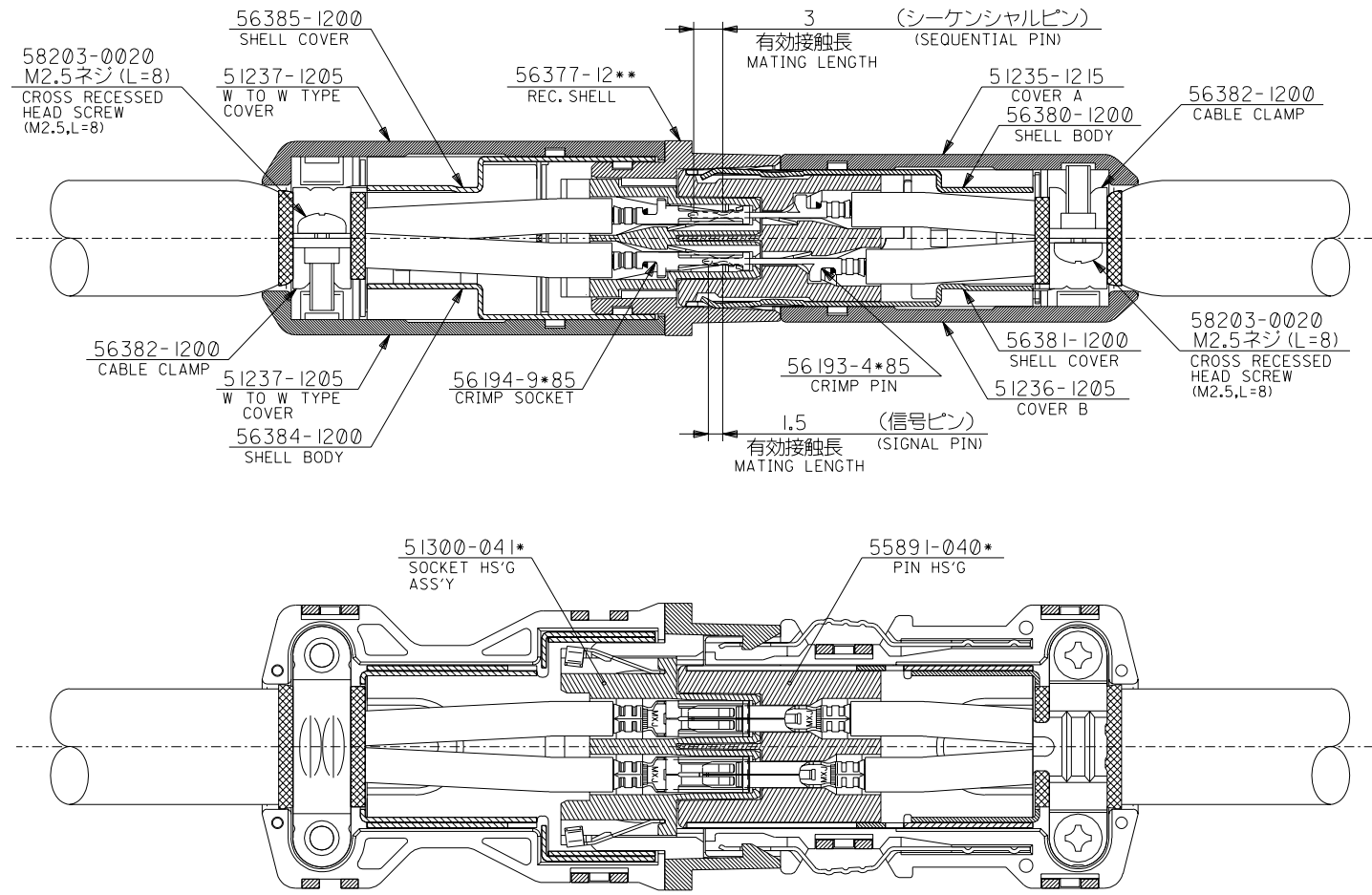
DO NOT SCALE DRAWING

EC NO. DRWN: CHK: APPR:	EC NO. DRWN: CHK: APPR:	EC NO. DRWN: CHK: APPR:	REVISED '02/04/15	MATERIAL 材料	GENERAL TOLERANCES: (UNLESS SPECIFIED) 一般公差	SCALE	DESIGN UNITS	THIRD ANGLE PROJECTION	DIMENSIONS:		SHT	REV
			EC NO. J2002-2601 DRWN: S.AKIYAMA CHK: J.MIYAZAWA APPR: YO.ITO			10 UNDER 未滿	2-1		<input checked="" type="checkbox"/> mm <input type="checkbox"/> INCH	<input type="checkbox"/> mm <input type="checkbox"/> INCH	<input checked="" type="checkbox"/> mm ONLY	REVISION ON CAD ONLY
A	0	0	RELEASED '01/10/12	FINISH 仕上げ	注記参照 SEE NOTES	10 OVER 30 UNDER 以上 未滿	<input checked="" type="checkbox"/> mm <input type="checkbox"/> INCH	DRAWN BY & DATE <i>S. Akiyama</i> '01/10/11	TITLE: COMPACT ROBOT CONN. POWER REC. SOCKET HS'G ASS'Y			
			EC NO. J2002-0854 DRWN: S.AKIYAMA CHK: J.MIYAZAWA APPR: YO.ITO			30 OVER 以上	30 OVER 30 UNDER 以上 未滿					
REV	INS. RANGE 被覆外径	WIRE RANGE 適用配線範囲	ANGLE 角度	APPROVED BY & DATE <i>Y. Ito</i>	MOLEX INCORPORATED		CAD FILENAME 51300003.S03	MATERIAL NO. SEE CHART	DRAWING NO. SD-51300-003	SHEET NO. 3 OF 4	SIZE B	

THIS DRAWING CONTAINS INFORMATION THAT IS PROPRIETARY TO MOLEX INCORPORATED AND SHOULD NOT BE USED WITHOUT WRITTEN PERMISSION.

513000003.S03

DWG. NO. SD-51300-003



嵌合図 (中継タイプ)
CROSS-SECTION VIEW OF MATED CONNECTOR
(WIRE TO WIRE TYPE)

DO NOT SCALE DRAWING

EC NO. DRWN: CHK: APPR:	EC NO. DRWN: CHK: APPR:	EC NO. DRWN: CHK: APPR:	REVISED 02/04/15 EC NO. J2002-2601 DRWN: S.AKIYAMA CHK: J.MIYAZAWA APPR: YO.ITO	REVISED 01/10/12 EC NO. J2002-0854 DRWN: S.AKIYAMA CHK: J.MIYAZAWA APPR: YO.ITO	MATERIAL 材料 注記参照 SEE NOTES	GENERAL TOLERANCES: (UNLESS SPECIFIED) 一般公差	SCALE 2-1	DESIGN UNITS <input checked="" type="checkbox"/> mm <input type="checkbox"/> INCH	<input checked="" type="checkbox"/> THIRD ANGLE <input type="checkbox"/> PROJECTION	DIMENSIONS: <input type="checkbox"/> mm <input type="checkbox"/> INCH <input checked="" type="checkbox"/> mm ONLY	SHT REVISE ON CAD ONLY	REV
			A	0	DESCRIPTION #	10 UNDER 未満 ±0.2	DRAWN BY & DATE S. Akiyama 01/10/11	TITLE: COMPACT ROBOT CONN. POWER REC. SOCKET HS'G ASS'Y				
					FINISH 仕上げ #	10 OVER 30 UNDER 未満 ±0.25	CHECKED BY & DATE J. Marawa	Molex MOLEX INCORPORATED				
					WIRE RANGE 適用電線範囲 #	30 OVER 以上 ±0.3	APPROVED BY & DATE Y. Ota	CAD FILENAME 51300003.S04	MATERIAL NO. SEE CHART	DRAWING NO. SD-51300-003	SHEET NO. 4 OF 4	SIZE B
					INS. RANGE 被覆外径 #	ANGLE 角度 ±3°	THIS DRAWING CONTAINS INFORMATION THAT IS PROPRIETARY TO MOLEX INCORPORATED AND SHOULD NOT BE USED WITHOUT WRITTEN PERMISSION.					EN-02J(097) MXJ-54

51300003.S04