

PLEASE CHECK WWW.MOLEX.COM FOR LATEST PART INFORMATION

Part Number: [0502313584](#)
Status: **Active**
Description: Ring Tongue Terminal for 14 and 16 AWG, Closed Insulated Vinyl Flared Barrel, Blue, Stud Size 8 (M4), Oxygen-Free Copper, Length 21.10mm (.831")

Documents:

[Drawing \(PDF\)](#) [RoHS Certificate of Compliance \(PDF\)](#)
[Product Specification PS-50230-001 \(PDF\)](#)

General

Product Family	Ring and Spade Terminals
Series	50231
Crimp Quality Equipment	Yes
Mil-Spec	N/A
Product Name	RBV (Ring Vinyl Flared)
Type	Ring

Physical

Barrel Type	Closed - Brazed
Color - Resin	Blue
Insulation	PVC
Material - Plating Mating	Tin
Packaging Type	Bag
Plating min: Mating (µin)	40
Plating min: Mating (µm)	1
Plating min: Termination (µin)	40
Plating min: Termination (µm)	1
Stud Size	8 (M4)
Termination Interface: Style	Crimp or Compression
Wire Size AWG	14, 16
Wire Size mm ²	1.04 - 2.63

Material Info

Reference - Drawing Numbers

Product Specification	PS-50230-001
Sales Drawing	SD-50231-001



Series
image - Reference only

EU RoHS

ELV and RoHS
Compliant
REACH SVHC
 Not Reviewed
Halogen-Free
Status
Not Reviewed

China RoHS

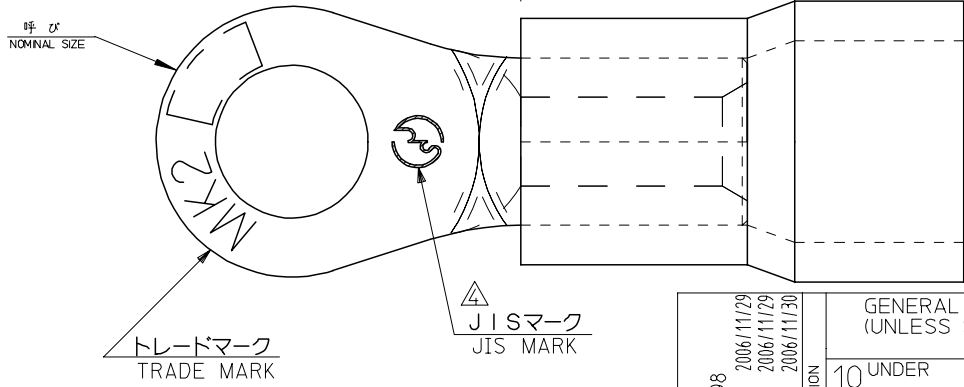
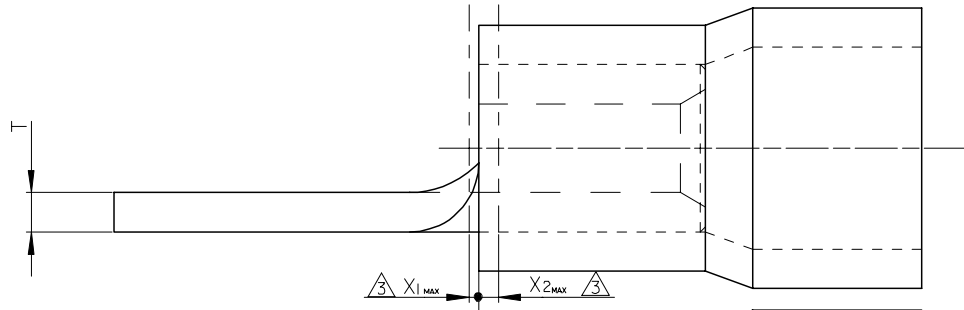
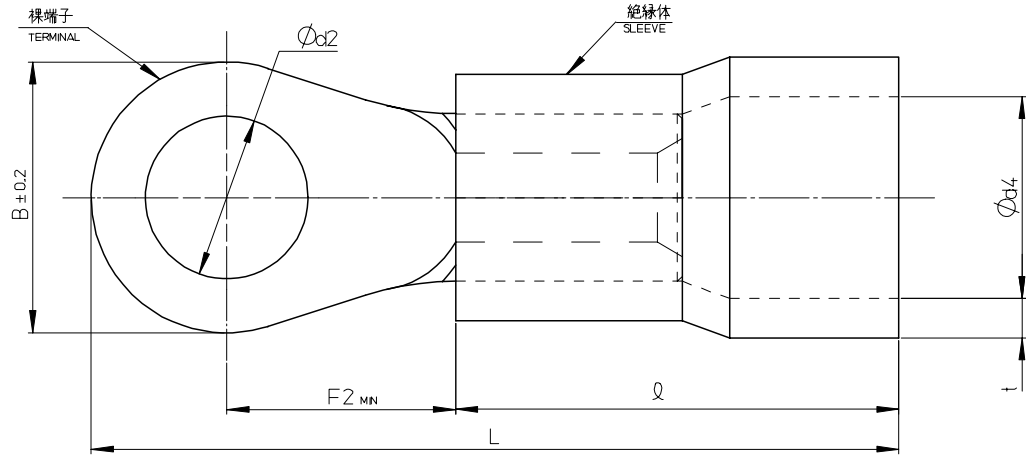


Need more information on product environmental compliance?

Email productcompliance@molex.com
 For a multiple part number RoHS Certificate of Compliance, [click here](#)

Please visit the [Contact Us](#) section for any non-product compliance questions.

Search Parts in this Series
[50231Series](#)



注記NOTES

1. 材質 MATERIAL

裸端子：無酸素銅、スズメッキ
 TERMINAL: OXYGEN FREE COPPER, TIN PLATING
 ろう付け部：りん銅ろう
 BRAZING: COPPER PHOSPHORUS BRAZING FILLER METALS
 絶縁体：硬質塩化ビニル
 SLEEVE: RIGID PVC (POLYVINYLCHLORIDE)

2. 適用電線 APPLICABLE WIRE RANGE

ENG.NO.	単線(mm) SOLID WIRE	撚線(mm ²) STRAINED (mm) WIRE (mm ²)	AWG
50231-7*12	1.14-1.82	1.04-2.63	#16-#14

△ X₁ 及び X₂ 寸法は、裸端子の筒部と絶縁体とのずれを表す。
 X₁ AND X₂ SHOW THE OFFSET BETWEEN TERMINAL AND SLEEVE.

4. MATERIAL NOの説明
 LEGEND OF MATERIAL NO

50231-3△△*

- スリーブの色
 SLEEVE COLOR
- 0.....白 (WHITE)
 - 2.....赤 (RED)
 - 3.....黄 (YELLOW)
 - 4.....青 (BLUE)
 - 6.....緑 (GREEN)
 - 9.....透明 (TRANSPARENCY)

△ JIS規格品は50231-3544,-3584,-3594,-3614,-3624のみ。

JISマークはJIS認定品のみ舌部に刻印する。
 50231-3544,-3584,-3594,-3614,-3624 ARE BASED ON JIS STANDARD.
 JIS MARK SHOULD BE STAMPED AT TONGUE PART ONLY IN THE RECOGNITION GOODS.

△ JIS規格品の寸法の最小値は、基本寸法の80%とする。

IN CASE OF JIS STANDARD PRODUCT, LOWER LIMIT IS 80% OF 't'

RELEASED EC NO: J2007-1398 DRWNG: ITO 2006/11/29 CHKD: KASAHARA 2006/11/29 APPR: NUKITA 2006/11/30	GENERAL TOLERANCES (UNLESS SPECIFIED)		DIMENSION STYLE MM ONLY		SCALE ---	DESIGN UNITS METRIC	THIRD ANGLE PROJECTION
	10 UNDER	± ---	DRAWN BY K. ITO	DATE 2006/10/27	TITLE INSULATED RING TERMINAL		
	10 OVER 30 UNDER	± ---	CHECKED BY K. KASAHARA	DATE 2006/10/27	MOLEX INCORPORATED		
	30 OVER	± ---	APPROVED BY N. UKITA	DATE 2006/10/27	DOCUMENT NO. SD-50231-001		
	ANGULAR	± --- °	MATERIAL NO. SEE CHART		SHEET NO. 1 OF 2		
0	DRAFT WHERE APPLICABLE MUST REMAIN WITHIN DIMENSIONS		SIZE A3		THIS DRAWING CONTAINS INFORMATION THAT IS PROPRIETARY TO MOLEX INCORPORATED AND SHOULD NOT BE USED WITHOUT WRITTEN PERMISSION		

10 9 8 7 6 5 4 3 2 1

F

E

D

C

B

A

透明 TRANSPARENCY	緑 GREEN	青 BLUE	黄 YELLOW	赤 RED	白 WHITE	スリーブの色 SLEEVE COLOR
50231-3649	50231-3646	50231-3644	50231-3643	50231-3642	50231-3640	12
↑ -3629	↑ -3636	↑ -3634	↑ -3633	↑ -3632	↑ -3630	10
-3629	-3626	-3624	-3623	-3622	-3620	8
-3619	-3616	JIS -3614	-3613	-3612	-3610	6
-3609	-3606	-3604	-3603	-3602	-3600	S5
-3599	-3596	JIS -3594	-3593	-3592	-3590	5
-3589	-3586	-3584	-3583	-3582	-3580	4
-3579	-3576	-3574	-3573	-3572	-3570	RBV 2 S4
-3569	-3566	-3564	-3563	-3562	-3560	M4
-3559	-3556	-3554	-3553	-3552	-3550	L3.5
-3549	-3546	JIS -3544	-3543	-3542	-3540	3.5
-3539	-3536	-3534	-3533	-3532	-3530	M3.5
-3529	-3526	-3524	-3523	-3522	-3520	L3
↓ -3519	↓ -3516	↓ -3514	↓ -3513	↓ -3512	↓ -3510	M3
50231-3509	50231-3506	50231-3504	50231-3503	50231-3502	50231-3500	3
△ ENG NO.	△ ENG NO.	△ ENG NO.	△ ENG NO.	△ ENG NO.	△ ENG NO.	呼び NOMINAL SIZE
						MODEL NO.

F

E

D

C

B

A

0.8 ^{+0.1} _{-0.05}	0.8 [△] _{MN}	4.8 ^{+0.5} _{MN}	9.0 [±] _{MN}	0.5	1.0	31.3 [±] _{M1}	13.3 [±] _{M1}	13 ^{+0.2} _{M2}	17	RBV 2	12	50231-364*
28.4 [±] _{M1}	11.7 [±] _{M1}	10.5 ^{+0.2} _{M2}	14.5 [±] _{M1}			28.0 ^{MAX} _{M1}	9	8.4 ^{+0.2} _{M2}	12		12	10
0.8 ^{+0.1} _{-0.05}	0.8 [△] _{MN}	4.8 ^{+0.5} _{MN}	9.0 [±] _{MN}	0.5	1.0	20.9 [±] _{M1}	7.2 [±] _{M1}	5.3 ^{+0.2} _{M2}	8.5	RBV 2	8	-362*
23.5 ^{MAX} _{M1}	7	5.3 ^{+0.2} _{M2}	9.5			23.0 ^{MAX} _{M1}	6	4.3 ^{+0.2} _{M2}	8.5		6	-361*
0.8 ^{+0.1} _{-0.05}	0.8 [△] _{MN}	4.8 ^{+0.5} _{MN}	9.0 [±] _{MN}	0.5	1.0	19.9 [±] _{M1}	7.6 [±] _{M1}	4.3 ^{+0.2} _{M2}	6.6	RBV 2	5	-360*
18.3 [±] _{M1}	6	3.7 ^{+0.2} _{M2}	6.6			20.4 [±] _{M1}	7.6 [±] _{M1}	3.7 ^{+0.2} _{M2}	6.6		4	-358*
0.8 ^{+0.1} _{-0.05}	0.8 [△] _{MN}	4.8 ^{+0.5} _{MN}	9.0 [±] _{MN}	0.5	1.0	23.0 ^{MAX} _{M1}	4	3.7 ^{+0.2} _{M2}	6.6	RBV 2	4	-357*
18.3 [±] _{M1}	6	3.2 ^{+0.2} _{M2}	5.5			16.8 [±] _{M1}	4	6.6	6.6		3.5	-356*
0.8 ^{+0.1} _{-0.05}	0.8 [△] _{MN}	4.8 ^{+0.5} _{MN}	9.0 [±] _{MN}	0.5	1.0	16.8 [±] _{M1}	4	3.2 ^{+0.2} _{M2}	5.5	RBV 2	3.5	-354*
16.8 [±] _{M1}	4	6.6	6.6			18.3 [±] _{M1}	6	5.5	5.5		M3.5	-353*
0.8 ^{+0.1} _{-0.05}	0.8 [△] _{MN}	4.8 ^{+0.5} _{MN}	9.0 [±] _{MN}	0.5	1.0	16.8 [±] _{M1}	4	3.2 ^{+0.2} _{M2}	5.5	RBV 2	L3	-352*
16.8 [±] _{M1}	4	6.6	6.6			16.8 [±] _{M1}	4	6.6	6.6		M3	7
T	t	∅d4	ℓ	X2	X1	L	F2	∅d2	B	呼び NOMINAL SIZE	ENG.NO.	

RELEASED EC NO: J2007-1398 DRWNG: ITO 2006/11/29 CHKD: KASAHARA 2006/11/29 APPR: NUKITA 2006/11/30	GENERAL TOLERANCES (UNLESS SPECIFIED)		DIMENSION STYLE		SCALE	DESIGN UNITS	THIRD ANGLE PROJECTION		
	10 UNDER		± ---	MM ONLY		---	METRIC	⊙ □	
	10 OVER 30 UNDER		± ---	DRAWN BY DATE		TITLE			
	30 OVER		± ---	K. ITO 2006/10/27		INSULATED RING TERMINAL			
	ANGULAR ± --- °			CHECKED BY DATE		MOLEX MOLEX INCORPORATED			
DRAFT WHERE APPLICABLE MUST REMAIN WITHIN DIMENSIONS			APPROVED BY DATE		DOCUMENT NO.		SHEET NO.		
0			N. UKITA 2006/10/27		SD-50231-001		2 OF 2		
			MATERIAL NO.		SEE CHART				
			SIZE		THIS DRAWING CONTAINS INFORMATION THAT IS PROPRIETARY TO MOLEX INCORPORATED AND SHOULD NOT BE USED WITHOUT WRITTEN PERMISSION				
			A3						