

**PLEASE CHECK WWW.MOLEX.COM FOR LATEST PART INFORMATION**

**Part Number:** **0502257112**  
**Status:** **Active**  
**Description:** Ring Tongue Terminal for 14-16 AWG, Closed Uninsulated Brazed Barrel, Stud Size 6 (M3.5), Oxygen-Free Copper, Length 14.40mm (.567")

**Documents:**

[Drawing \(PDF\)](#) [RoHS Certificate of Compliance \(PDF\)](#)  
[Product Specification PS-50224-001 \(PDF\)](#)

**General**

Product Family	Ring and Spade Terminals
Series	<u>50225</u>
Crimp Quality Equipment	Yes
Mil-Spec	N/A
Product Name	R (Ring)
Type	Ring

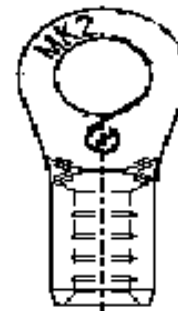
**Physical**

Barrel Type	Closed - Brazed
Insulation	None
Material - Plating Mating	Tin
Packaging Type	Bag
Plating min: Mating (µin)	40
Plating min: Mating (µm)	1
Plating min: Termination (µin)	40
Plating min: Termination (µm)	1
Stud Size	6 (M3.5)
Termination Interface: Style	Crimp or Compression
Wire Size AWG	14, 16
Wire Size mm <sup>2</sup>	1.04 - 2.63

**Material Info**

**Reference - Drawing Numbers**

Product Specification	PS-50224-001
Sales Drawing	SD-50225-001



*Series*  
*image - Reference only*

**EU RoHS**

**ELV and RoHS Compliant**  
**REACH SVHC**  
 Not Reviewed  
**Halogen-Free Status**  
 Not Reviewed

**China RoHS**



**Need more information on product environmental compliance?**

Email [productcompliance@molex.com](mailto:productcompliance@molex.com)  
 For a multiple part number RoHS Certificate of Compliance, [click here](#)

Please visit the [Contact Us](#) section for any non-product compliance questions.

**Search Parts in this Series**

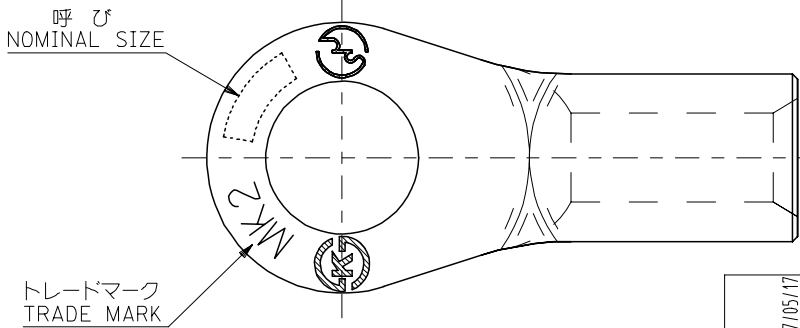
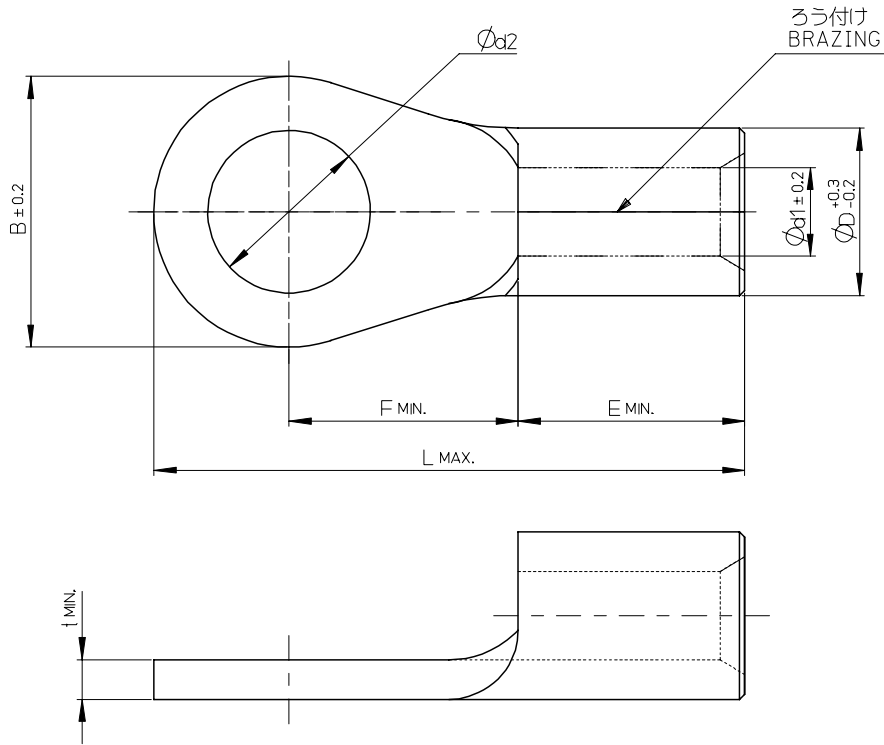
[50225Series](#)

**Application Tooling | [FAQ](#)**

*Tooling specifications and manuals are found by selecting the products below. Crimp Height Specifications are then contained in the Application Tooling Specification document.*

**Japan**

Description	Product #
Hand Crimper For JIS Terminal	<a href="#">0572575000</a>
Hand Crimper For JIS Terminal	<a href="#">0573435002</a>



注記 NOTES

- 材質 MATERIAL  
 端子：無酸素銅、錫めっき  
 TERMINAL: OXYGEN-FREE COPPER, TIN PLATING  
 ろう付け部：りん銅ろう  
 PART OF BRAZING : COPPER PHOSPHORUS BRAZING FILLER METALS
- 適用電線 APPLICABLE WIRE RANGE

単線 SOLID WIRE	撚線 STRANDED WIRE
1.14 ~ 1.82 mm	1.04 ~ 2.63 mm <sup>2</sup>

△ JIS認定品にのみ刻印。  
 DIE STAMPED MARK IS ALLOWED ONLY  
 FOR JIS FILED PRODUCTS.

JIS	0.8	6.4 <sup>+0.4</sup>	22	7	4.1	2.3	4.2	15	2	6	50225-7412
JIS		5.3 <sup>+0.2</sup>	17.5	7				9.5		5	50225-7312
JIS		4.3 <sup>+0.2</sup>	17	6				8.5		4	50225-7212
JIS		3.7 <sup>+0.2</sup>		4				6.6		3.5	50225-7112
△	t	Ød <sub>2</sub>	L	F	E	Ød <sub>1</sub>	ØD	B	呼び NOMINAL SIZE	Ø	ENG. NO.

RELEASED EC NO: J2007-0312 DRW: H.YAJIMA 2007/05/17 CHK: K.KASAHARA 2007/05/18 APPR: NUKITA 2007/05/18	GENERAL TOLERANCES (UNLESS SPECIFIED)		DIMENSION STYLE MM ONLY		SCALE ---	DESIGN UNITS METRIC	THIRD ANGLE PROJECTION	
	10 UNDER	± 0.2	DRAWN BY H. YAJIMA		DATE 2006/10/25		TITLE RING TERMINAL	
	10 OVER 30 UNDER	± 0.25	CHECKED BY K. KASAHARA		DATE 2006/10/25			
	30 OVER	± 0.3	APPROVED BY N. UKITA		DATE 2006/10/25		MOLEX INCORPORATED	
	ANGULAR	± 3 °	MATERIAL NO.		DOCUMENT NO.		SHEET NO.	
0	DRAFT WHERE APPLICABLE MUST REMAIN WITHIN DIMENSIONS		SIZE A3		SEE CHART		SD-50225-001	
THIS DRAWING CONTAINS INFORMATION THAT IS PROPRIETARY TO MOLEX INCORPORATED AND SHOULD NOT BE USED WITHOUT WRITTEN PERMISSION								