

**PLEASE CHECK WWW.MOLEX.COM FOR LATEST PART INFORMATION**

**Part Number:** [0482009232](#)  
**Status:** **Active**  
**Overview:**  
**Description:** 1.27mm (.050") Pitch Compact PCI Slot, Board-to-Board Edge Card Connector, Vertical, Double-Sided, Dual Read-Out, White, with Plastic Peg, 0.38µm (15µ") Gold (Au) Plating, Voltage 3.3V, 184 Circuits, Lead Free

**General**

Product Family	Edge Card Connectors
Series	<a href="#">48200</a>
Comments	3V Card Configuration
Component Type	Edgecard to PCB
Overview	edge_card_connectors
Product Name	Edge Card

**Physical**

Circuits (Loaded)	184
Circuits (maximum)	184
Circuits Detail	All Signal
Durability (mating cycles max)	50
Entry Angle	Vertical (Top Entry)
Keying to Mating Part	Yes
Material - Plating Mating	Gold
Material - Plating Termination	Tin
PC Tail Length (in)	0.118 In
PC Tail Length (mm)	3.00 mm
PCB Locator	Yes
PCB Retention	Yes
PCB Thickness Recommended (in)	0.062 In
PCB Thickness Recommended (mm)	1.60 mm
Packaging Type	Tray
Pitch - Mating Interface (in)	0.050 In
Pitch - Mating Interface (mm)	1.27 mm
Plating min: Mating (µin)	15
Plating min: Mating (µm)	0.38
Polarized to Mating Part	Yes
Temperature Range - Operating	-10°C to +85°C
Termination Interface: Style	Through Hole

**Electrical**

Current - Maximum per Contact	1A
Voltage - Maximum	30V

**Solder Process Data**

Duration at Max. Process Temperature (seconds)	10
Lead-free Process Capability	Wave Capable (TH only)
Max. Cycles at Max. Process Temperature	1
Process Temperature max. C	260

**Material Info**

**Reference - Drawing Numbers**

Packaging Specification	PK-48200-001
Product Specification	PS-48200-001
Sales Drawing	SD-48200-001
Test Summary	TS-48200-001

**EU RoHS**

**ELV and RoHS  
Compliant**  
**REACH SVHC  
Contains SVHC: No**  
**Halogen-Free  
Status**

**China RoHS**



**Not Halogen-Free**

**Need more information on product environmental compliance?**

Email [productcompliance@molex.com](mailto:productcompliance@molex.com)  
 For a multiple part number RoHS Certificate of Compliance, [click here](#)

Please visit the [Contact Us](#) section for any non-product compliance questions.

**Search Parts in this Series**

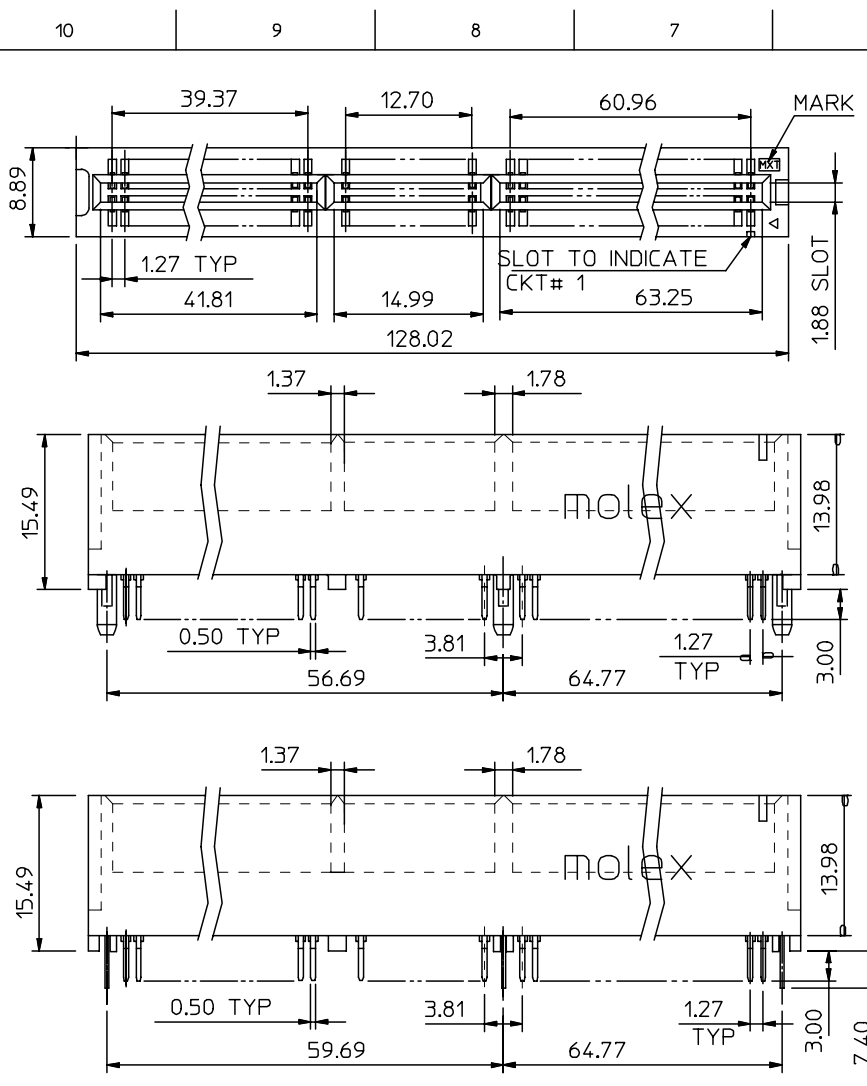
[48200Series](#)

**Mates With**

64-bit PCI card

This document was generated on 06/04/2010

**PLEASE CHECK [WWW.MOLEX.COM](http://WWW.MOLEX.COM) FOR LATEST PART INFORMATION**



NOTES:

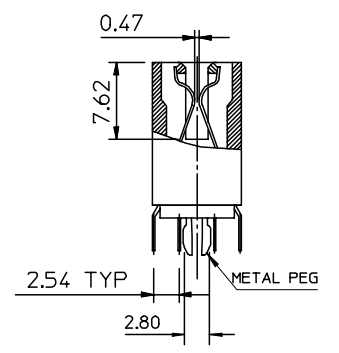
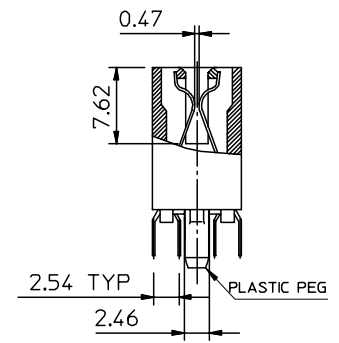
1. MATERIAL:

HOUSING : PPS  
 TERMINAL: PHOSPHOR BRONZE



2.FINISH 0 - GOLD FLASH IN CONTACT AREA, 1.52um/60uin MIN. TIN IN SOLDER TAIL, BOTH OVER 0.76um/30uin MIN. NICKEL OVERALL.

- 1 - 0.25um/10uin MIN. GOLD IN CONTACT AREA, 1.52um/60uin MIN. TIN IN SOLDER TAIL, BOTH OVER 0.76um/30uin MIN. NICKEL OVERALL.
- 2 - 0.38um/15uin MIN. GOLD IN CONTACT AREA, 1.52um/60uin MIN. TIN IN SOLDER TAIL, BOTH OVER 0.76um/30uin MIN. NICKEL OVERALL.
- 3 - 0.76um/30uin MIN. GOLD IN CONTACT AREA, 1.52um/60uin MIN. TIN IN SOLDER TAIL, BOTH OVER 0.76um/30uin MIN. NICKEL OVERALL.
- 4 - 0.50um/20uin MIN. GOLD IN CONTACT AREA, 1.52um/60uin MIN. TIN IN SOLDER TAIL, BOTH OVER 0.76um/30uin MIN. NICKEL OVERALL.



- 3. PRODUCT SPECIFICATION REFER TO PS-48200-001.
- 4. PRODUCT SPECIFICATION : PER PS-48200-001
- 5. TEST SUMMARY : PER TS-48200-001
- 6. PACKAGE SPECIFICATION : PK-48200-001
- 7. LEAD FREE AND ROHS COMPLIANT PRODUCT

PART NO. LEGEND : 48200 - 92\*\*

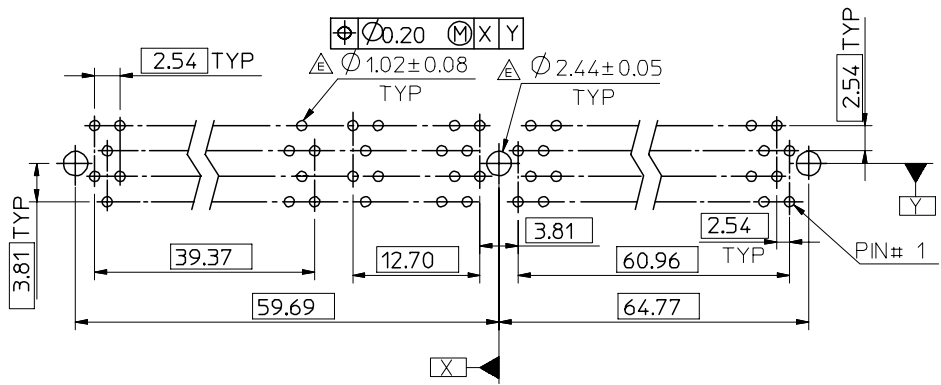
PEG VERSION, COLOR \_\_\_\_\_ PLATING VERSION (REFER TO NOTES 2)  
 0:STANDARD , BROWN , 5V, PLASTIC PEG  
 1:STANDARD , WHITE , 5V, PLASTIC PEG  
 5:STANDARD , WHITE , 5V, METAL PEG

DRAWING ERROR	EC NO: 2007/03/05	QUALITY SYMBOLS	GENERAL TOLERANCES (UNLESS SPECIFIED)		DIMENSION STYLE		SCALE	DESIGN UNITS	THIRD ANGLE PROJECTION	
	DRWN:ALLIN		mm	INCH	2:1	METRIC				
	CHKD: 2007/03/09				DRAWN BY		TITLE			
	APPR:WWSCHANG				DATE		DATE			
REV	DESCRIPTION		DRAFT WHERE APPLICABLE MUST REMAIN WITHIN DIMENSIONS		SEE TABLE		DOCUMENT NO.		SHEET NO.	
					MATERIAL NO.		SD-48200-001		1 OF 4	
THIS DRAWING CONTAINS INFORMATION THAT IS PROPRIETARY TO MOLEX INCORPORATED AND SHOULD NOT BE USED WITHOUT WRITTEN PERMISSION										

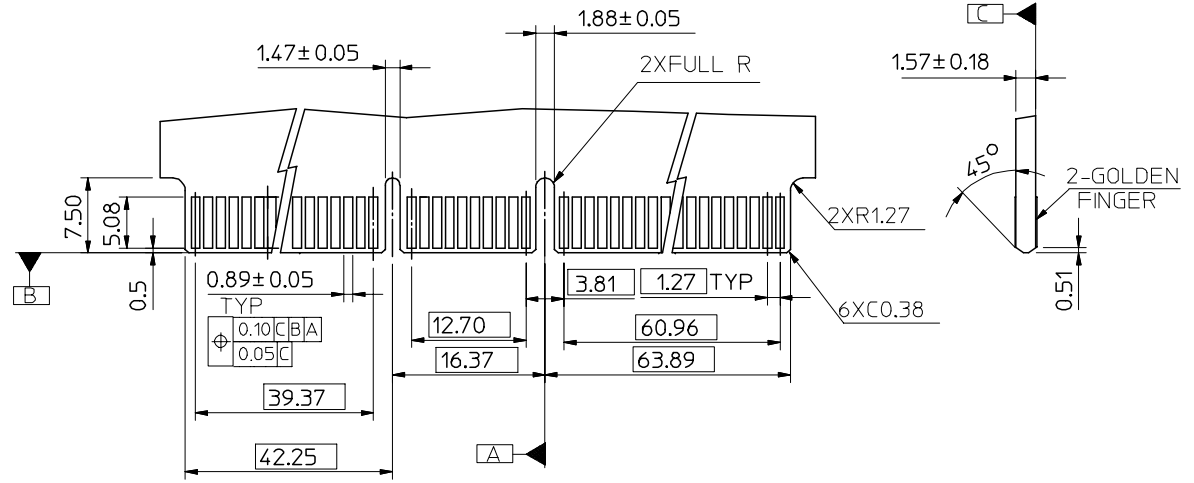
10 9 8 7 6 5 4 3 2 1

F  
E  
D  
C  
B  
A

F  
E  
D  
C  
B  
A



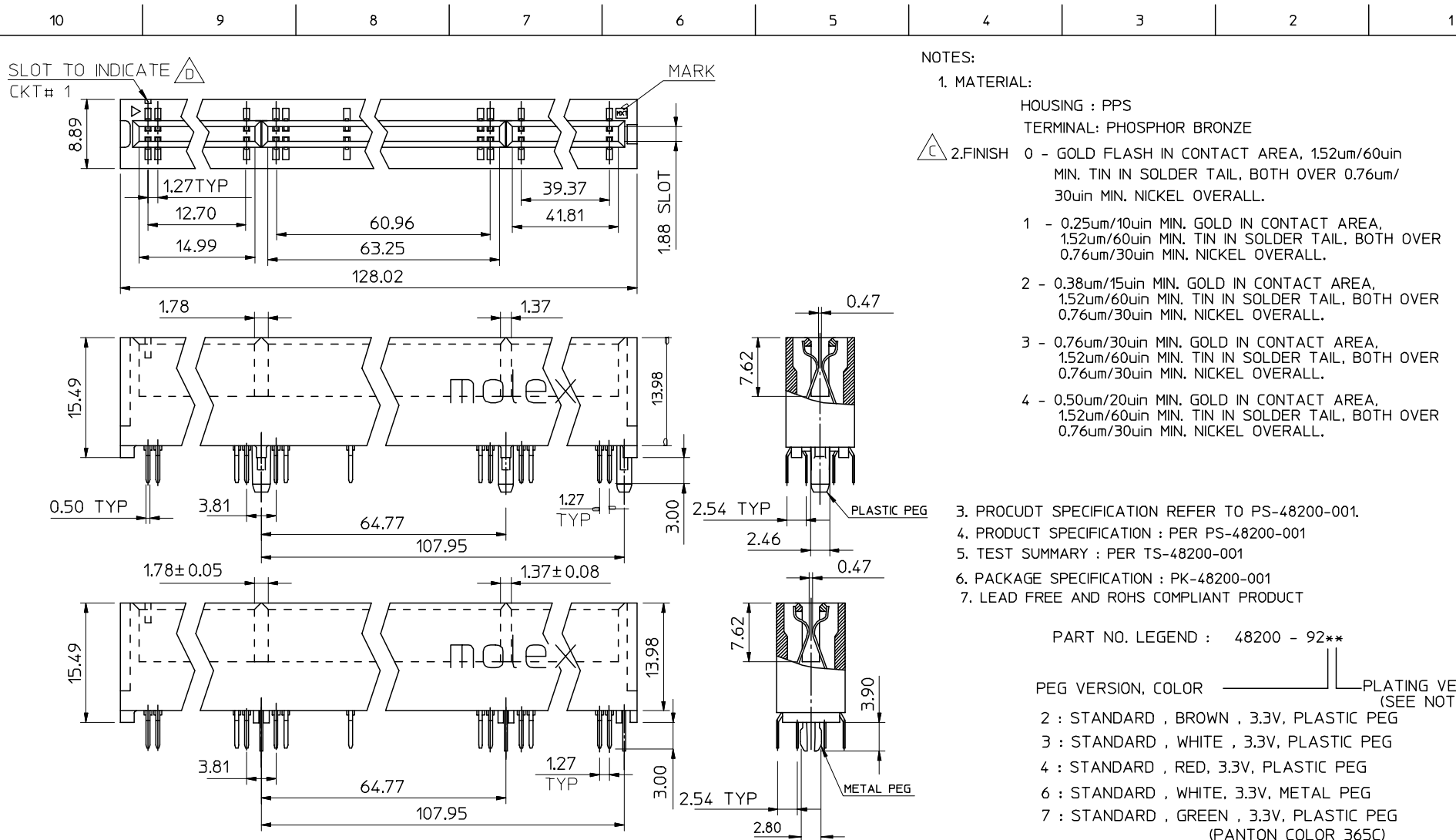
RECOMMENDED P.C. BOARD PATTERN



RECOMMENDED MATING P.C. BOARD EDGE CONFIGURATION

SEE SHEET 1 EC NO: SH2007-0620 DRWN: ALLIN CHKD: APPR: WWSCHANG	2007/03/05 2007/03/09 2007/03/13	QUALITY SYMBOLS ▽=0 ▽=0	GENERAL TOLERANCES (UNLESS SPECIFIED) mm INCH	DIMENSION STYLE MM ONLY	SCALE 2:1	DESIGN UNITS METRIC	THIRD ANGLE PROJECTION
	4 PLACES ± --- ± --- 3 PLACES ± --- ± --- 2 PLACES ± 0.25 ± --- 1 PLACE ± 0.25 ± ---	DRAWN BY TOM CHECKED BY ALL IN APPROVED BY WWSCHANG	DATE 2005/02/04 DATE 2005/02/04 DATE 2005/02/04	TITLE ASS'Y 1.27MM EDGE CARD CONN 184 CKT (3.3V & 5V)	MATERIAL NO. SEE TABLE	DOCUMENT NO. SD-48200-001	SHEET NO. 2 OF 4
	DRAFT WHERE APPLICABLE MUST REMAIN WITHIN DIMENSIONS	SIZE A3	THIS DRAWING CONTAINS INFORMATION THAT IS PROPRIETARY TO MOLEX INCORPORATED AND SHOULD NOT BE USED WITHOUT WRITTEN PERMISSION				
	MOLEX INCORPORATED						

9 8 7 6 5 4 3 2 1



NOTES:

1. MATERIAL:

HOUSING : PPS  
 TERMINAL: PHOSPHOR BRONZE



- 2.FINISH 0 - GOLD FLASH IN CONTACT AREA, 1.52um/60uin MIN. TIN IN SOLDER TAIL, BOTH OVER 0.76um/30uin MIN. NICKEL OVERALL.  
 1 - 0.25um/10uin MIN. GOLD IN CONTACT AREA, 1.52um/60uin MIN. TIN IN SOLDER TAIL, BOTH OVER 0.76um/30uin MIN. NICKEL OVERALL.  
 2 - 0.38um/15uin MIN. GOLD IN CONTACT AREA, 1.52um/60uin MIN. TIN IN SOLDER TAIL, BOTH OVER 0.76um/30uin MIN. NICKEL OVERALL.  
 3 - 0.76um/30uin MIN. GOLD IN CONTACT AREA, 1.52um/60uin MIN. TIN IN SOLDER TAIL, BOTH OVER 0.76um/30uin MIN. NICKEL OVERALL.  
 4 - 0.50um/20uin MIN. GOLD IN CONTACT AREA, 1.52um/60uin MIN. TIN IN SOLDER TAIL, BOTH OVER 0.76um/30uin MIN. NICKEL OVERALL.

3. PROCUDT SPECIFICATION REFER TO PS-48200-001.  
 4. PRODUCT SPECIFICATION : PER PS-48200-001  
 5. TEST SUMMARY : PER TS-48200-001  
 6. PACKAGE SPECIFICATION : PK-48200-001  
 7. LEAD FREE AND ROHS COMPLIANT PRODUCT

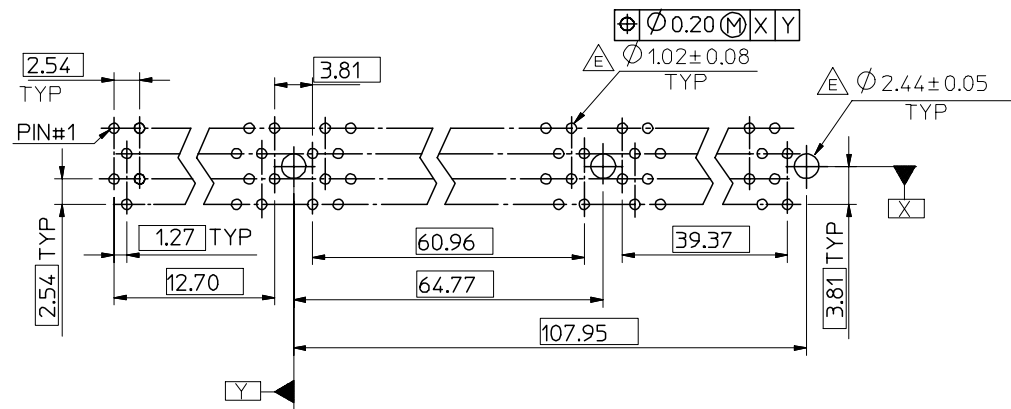
PART NO. LEGEND : 48200 - 92\*\*

- PEG VERSION, COLOR \_\_\_\_\_ PLATING VERSION (SEE NOTES 2)  
 2 : STANDARD , BROWN , 3.3V, PLASTIC PEG  
 3 : STANDARD , WHITE , 3.3V, PLASTIC PEG  
 4 : STANDARD , RED , 3.3V, PLASTIC PEG  
 6 : STANDARD , WHITE, 3.3V, METAL PEG  
 7 : STANDARD , GREEN , 3.3V, PLASTIC PEG (PANTON COLOR 365C)  
 8 : STANDARD , BLACK , 3.3V, PLASTIC PEG

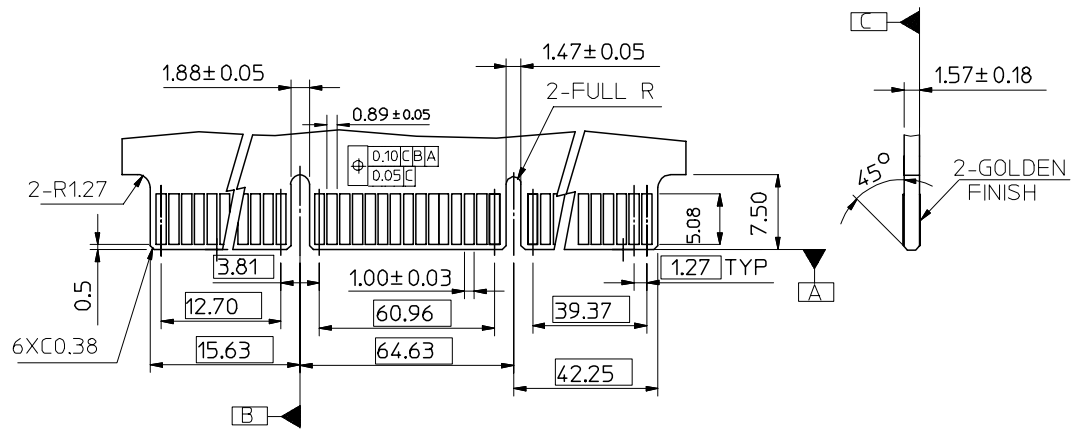
SEE SHEET 1 EC NO: SH2007-0620 DRWN:ALLIN CHKD: APPR:WWSCHANG 2007/03/05 2007/03/09 2007/03/13	QUALITY SYMBOLS	GENERAL TOLERANCES (UNLESS SPECIFIED)	DIMENSION STYLE	SCALE	DESIGN UNITS	THIRD ANGLE PROJECTION															
	$\nabla=0$ $\triangle=0$	<table border="1"> <thead> <tr> <th></th> <th>mm</th> <th>INCH</th> </tr> </thead> <tbody> <tr> <td>4 PLACES</td> <td>± ---</td> <td>± ---</td> </tr> <tr> <td>3 PLACES</td> <td>± ---</td> <td>± ---</td> </tr> <tr> <td>2 PLACES</td> <td>± 0.25</td> <td>± ---</td> </tr> <tr> <td>1 PLACE</td> <td>± 0.25</td> <td>± ---</td> </tr> </tbody> </table>		mm	INCH	4 PLACES	± ---	± ---	3 PLACES	± ---	± ---	2 PLACES	± 0.25	± ---	1 PLACE	± 0.25	± ---	MM ONLY	2:1	METRIC	
		mm	INCH																		
	4 PLACES	± ---	± ---																		
3 PLACES	± ---	± ---																			
2 PLACES	± 0.25	± ---																			
1 PLACE	± 0.25	± ---																			
			DRAWN BY	DATE	TITLE																
			TOM	2005/02/04	ASS'Y 1.27MM EDGE CARD CONN 184 CKT (3.3V & 5V)																
			CHECKED BY	DATE																	
			ALL IN	2005/02/04																	
			APPROVED BY	DATE																	
			WWSCHANG	2005/02/04	MOLEX INCORPORATED																
			MATERIAL NO.	DOCUMENT NO.		SHEET NO.															
			SEE TABLE	SD-48200-001		3 OF 4															
			DRAFT WHERE APPLICABLE MUST REMAIN WITHIN DIMENSIONS																		
			THIS DRAWING CONTAINS INFORMATION THAT IS PROPRIETARY TO MOLEX INCORPORATED AND SHOULD NOT BE USED WITHOUT WRITTEN PERMISSION																		

10 9 8 7 6 5 4 3 2 1

F  
E  
D  
C  
B  
A



RECOMMENDED P.C BOARD PATTERN



RECOMMENDED MATING P.C. BOARD EDGE CONFIGURATION

SEE SHEET 1 EC NO: SH2007-0620 DRWN: ALLIN CHKD: APPR: WWSCHANG	2007/03/05 2007/03/09 2007/03/13	DESCRIPTION REV	QUALITY SYMBOLS	GENERAL TOLERANCES (UNLESS SPECIFIED)	DIMENSION STYLE	SCALE	DESIGN UNITS	THIRD ANGLE PROJECTION
			$\nabla = 0$ $\nabla C = 0$	mm    INCH	MM ONLY	2:1	METRIC	◯    □    ▽
			4 PLACES ± --- ± --- 3 PLACES ± --- ± --- 2 PLACES ± 0.25 ± --- 1 PLACE ± 0.25 ± --- ANGULAR ± 3 °	DRAWN BY: TOM CHECKED BY: ALL IN APPROVED BY: WWSCHANG MATERIAL NO.	DATE: 2005/02/04 DATE: 2005/02/04 DATE: 2005/02/04	TITLE: ASS'Y 1.27MM EDGE CARD CONN 184 CKT (3.3V & 5V)	MOLEX INCORPORATED	
			DRAFT WHERE APPLICABLE MUST REMAIN WITHIN DIMENSIONS	SEE TABLE	DOCUMENT NO. SD-48200-001	SHEET NO. 4 OF 4		

9 8 7 6 5 4 3 2 1